

STANDARD MAINTENANCE AND TROUBLESHOOTING

REPLACING THE CARTRIDGE

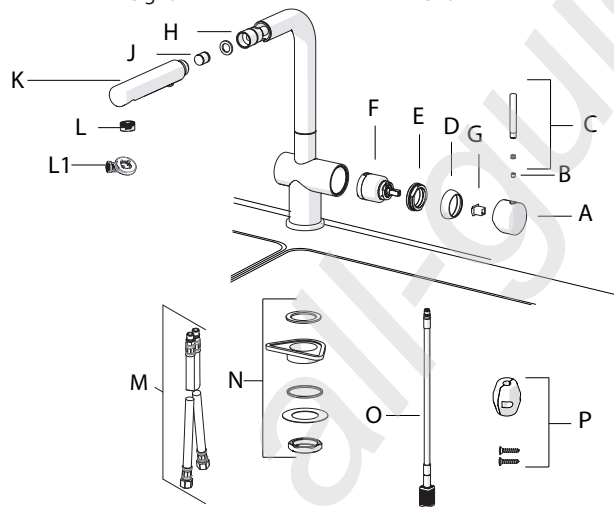
1. Shut off the water supply to the faucet.
2. Turn on the faucet briefly to relieve any pressure inside the faucet.
3. Move the faucet handle to the "OFF" position.
4. Unscrew lever handle C and remove sleeve.
5. Remove the screw B using an allen key.
6. Pull the lever base A from the body .
7. Unscrew the cap D.
8. Unscrew the cartridge lock nut E.
9. Lift ceramic disk cartridge F from the body and replace it with new cartridge. Ensure the two lugs on bottom of the cartridge sit properly in the allocated holes at the base of the body.
10. Re-assemble faucet in reverse order.
11. Test for leakage.

GENERAL MAINTENANCE

Clean aerator periodically for any buildup .
Do not use harsh detergents, solvents, chemical agents, metallic sponges, etc. that could harm the surface and damage the finish.
Clean only with a soft sponge and soapy water.

SPARE / REPLACEMENT LIST

A+B+C+G	Handle assembly	F3801*	*Must specify finish
D.	Cap	F3802*	CH chrome
E.	Lock nut	F3803	SN satin nickel
F.	Cartridge	F3804	ON onyx
H.	Pull out hose	F3805	MO mocha
J+K+L+L1	Pull out spray assembly+key	F3807*	ST storm
J.	Check Valve 1.75 gpm	F3706	OY oyster
L.	Aerator	F3808	CM champagne
M.	Supply hoses	F3809	VA vanilla
N.	Mounting hardware kit	F3810	
O.	Pull out supply hose	F3811	
P.	Weight	F3102	



LIMITED LIFETIME WARRANTY

Franke Kitchen Systems,LLC extends the following warranty to the original purchaser of its faucets effective January 1, 2003.

All faucets installed in a private residence will carry a limited lifetime warranty on all mechanical parts to be free of manufacturing defects in material and workmanship under normal usage. All chrome finishes carry a limited lifetime warranty; all other finishes are warranted for five (5) years from the original date of purchase.

Marine and Outdoor Installation: Franke faucets are NOT warranted for Marine and Outdoor installations.

This warranty applies only to the original owner, providing the product has been installed in accordance with our installation instructions, used as recommended and in a normal residential application. In the event of a warranty claim, the owner will be required to provide proof of purchase - save sales receipt. This warranty covers all components which make the product operational. Franke, at its option, may repair or replace the product or components necessary to restore the product to good working condition. Franke reserves the right to inspect the installation prior to the actual replacement of the product or component part. This warranty does not cover misuse or abuse, accidental damages, scuffs or scratches, improper installation, abnormal usage, negligence or damage caused by improper maintenance or cleaning. Normal wear of parts is excluded from the warranty. Damage caused by impurities or acts beyond our control are not covered. Any product or part which has been repaired or altered in any manner outside of Franke's factory, unless previously authorized in writing by Franke, will void warranty. **Any replacement excludes transportation and any labor re-installation costs.** This warranty does not allow recovery of incidental or consequential damages such as loss of use, delay, property damage or other consequential damage, and Franke accepts no liability for such damages.

The Franke warranty is limited to the above conditions and to the warranty period specified herein and is exclusive. Franke DISCLAIMS all other warranties, expressed or implied, including IMPLIED WARRANTIES OF MERCHANTABILITY AND/OR FITNESS FOR A PARTICULAR PURPOSE. This warranty gives you specific legal rights that may vary from state to state.

Further information

For any further information about our products, about the installation of them or about the guarantee, please contact our customer service department:

Franke Kitchen Systems
800 Aviation Parkway
Smyrna, TN 37167, USA
Phone: 800-626-5771
Email: ks-customerservice.us@franke.com

INSTALLATION MANUAL ACTIVE PLUS

FF3800 - FF3880
FF3801 - FF3802 - FF3803
FF3804 - FF3805 - FF3806



ISTRBARR217#C08960


REV.1 11/2016

MAKE IT WONDERFUL



TECHNICAL DATA

Flow Rate 1.75 GPM at 45 PSI
 Recommended Water Pressure 30-75 PSI
 Max. Water Pressure 145 PSI
 Recommended Hot Water Temp. 120°-140° F
 Hole Size For Faucet 1 3/8"

 Certifies this faucet complies with ASME A112.18.1 / CSA B125.1 & NSF 61, NSF 372 and AB1953

NOTE:

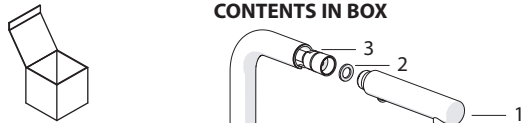
Contact us immediatly if you see inconsistencies.

Phone: (1- 800-626-5771)

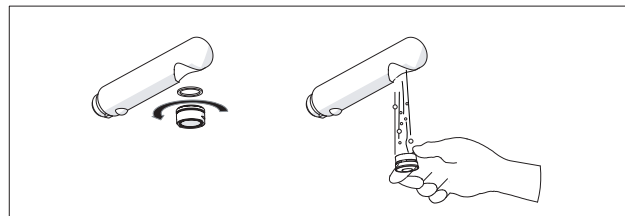
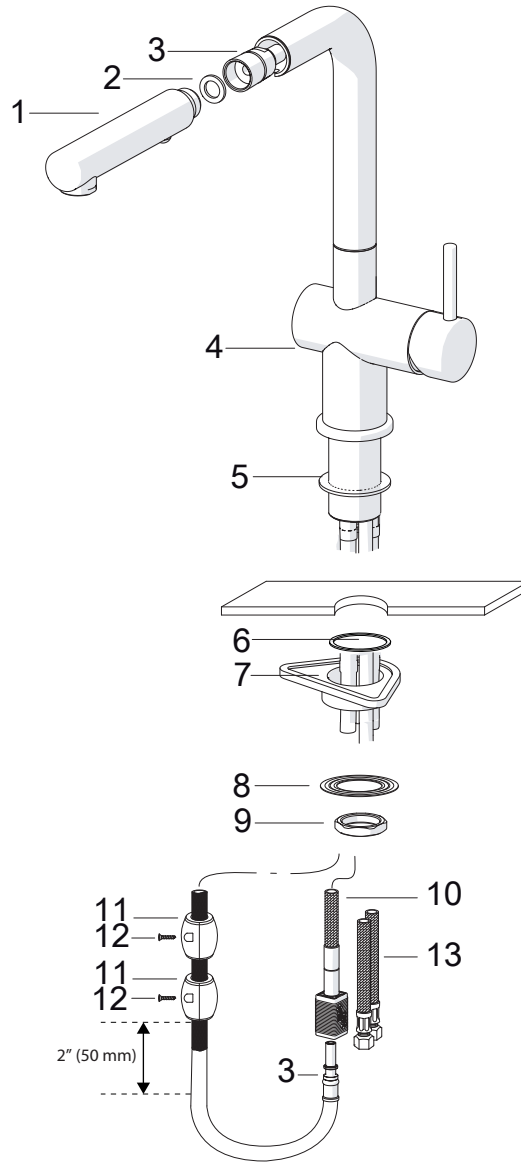
website: www.frankeksd.com

email: ks-customerservice.us@franke.com

CONTENTS IN BOX



- | | |
|---------------------------|-------------------------|
| 1 Pull out spray assembly | 8 Fixing plate |
| 2 Rubber washer | 9 Fixing nut |
| 3 Pull out hose | 10 Pull out supply hose |
| 4 Faucet assembly | 11 Weights |
| 5 Rubber washer | 12 Screws |
| 6 Rubber washer | 13 Supply hoses |
| 7 Plastic flange | 14 Aerator Wrench |



INSTALLATION INSTRUCTIONS

1. Remove all contents from the package and check for completeness.
2. Connect the pull out spray (1) to the pull out hose assy (3) hand tight. Ensure the rubber washer (2) is in place.
3. Turn off water supply.
4. Cut a mounting hole 1 3/8 diameter (35mm) in the desired position in counter top or sink (if one isn't available).

5. Place the rubber washer (5) over the hole.
ATTENTION: The washer should be sitting between the countertop and faucet base.
DO NOT use putty or other sealant at this location.

- NOTES:**
Solid surface installation: The countertop mounting surface needs to be flat and free of debris otherwise the faucet may not sit properly. For tile installations, avoid installing faucet near or on top of grout lines. This may cause a weak joint between the faucet and the counter and could cause leaks.

6. Install the mounting hardware to the base of faucet body in the following order - rubber washer (6), plastic flange (7), fixing plate (8) as shown.
7. Tighten with the fixing nut (9) on the base of faucet body.
8. Connect the pull out hose (3) to the pull out supply hose (10) using the quick connect fitting. Slide the quick connect fitting sleeve to the "open" position, insert the hose fitting into the connector. You should hear a "click". Slide the sleeve to the "lock" position, you should hear another "click". This will ensure the fitting is sealed and locked.

9. Place the weights (11) on the pull out hose (3) with the screws (12) approximately 2" (50mm) above the bend in the bottom of the pull out hose.

10. Connect the flexible supply hoses (13) to the water supply in the house.

11. Remove the aerator using 7/8" (22 mm) wrench, turn on water, flush the faucet for any debris and check for leaks. Reinstall the aerator and ensure everything is functioning properly.