



USER MANUAL
РУКОВОДСТВО ПО ЭКСПЛУАТАЦИИ

MBI453MaxPro | MBI558MaxPro | MBI552FDMaxPro

EN REFRIGERATORS

RU ВСТРАИВАЕМЫЕ
ХОЛОДИЛЬНИКИ



Made in China

English.....	3
Русский.....	106

Important information about installation and connection..... 4

Installation guide25

Safety information82

Important instructions regarding safety and environment83

Refrigerator components list89

Display panel set up instructions91

Before using the refrigerator94

Operating the product96




Care and cleaning 101

Trouble shooting 103

Important information about installation and connection

Symbols and their meanings

Symbols used in the installation manual are as follows.

	Note: Important information or useful usage tips.
	Warning: Conditions that may damage the product or its operating functions.
	Attention: Conditions containing serious injury risk.

Disposing the packaging materials

The package has been designed to protect the product during transport.

The packaging materials used for the product do not harm the nature during disposal and they need to be recycled.

All plastic packaging materials, bags etc. must be disposed safely and kept out of the reach of children. Please return the packaging to your dealer.



Warning

This installation manual has been prepared to help installation teams. The User Manual provided with the product must also be taken into consideration.

You may get seriously injured and your product may get damaged if you ignore the warnings given in this manual. Please read the following carefully.



Warning

R-600a Refrigerant

This product contains R-600a isobutane refrigerant, which is a very eco-friendly natural gas. However, it is also flammable. Please follow the warnings given below:

- If the product has been transported horizontally, you must wait for 4 hours minimum before plugging it in.
- The following instructions must be followed during installation.
- Dimensions of the installation area must be suitable.
- Dimensions, features and position of the object used to support and fix the product to this area must be suitable.
- Minimum clearances between product parts and surrounding structures must be suitable.
- Minimum dimensions and proper organization of ventilation holes must be observed.
- The product must be connected to the mains power, and corresponding connections of other components must be suitable.
- The product must be disconnectable from the power supply after installation.
- The socket for fuse must be accessible to de-energise the product.
- Extension cables or ungrounded (two-terminal) adapters must not be used.



Attention

You must wear gloves and eye protectors when installing the product.
You must also take measures against high noise levels when drilling the floor or using a drill.

Make sure that your product is suitable for your local mains.

The product must be installed by a qualified technician according to the installation instructions.



Warning

The product may tip over since it is quite heavy. For this reason, precautions must be taken against tipping over.

The doors of the product must be kept closed until it reaches the destination and it must be transported in accordance with the installation instructions.

Important information about installation and connection

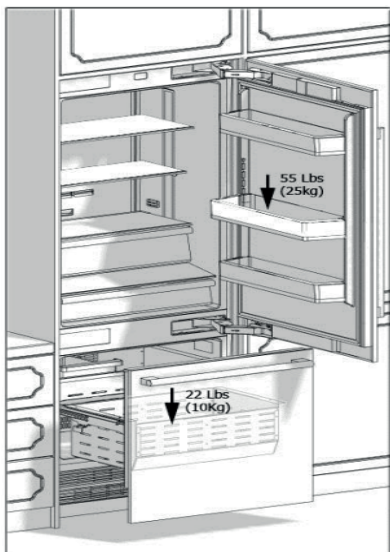
Climate range	Ambient temperature of the room	This appliance has been designed to be used in certain climate ranges (ambient temperatures). It must not be used out of this range.
SN N ST T	Between +50 °F (10 °C) and +90 °F (32 °C) Between +60 °F (16 °C) and +90 °F (32 °C) Between +60 °F (16 °C) and +110 °F (38 °C) Between +60 °F (16 °C) and +120 °F (43 °C)	

Product weight:

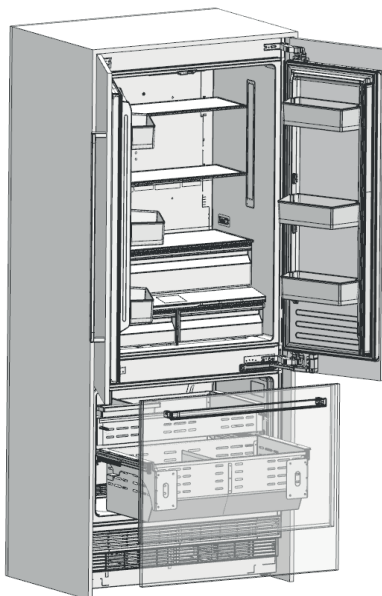
Category	MBI453MAXPRO	MBI558MAXPRO	MBI552FDMAXPRO
Product weight	361 lbs (164 kg)	373 lbs (169 kg)	355 lbs (161 kg)

Load bearing capacity of the doors

Max load	MBI453MAXPRO	MBI558MAXPRO	MBI552FDMAXPRO
Fridge door	55 lbs (25 kg)	55 lbs (25 kg)	22 lbs (10 kg)
Freezer door	22 lbs (10 kg)	22 lbs (10 kg)	22 lbs (10 kg)



MBI453MAXPRO
MBI558MAXPRO



MBI552FDMAXPRO

Installation place

You must follow the instructions below:

- The floor on which the product will be installed must be capable of bearing **1,200 pounds (544 kg) minimum**.
- Kitchen floor and the bottom of the product must be at the same level. Otherwise, problems may occur with the air suction of the product.
- There must be no objects preventing the installation of the product at the back and on the side walls of the product's installation place.
- The power socket must be at the correct place.
- Dimensions of the furniture where the product will be installed must be in strict conformity with the dimensions given in the manual.
- Do not install the product with the fridge and the freezer are adherent next to each other. Otherwise, condensation and damage may occur in the product. (Please see „Dual Cabin Installation“ for detailed information).
- Flatness of the floor where the product will be installed must be checked with a bubble level tool.
- Installation area must not be subjected to direct sunlight and it must be away from heat sources, ovens, radiators etc.
- The ambient temperature must be between **55 °F (13 °C)** and **110 °F (43 °C)**. Otherwise, function errors may arise when the product is running.
- If it is not possible to avoid installing the product near a heat source, the minimum clearances given below must be maintained between the product and the said source:
 - **1¼“ (3 cm)** from electric hobs or ovens.
 - **12“ (30 cm)** from gas or fuel operated hobs or ovens.

Please observe the following rules:

- The power socket or fuse must be easily accessible in case of an emergency; it must not be hidden behind the product.
- Plug or cable must not touch the back surface of the product. Otherwise, it may get damaged due to the vibration of the product.
- Do not connect the plugs of other appliances behind this product. If the humidity level is high where the product is used, corrosion may be seen on the outer surface of the product. Keep the installation room dry and well-cleaned to avoid corrosion.

To avoid the risk of electric shock:

- Connect the plug to a grounded **3-pin socket**.
- Do not remove the ground terminal of the plug.
- Do not use adapters.
- Do not use extension cables.



Attention

Failure to follow these instructions may result in death, fire or electric shock. Connecting the grounding conductor of the equipment to an improper place may lead to electric shock. Please have the grounding checked by a qualified electrician or service technician if you have any doubt about the proper grounding of the product.

Installation, repair and other procedures performed by unqualified persons may cause danger. Before installing the appliance, make sure that the voltage, load and circuit current parameters on the data plate are in compliance with the power mains in your house.

The appliance is provided with a NEMA 5-15 P plug and a 3-pin power cable which is in the UL list and ready to be connected to a 120 V, 60 Hz power supply. Fuse is 15 A. The appliance must be connected to a 3-pin socket. The plug must be installed only by a licensed electrician.

If the electrical wiring or the electric power supply of the house needs alteration, the necessary procedures must be performed by a qualified electrician.

Do not install your refrigerator:

- In open areas
- In environments where water is dripping
- In environments where temperature is lower than 55° F (0°C)

Furniture:

Make sure that the furniture where you will install the appliance has been safely mounted in your kitchen.

Your furniture must be connected to the floor and the wall properly and with suitable connections.

For the best installation, clearances between the furniture and the product must be in compliance with the values specified in the installation instructions.

Side walls must be free of clearances and their surfaces must be flat. Minimum thickness of the side walls must be $\frac{5}{8}$ " (**16 mm**).

Minimum thickness of the doors to be attached to the product must be $\frac{3}{4}$ " (**19 mm**).



Attention

There is a stainless steel door and stainless kick plate option. Please consult the authorised service.

Ventilation:

Vent holes where the air enters and exits the unit must not be blocked or obstructed. In addition, you must periodically clean the dust and dirt that accumulate on these holes in time.

Electrical Connection:

- Never use an extension cable.
- The power socket must definitely be grounded and checked by an authorised person.
- Location of the electrical wiring must comply with the dimensions specified in the manual.



Attention

Electrical grounding is necessary. This appliance is equipped with a three-pin plug to protect you against possible electric shocks.

- Do not remove the round grounding terminal from the plug.
- Do not use two-pin grounding adapters.
- Do not use extension cables to energise the product.

Do not connect the grounding cable to the gas pipe. Please have the grounding checked by a qualified electrician if you are not sure about the grounding of the product. Do not install a fuse on the neutral line or grounding circuit.



Warning

Please wait for 3-6 hour before energising the product to protect it against possible damages. This way, the refrigerant and the lubricants in the system get balanced.

Important information about installation and connection

Tool list

Tools to be used when installing the product are as follows:



Cordless drill



Safety goggles



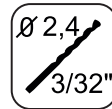
1/2"
Wrench



Hammer



Ladder



Ø 2,4
Drill bit



Ø 8
Drill bit



Box cutter



Safety gloves



Tape measure



Star bit



1/4"
Wrench flat



Bubble level tool



Wheelbarrow



Tape

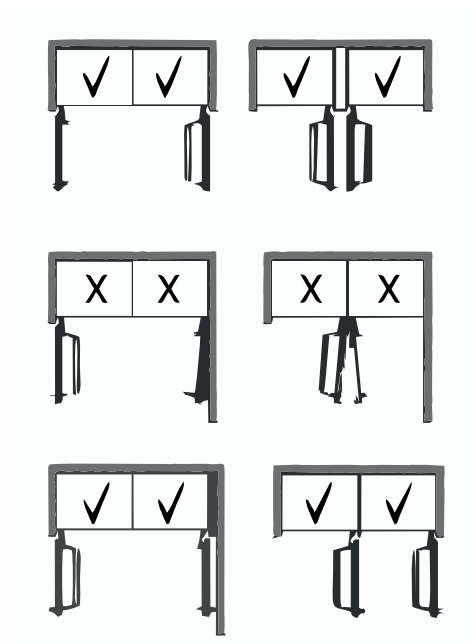
Alternatives for installation

The product can be placed in various ways based on the kitchen design. It must be installed at a place where it is ensured that the door can be opened and closed properly. If the doors cannot be opened **90 degrees** at least, you cannot completely open the drawers inside the product.

– Single cabin placement methods.



– Dual cabin placement methods.



Preparation for installation

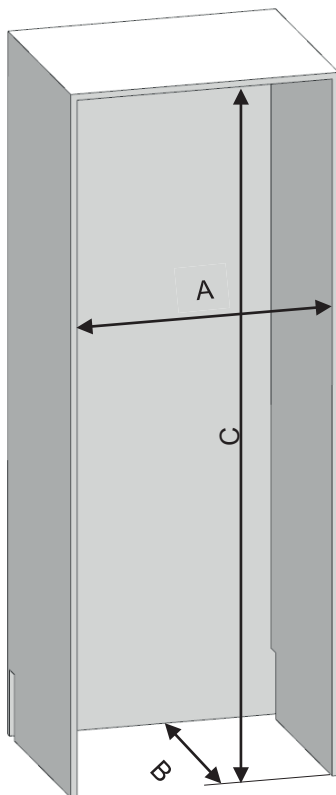
The instructions below have been prepared according to Built-in type.

Built-in: The Appliance and Panels fully seat into the gap, and a material that can be their own box is jammed between the two kitchen cabinets or decorative columns.

This is the most common installation scenario.

Cabin dimensions

– Cabin dimensions below must be checked before starting the installation.



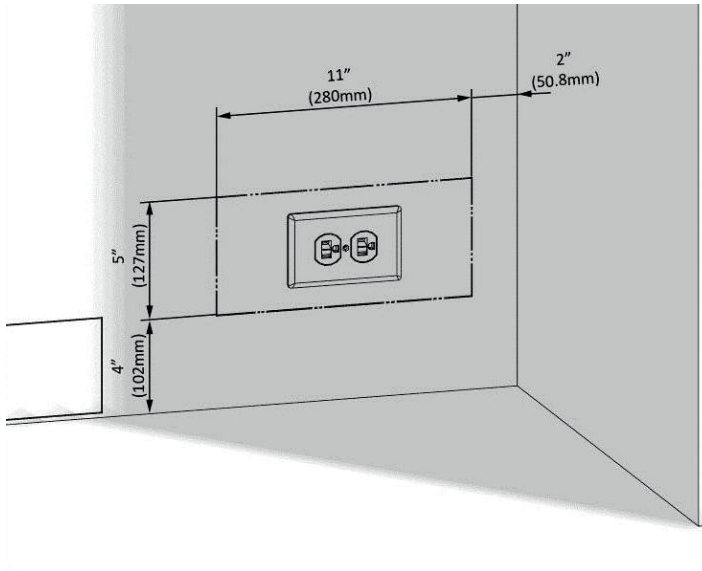
Location of the Electrical Wiring

Location of the electrical wiring must be within the range given below.

Attention

Do not use extension cables or two-pin adaptors and do not remove the ground terminal of the grounding cable.

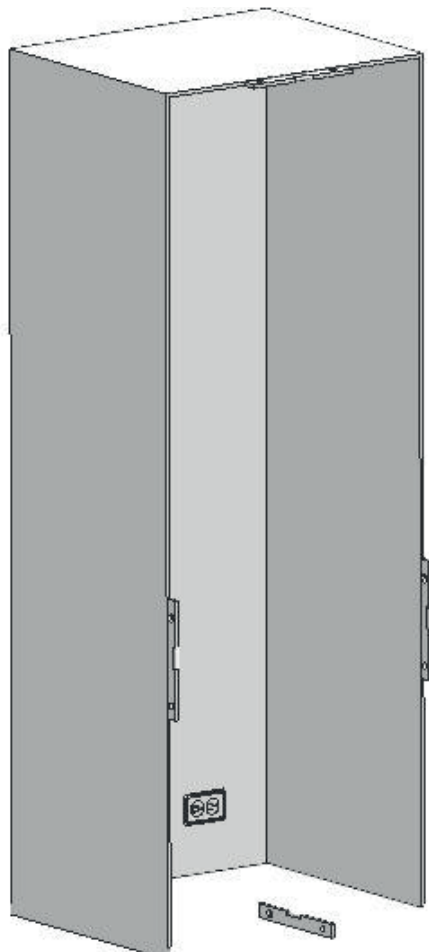
A qualified electrician must ensure that the poles of the socket are connected correctly. Verify that the grounding of the socket is correct.





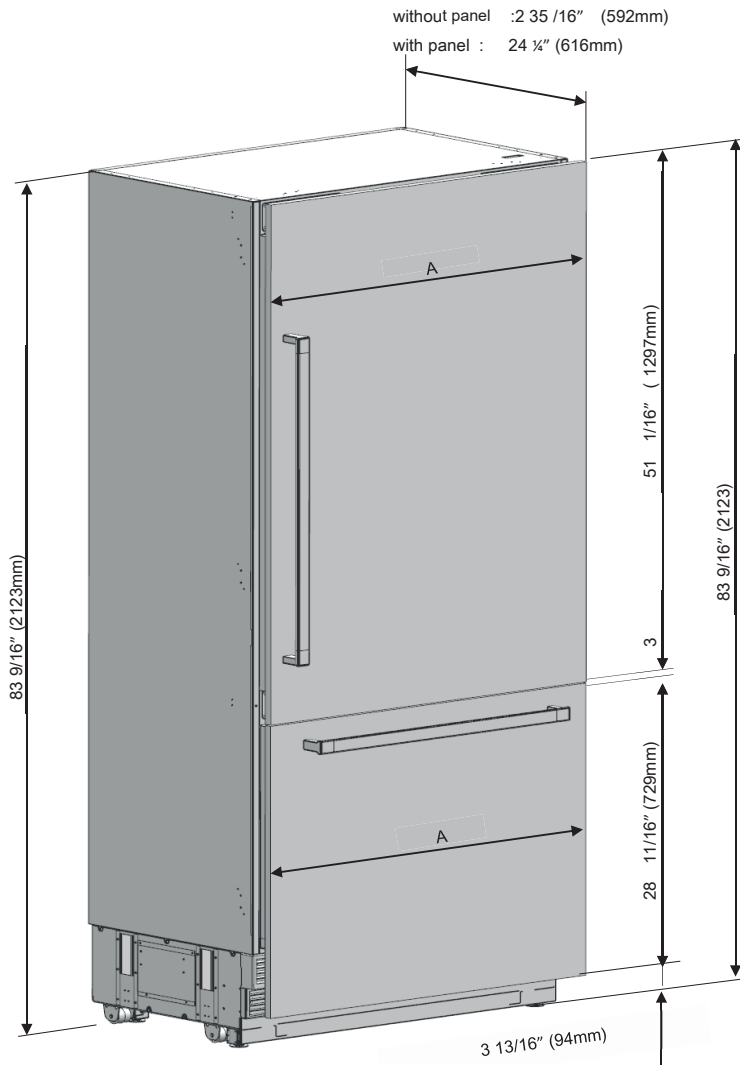
Warning

- Flatness of the floor where the product will be installed must be checked with a Bubble Level Tool.
- Uprightness of the furniture flanges must be checked with a Bubble Level Tool.
- If the flatness and uprightness of the product is not proper, problems may arise with the installation.



Important information about installation and connection

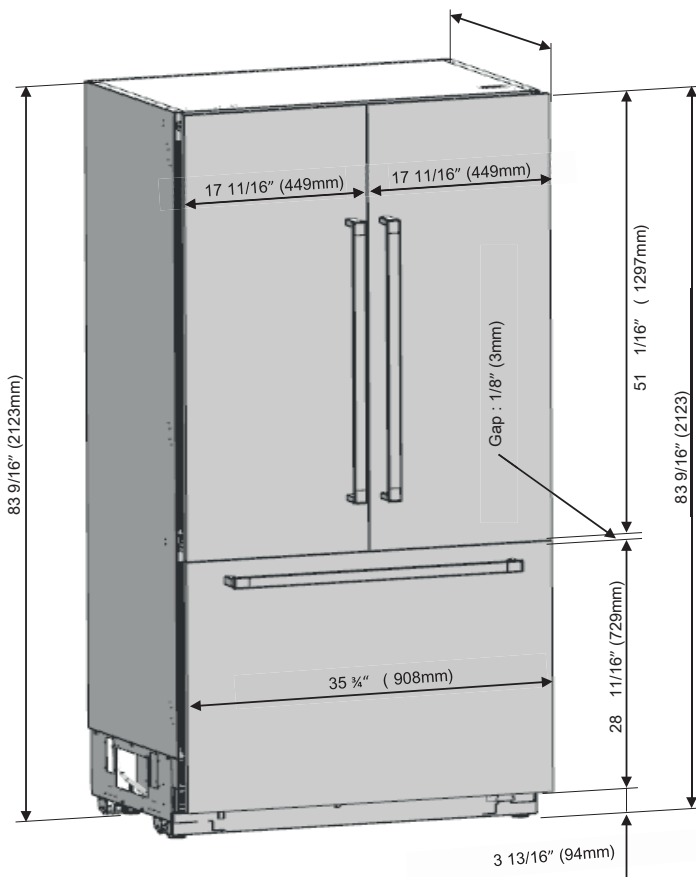
Category	MBI453MAXPRO	MBI558MAXPRO	MBI552FDMAXPRO
A	29 ¾" (756 mm)	35 ¾" (908 mm)	-



MBI552FDMAXPRO

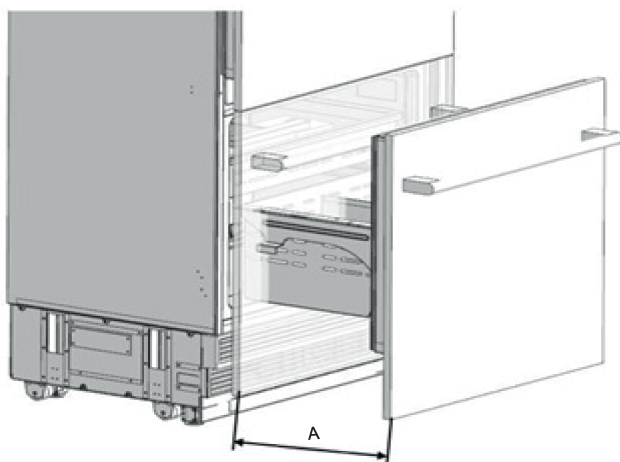
without panel : $23 \frac{5}{16}$ " (592 mm)

with panel : $24 \frac{1}{4}$ " (616 mm)



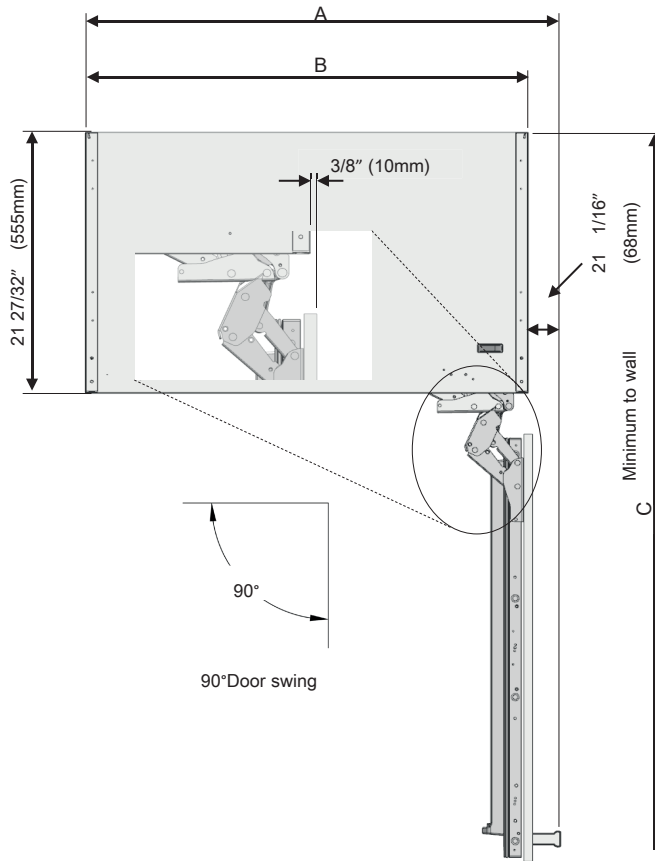
Important information about installation and connection

Category	MBI453MAXPRO	MBI558MAXPRO	MBI552FDMAXPRO
A	15 9/32" (388 mm)	15 9/32" (388 mm)	15 9/32" (388 mm)



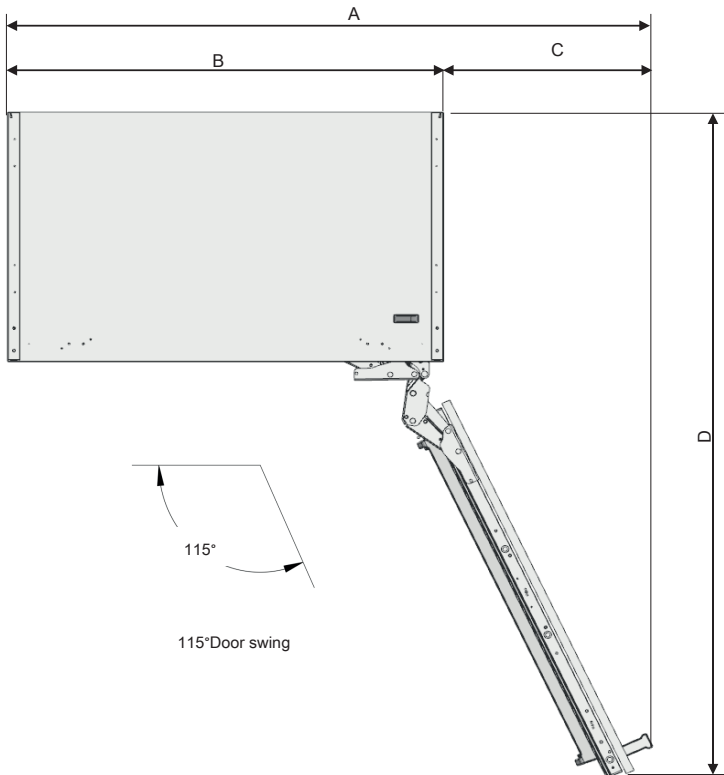
Important information about installation and connection

Category	MBI453MAXPRO	MBI558MAXPRO	MBI552FDMAXPRO
A	32 7/16" (824 mm)	38 7/16" (976 mm)	-
B	29 3/4" (756 mm)	35 3/4" (908 mm)	-
C	55 1/2" (1398 mm)	61" (1550 mm)	-

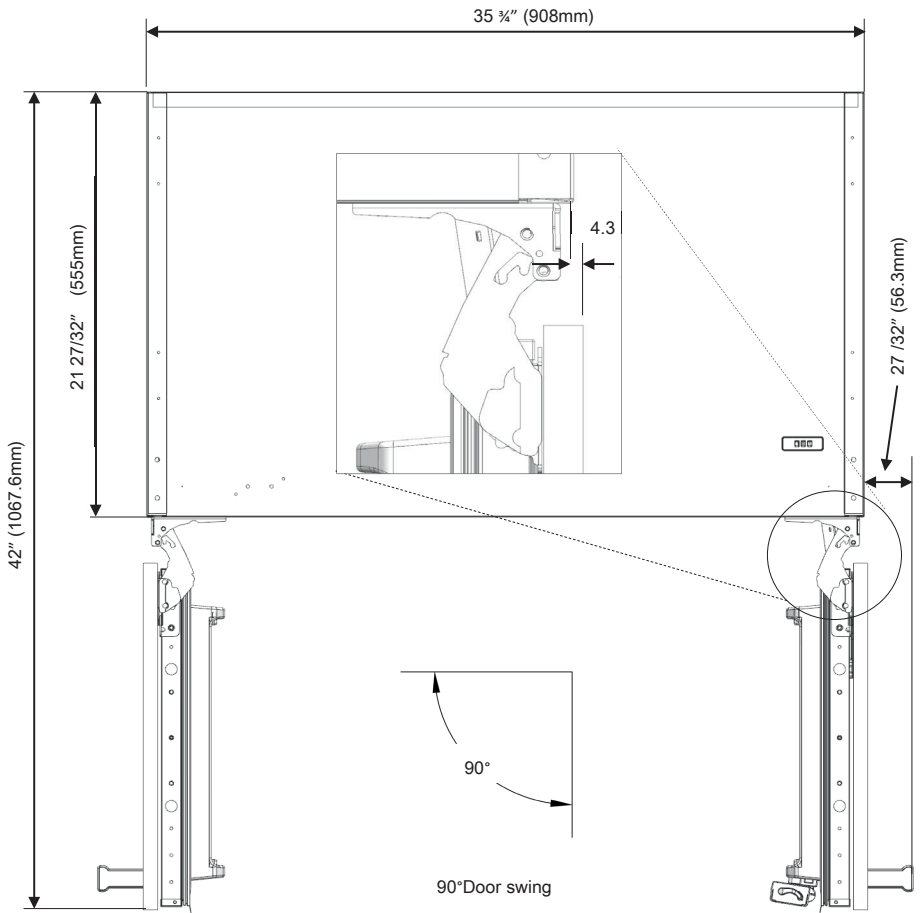


Important information about installation and connection

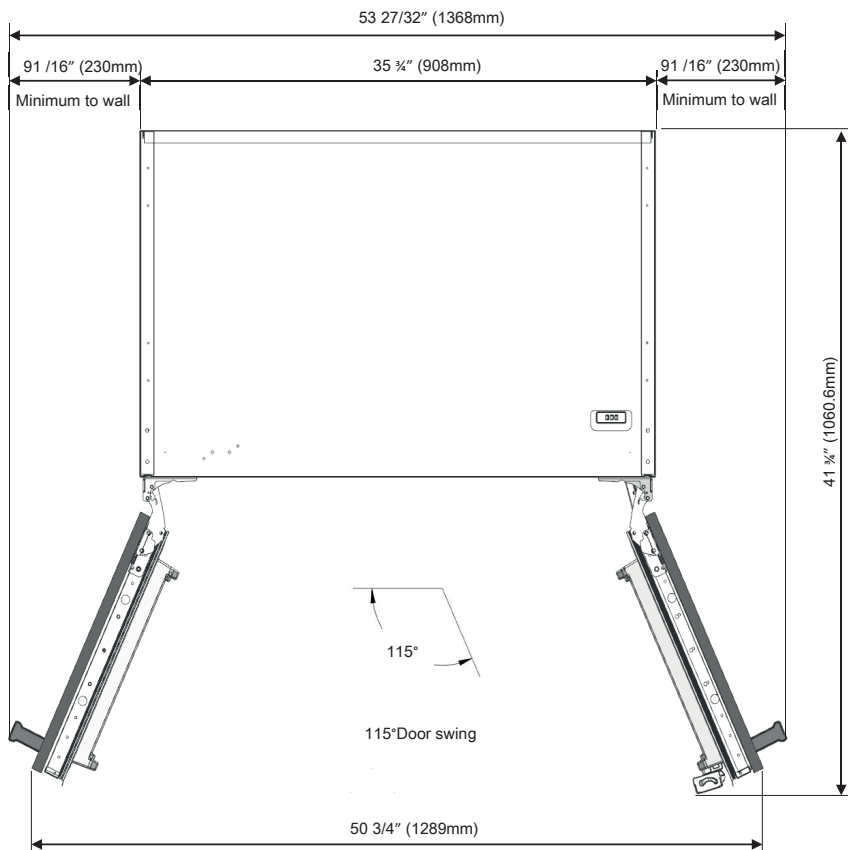
Category	MBI453MAXPRO	MBI558MAXPRO	MBI552FDMAXPRO
A	44 3/8" (1127 mm)	54 3/4" (1391 mm)	-
B	29 3/4" (756 mm)	35 3/4" (908 mm)	-
C	14 5/8" (371 mm)	19" (483 mm)	-
D	52 11/16" (1338 mm)	57 11/16" (1466 mm)	



Important information about installation and connection

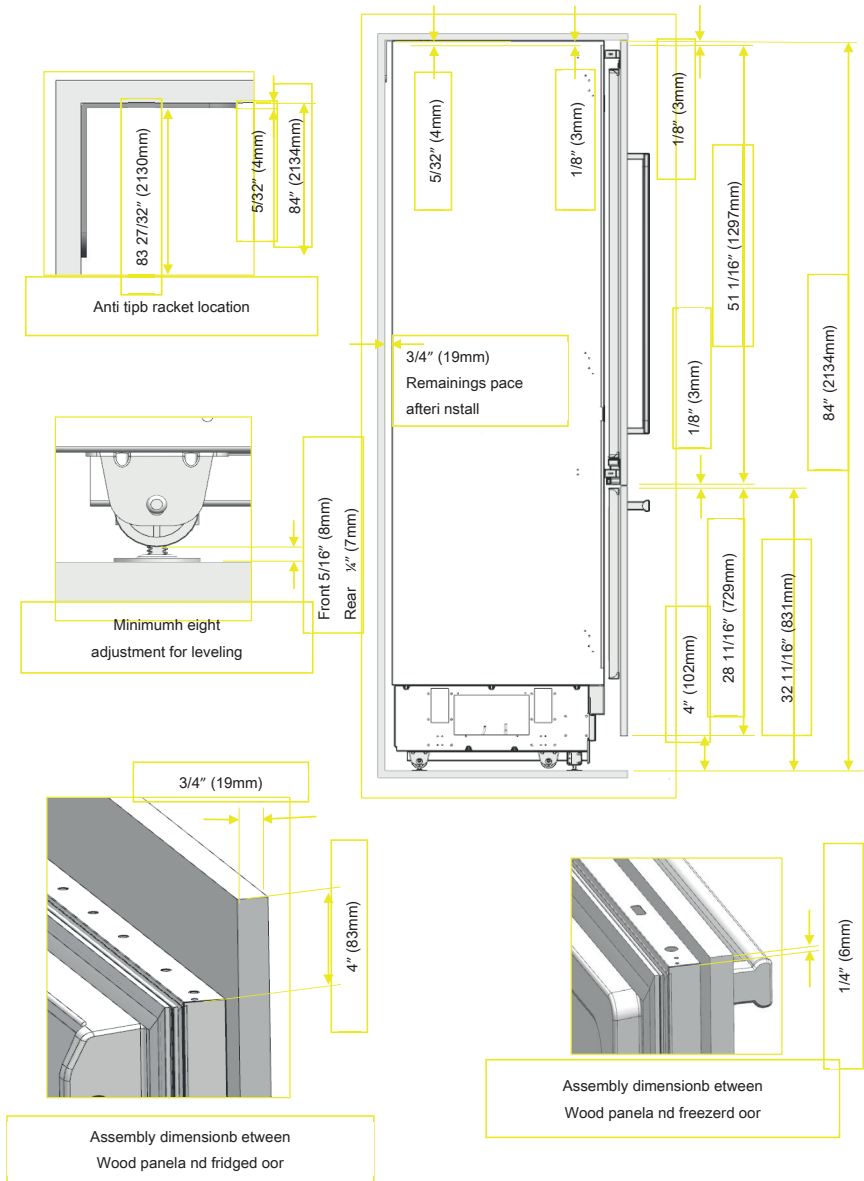


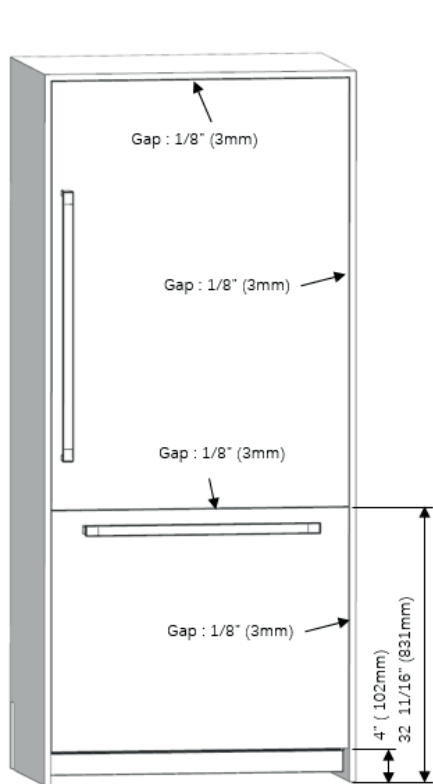
MBI552FDMAXPRO



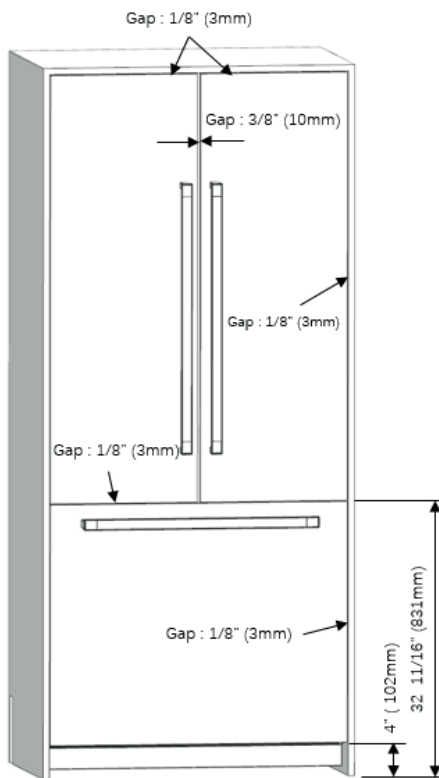
MBI552FDMAXPRO

Important information about installation and connection





MBI453MAXPRO
MBI558MAXPRO

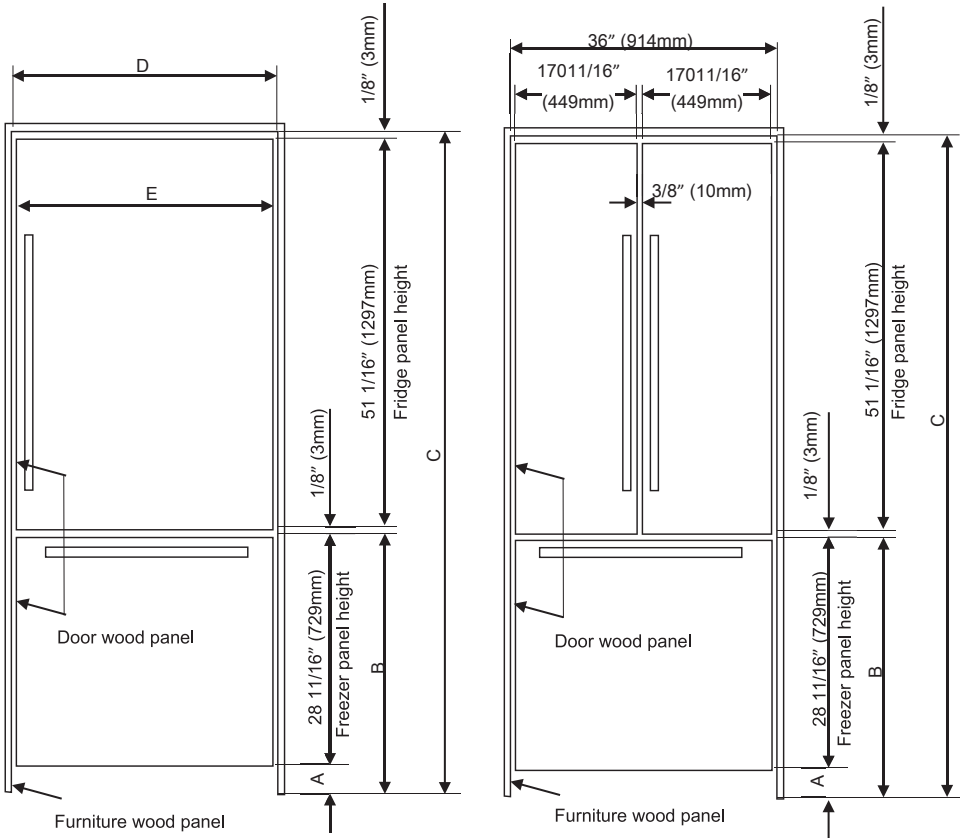


MBI552FDMAXPRO

Important information about installation and connection

Height of the kitchen countertop based on the min/max. height of the cabin;

	A	B	C
standard	4" (102 mm)	5 3/8" (137 mm)	84" (2134 mm)
minimum	3 13/16" (97 mm)	32 1/2" (826 mm)	83 13/16" (2129 mm)
maximum	5 3/8" (137 mm)		85 3/8" (2169 mm)



Category	MBI453MAXPRO	MBI558MAXPRO	MBI552FDMAXPRO
D	30" (762mm)	36" (914mm)	-
E	29 3/4" (756mm)	36" (914mm)	-

Installation guide

Unpacking

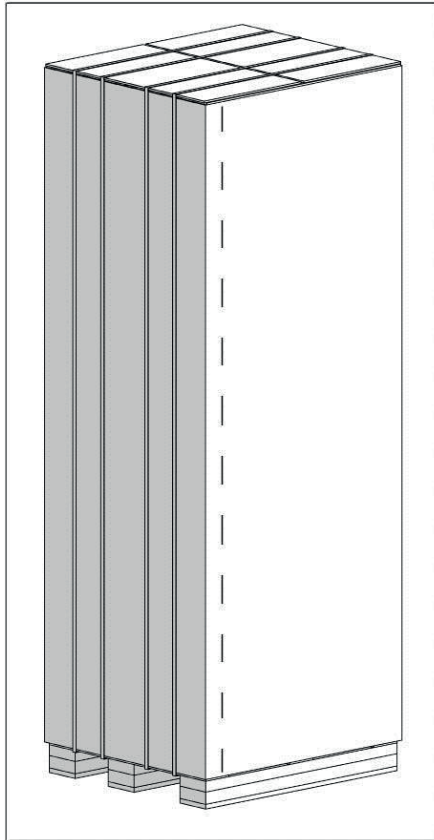


Warning

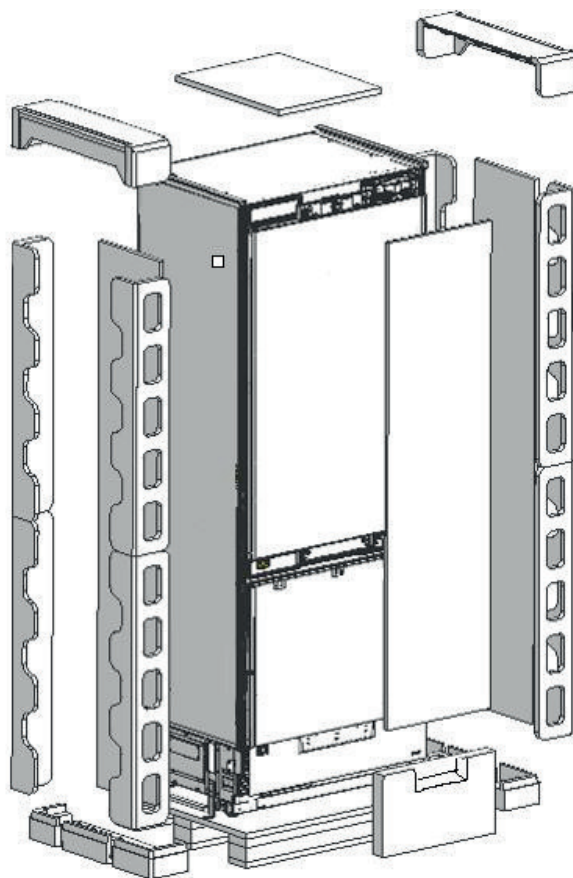
At least two persons must carry the refrigerator.



- Use a box cutter to remove the tapes.
- Cut the Packaging Board with a Box Cutter through the section illustrated in dotted lines and remove it.



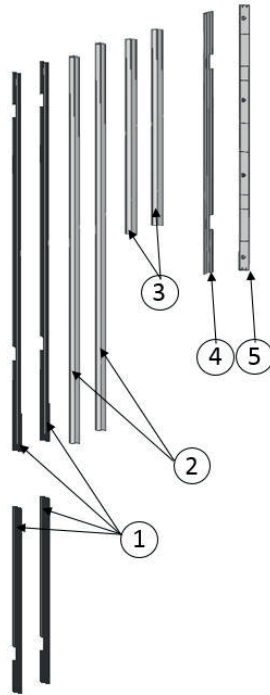
- Remove the Packaging Polystyrene material.



 **Attention**

Do not remove the tape of the upper door on the product until the refrigerator is placed into the cabin.
Risk of tipping over.

Removing connectors on the rear wall

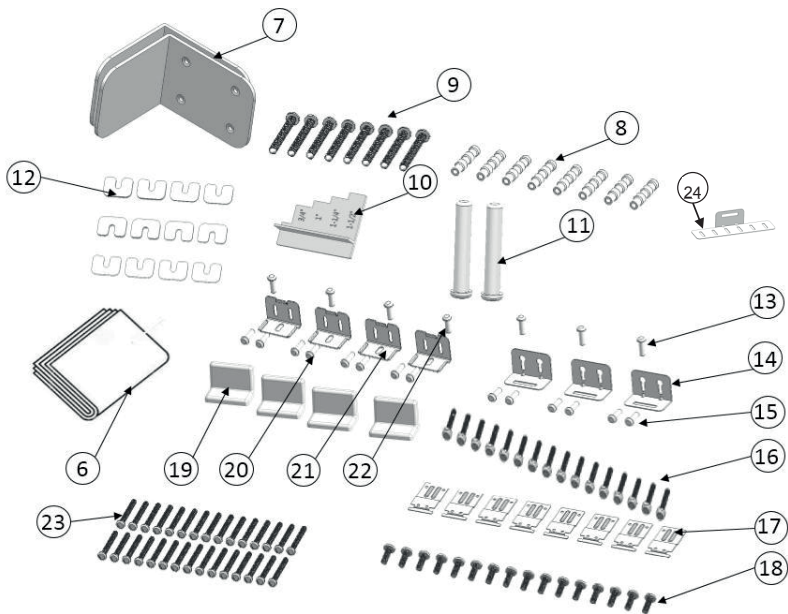


No	Part name	Spec	76	91	92
1	Trim fridge furniture side	PVC extrusion L = 617, L = 1,259	4	4	4
2	Trim fridge door side	PVC extrusion L = 1136	2	2	2
3	Trim freezer door side	PVC extrusion L = 556	2	2	2
4	Trim fridge furniture top	PVC extrusion L = 762, L = 914	1	1	1
5	Cover freezer door top	abs	1	1	1

Conference

Category	MBI453MAXPRO	MBI558MAXPRO	MBI552FDMAXPRO
Abbreviation	76	91	92

Removing mounting Parts in the Freezer Compartment

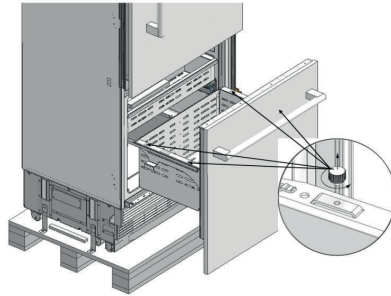


No	Part name	Spec	76	91	92
6	Template Furniture door	paper	1	1	1
7	Anti tip bracket	T4.0, Zn-coating	2	2	2
8	Dowel	-	8	8	8
9	Screw anti tip bracket screws	M8*L60	8	8	8
10	Position adjustment jig	ps	1	1	1
11	90° limiting pins	sus	2	2	-
12	Spacer freezer furniture door	abs	9	9	9
13	Screw freezer furniture door top	ST M4.8x16	3	-	-
14	Bracket freezer furniture door top	T1.0, sus	3	-	-
15	Screw freezer furniture door top	M4*12	6	-	-
16	Screw furniture bracket	M4*12	16	16	16

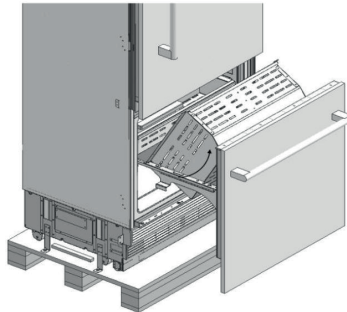
No	Part name	Spec	76	91	92
17	Bracket furniture	T1.0, Zn-coating	8	8	8
18	Screw furniture bracket	ST M4x14	16	16	16
19	Cover furniture door bracket	abs	4	4	4
20	Screw furniture door bracket	M4*12	8	8	4
21	Bracket furniture door	T1.0, sus	4	4	2
22	Screw furniture door bracket	ST M4x14	8	8	4
23	Screw furniture door hanger bracket	ST M4x14	30	30	34
24	Screw freezer furniture door top	ST M4.8x16	-	3	3
25	Bracket freezer furniture door top	T1.0, sus	-	3	3
26	Screw freezer furniture door top	M4*12	-	18	18

Removing the FRZ Crisper

– Remove it manually with 4 knurled screws.

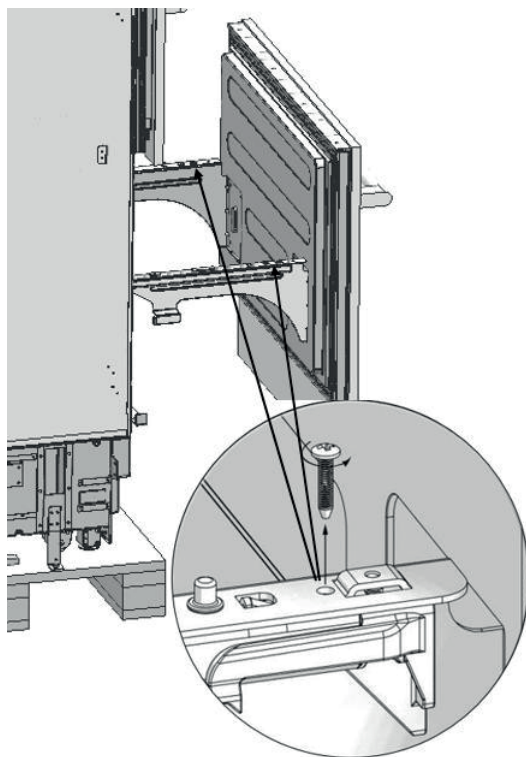


– Remove the Lower Crisper.

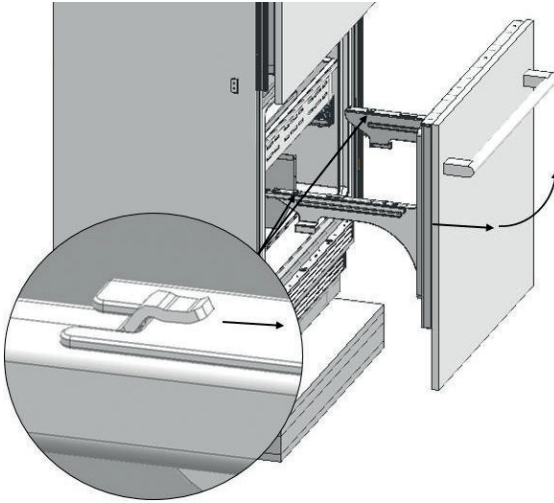


Removing the FRZ Door

– Remove **2 screws** which are near the front section and connect the FRZ Door and the rail.

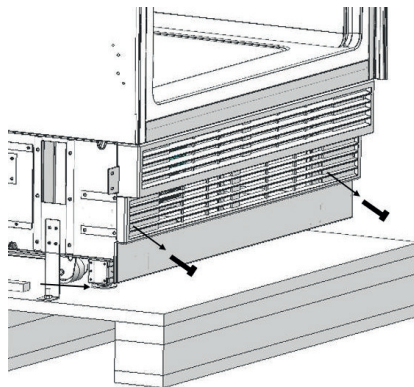


- Pull the door frontward to free it from the tabs at the back and remove it.



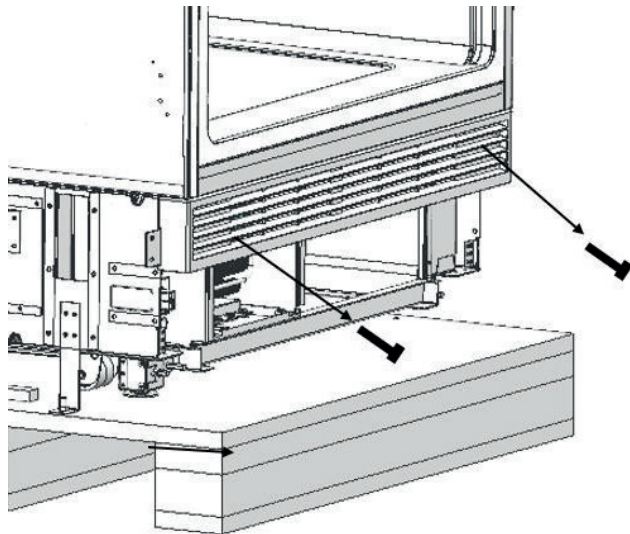
Removing the Lower Vent Hole Assembly

- Remove the **2 screws** to take out the Lower Vent Hole Assembly.



Removing the Upper Vent Hole Part

- Remove the **2 screws** to take out the Upper Vent Hole Part.



Pre-installation

Continue to install the product according to the instructions below. Additionally, consider national and local instructions regarding installation.

Please observe the following:

- For USA, the National electrical code, ANSI/NFPA 70 — last version / state or municipality directives and/or regional directives.
- For Canada, the Canadian electrical code, C22.1 — last version / state or municipality directives and/or regional directives.

Mounting the Anti-Tip Brackets



Warning

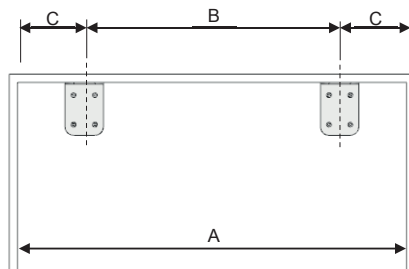
You must definitely use anti-tip brackets to prevent the appliance from tipping over.

Make sure that there is no electrical or water connection, where the screws will be tightened and connections will be established.

Please remember to use the necessary protective equipment when drilling holes on the wall and performing installation.

Anti tip brackets on the wall

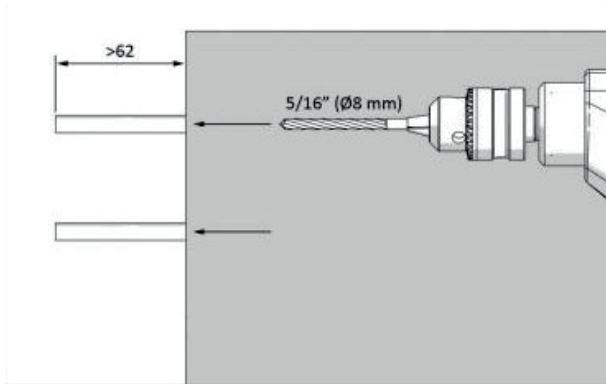
- Mark the wall for Anti-Tip Brackets (7).



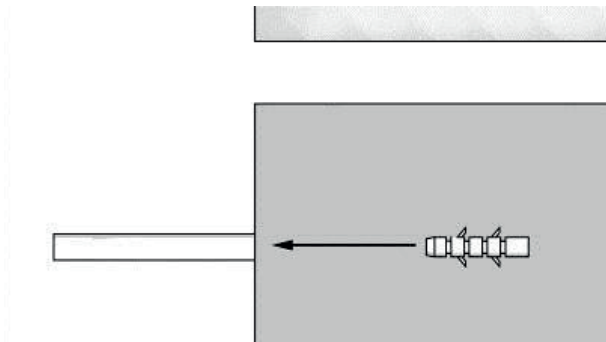
Category	MBI453MAXPRO	MBI558MAXPRO	MBI552FDMAXPRO
A	30" (762 mm)	36" (914 mm)	36" (914 mm)
B	23 5/8" (600 mm)	23 5/8" (600 mm)	23 5/8" (600 mm)
C	3 3/16" (81 mm)	6 3/16" (157 mm)	6 3/16" (157 mm)

Installation guide

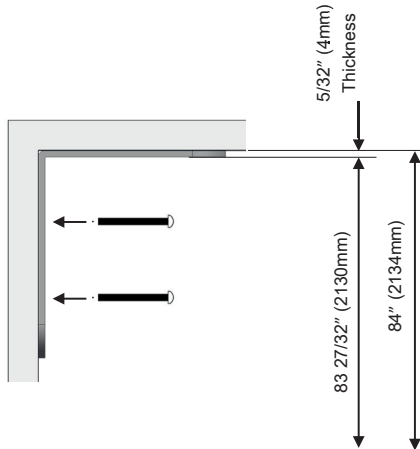
– Use a drill to create holes for **dowels 8** at the marked points. ($\frac{5}{16}$ " — $\varnothing 8$).



– Use the hammer to fit the dowels (item No. 2).



- Fit the brackets (7) into their places, **using 4 screws** for each.
- You must use all of the **2 brackets** to ensure safety of the product.



Warning

If you are not sure whether the existing connection parts are fit to the wall as securely as they should be, you can use alternative anti-tip methods.

If there is furniture at the back wall of the refrigerator, please make sure that the furniture is fixed to the wall.

For this, you need to be sure that the back wall of the furniture is fixed to the concrete back wall with suitable connection parts.

Alternative anti-tip method:

If the anti-tip brackets cannot be connected securely, you must use the alternative method below. In this method, you can use wooden girders to avoid the risk of tipping over.

It must be installed as illustrated in the figure below.

There must be no clearance between the product and the wooden girder.

Minimum section dimensions of the wooden girder must be **3"x4" (75 mm x 100 mm)**. Width of the girder must be equal to the clearance where it will be installed.

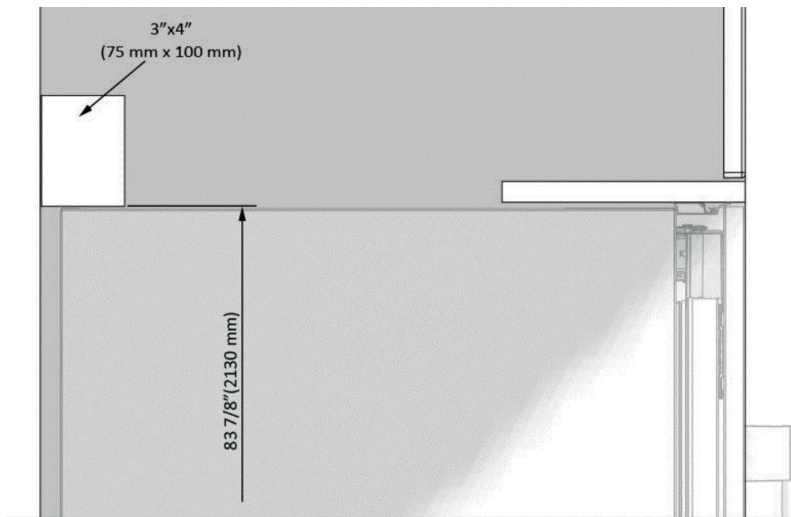
An additional girder must be used if the niche depth is more than anticipated. The wooden girder must contact the product with a maximum size of **2" (50.8 mm)**.

To determine the location for the wooden girder, mark it on the rear wall, select suitable screws and connect safely.



Warning

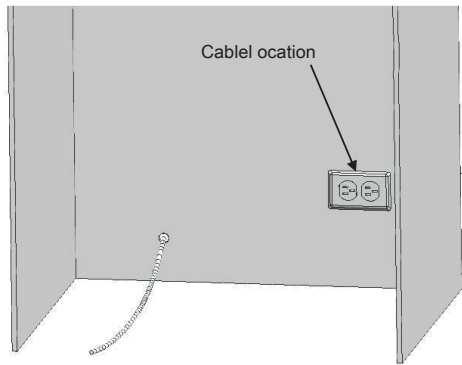
Number and features of the screws to be used for the wooden girder must be determined so that there is no safe connection.



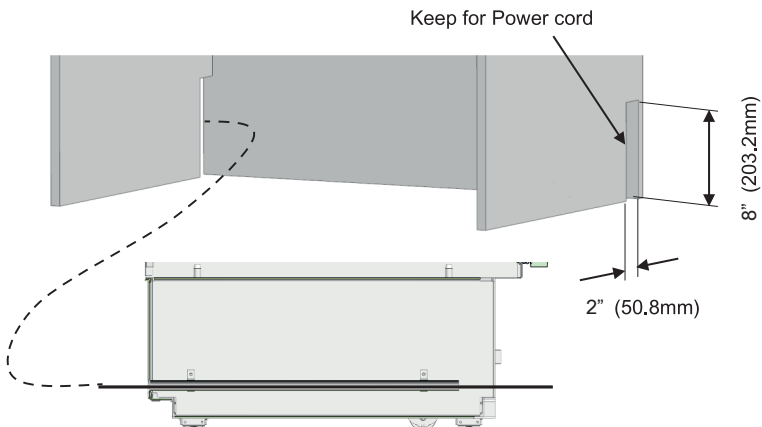
Preparing the the Power Plug

You can choose the method A or method B below to prevent the cable from getting jammed.

- Method A: Locate the power supply on the back.



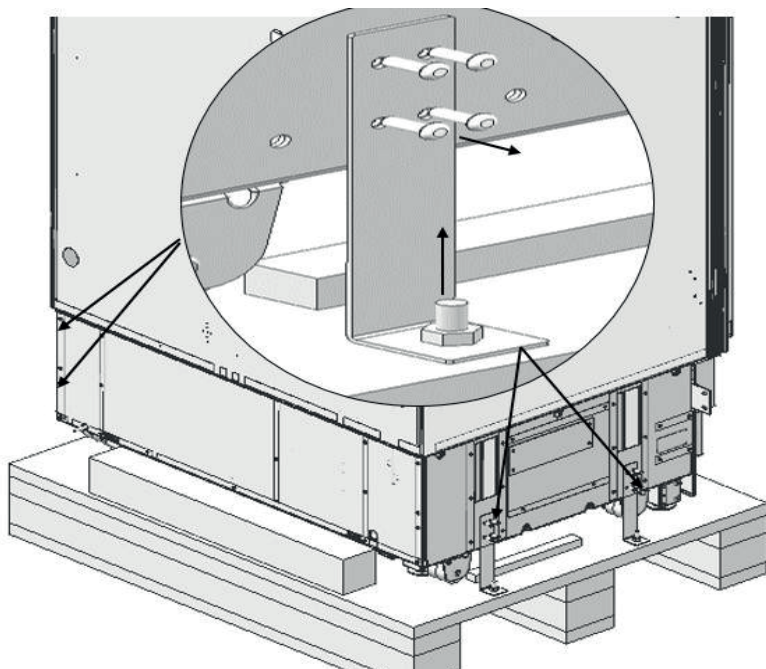
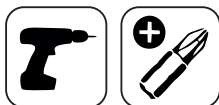
- Method B: Locate the power supply on the side



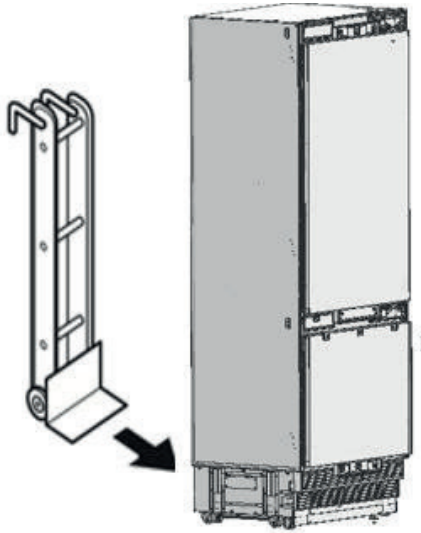
Installation to the cabin

Taking the Refrigerator from the Wooden Pallet

- Remove the brackets that connect the refrigerator to the Wooden Pallet.



– Recline the refrigerator slowly and pull back with the help of the cart, and then land it.



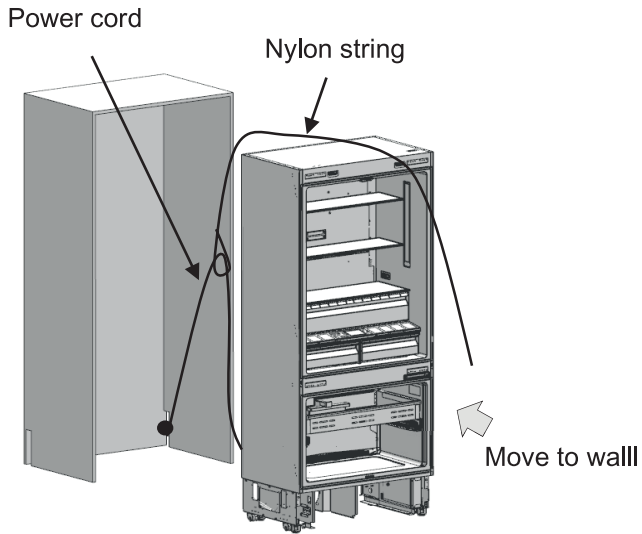
 **Attention**

The risk of tipping over is high as of this point. You should not open the doors until the product is placed into the cabin.

Placing the refrigerator into the cabin

Note

Apply the below method to prevent the cable from getting jammed.
– Start the refrigerator and make sure it is energised. (You can check if the lamps of the freezer compartment are on or off to see if the product is operating).



Note

You can use tape and similar protectors on parts you think this is necessary to protect the edges of the furniture when placing the product.

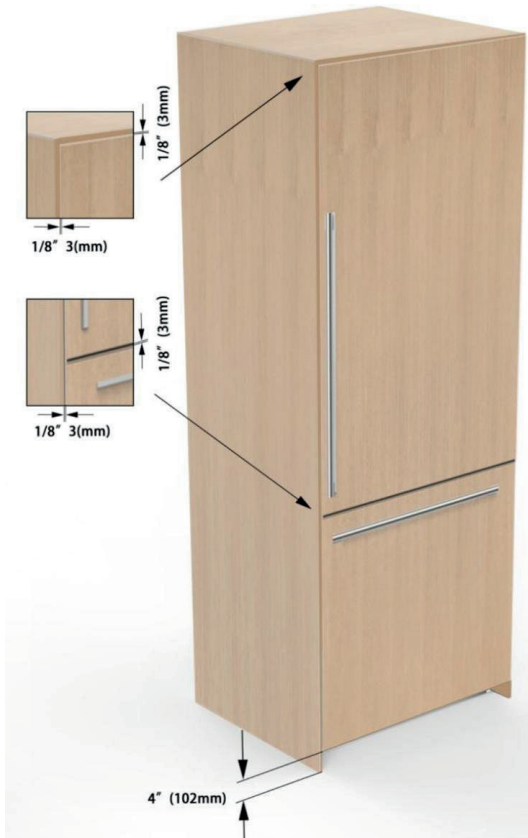
Warning

The plug of the product must be accessible after installation. If the plug is not accessible after installation, the power must be cut off from the main switch.
Make sure that the mains cable is not jammed when placing the product.

- Push the product carefully towards the cabin to place it. If there is strain during the placement of the product into the cabin:
- The floor might be rough or uneven.
- Adjustable feet might be loose (please see the relevant section to learn how to adjust the adjustable feet).
- You must attach the Freezer Door temporarily to align the product before placing it.

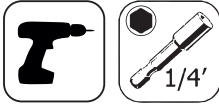
Note

You must use the upper edges of the Freezer Door when aligning the product with the furniture.
Adjustment of other edges are explained in the following pages.



Adjusting the height of the refrigerator in the cabin

– Adjust the refrigerator height using the adjustable feet.

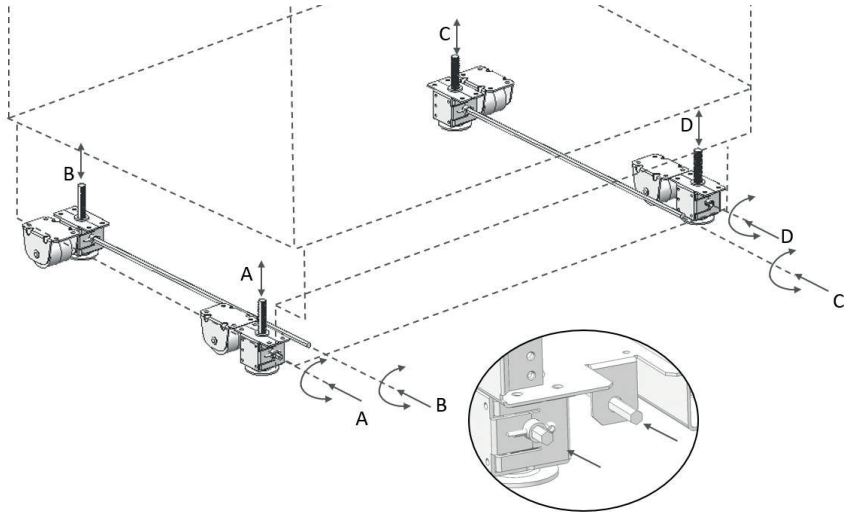


Warning

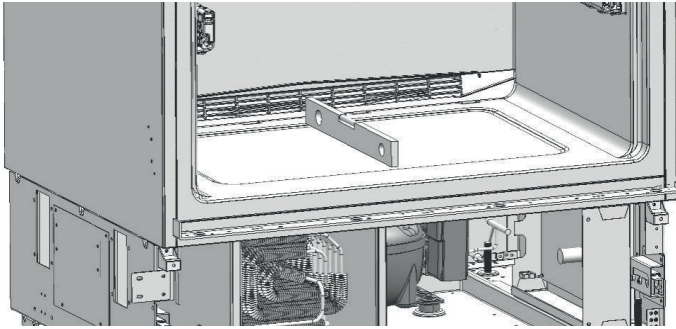
First of all, raise the front feet to reduce the risk of the cabin falling forward.

A/D –Turn the key clockwise to lift the front

B/C –Turn the key clockwise to lift the rear



– After adjusting the adjustable feet, check the flatness in both width and depth directions.



The maximum height that the adjustable feet can reach is **1 9/16" (40 mm)** and the product height is **85 3/8" (2,169 mm)**.

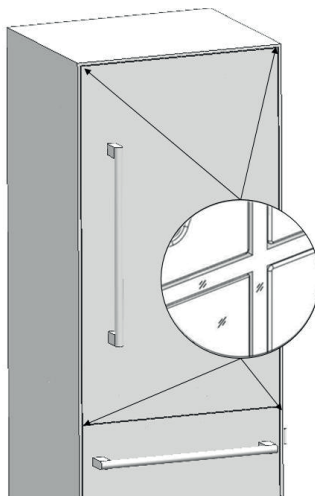


Note

Adjusting the refrigerator according to the cabin flange

– For products with clad doors, the position of the Refrigerator is adjusted so that the door and the furniture surface are flush.

You can also use gage (Item No 10) if necessary.

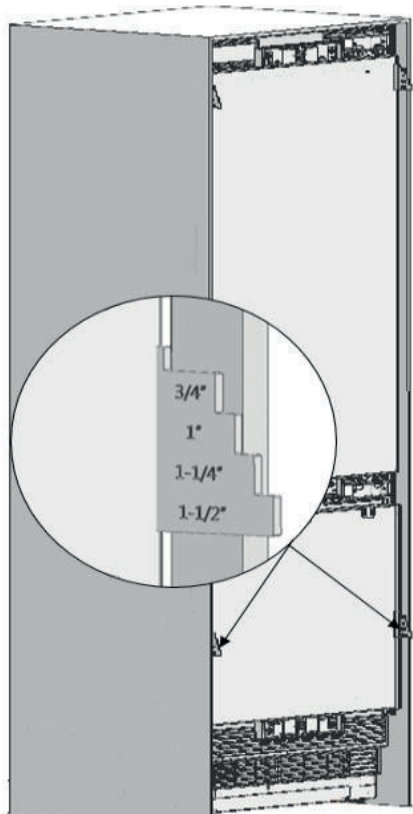


Installation guide

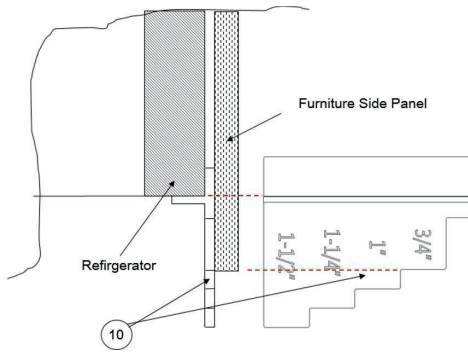
– For products without clad doors, the product is placed using the Adjustment part (Item No 10) as shown in the figure below.

Note

It is very important to align the upper edge of the Freezer door when aligning. All the other edges can be adjusted with the adjustment mechanisms.

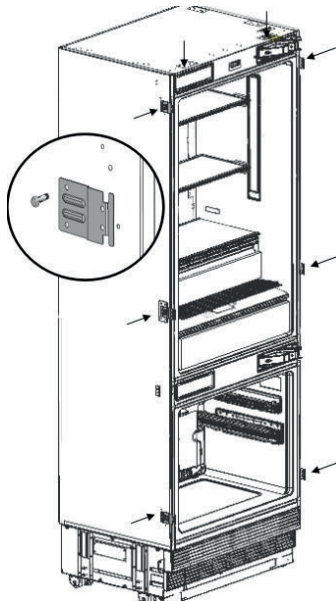


– Position of the level adjustment part (10) must be adjusted according to the thickness of the door. It can adjust the level for **4 different** door thickness levels.



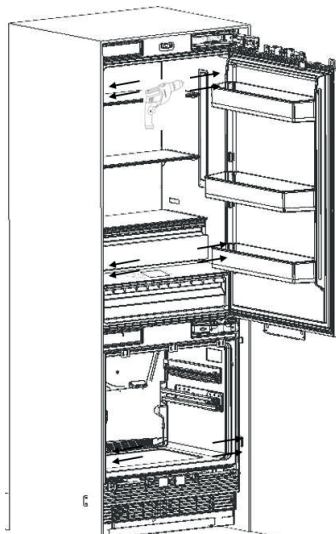
Screwing the side brackets

- Attach the Side Brackets to the furniture with **12 screws** (Item No 11) for each bracket.
- Fix the brackets (Item No 17) to the unit, where **2 on the top**, and **3 on every side**. Use the screws (Item No 18) to tighten.
- Use the **12 long** screws (Item No 16) to join the product and the cabinet.



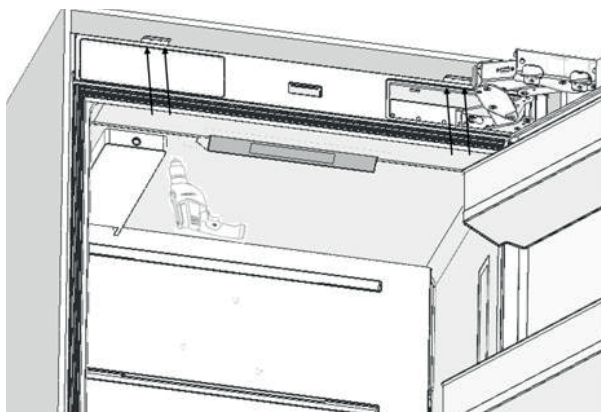
! Note

If you have difficulty tightening the screws, opening a reference hole with the drill will make this procedure easier.



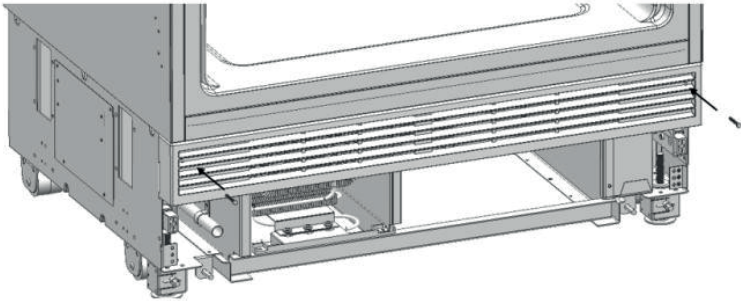
Screwing the upper bracket

– Attach the upper bracket to the furniture with **4 screws** (Item No 16).



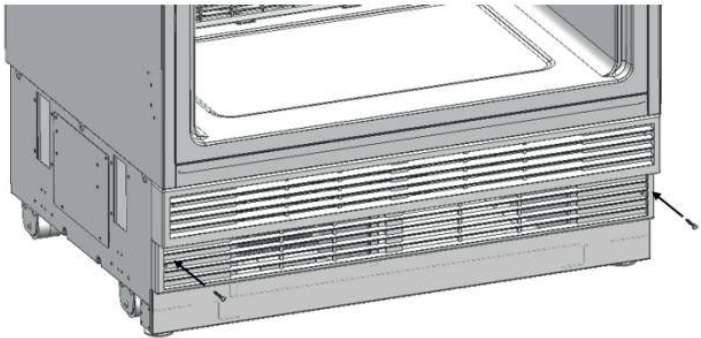
Attaching the upper vent hole part

- Use **2 screws** to attach the upper vent hole part.



Attaching the lower vent hole assembly

- Use **2 screws** to attach the lower vent hole part.



Note

You can move the lower vent hole forward-backward to adjust it to the kick plate in the kitchen.

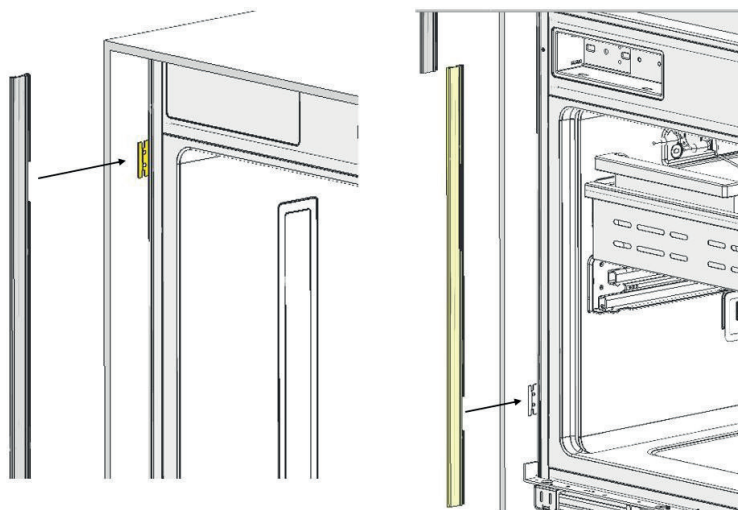


Warning

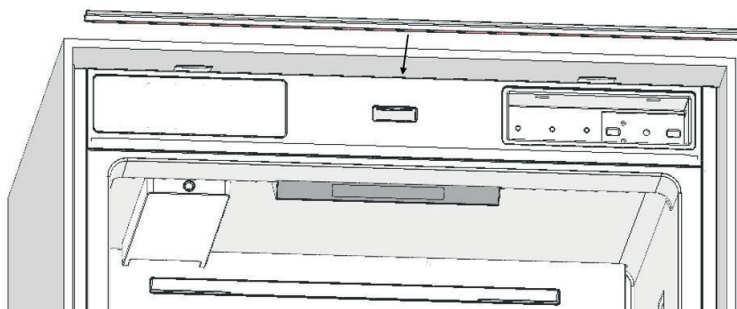
Forward-backward travel distance of the lower kick plate must be $\frac{15}{16}$ " (23 mm). As you can see in the figure, the decorative kick plate must not be in front of the upper vent hole level.

Attaching the decorative parts

- Attach the side closing parts (1) onto the right/left connection brackets.



- Attach the upper closing part (4) onto the upper connection bracket.



Furniture door preparation

This section contains information about preparing the furniture doors and mounting them to the product.



Warning

Maximum weights of the furniture to be mounted to the product are as follows. Fridge Door: 35.7 lbs. (16.2 kg)
Freezer Door: 19.8 lbs. (9 kg)

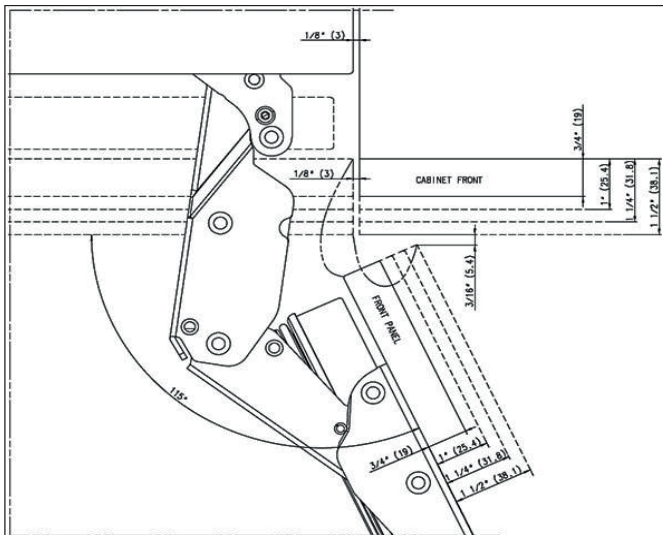
Choosing the Door Thickness

– The door of your refrigerator can open by **115° maximum**. If the door is going to open to this degree, you can choose the following thickness levels.



Warning

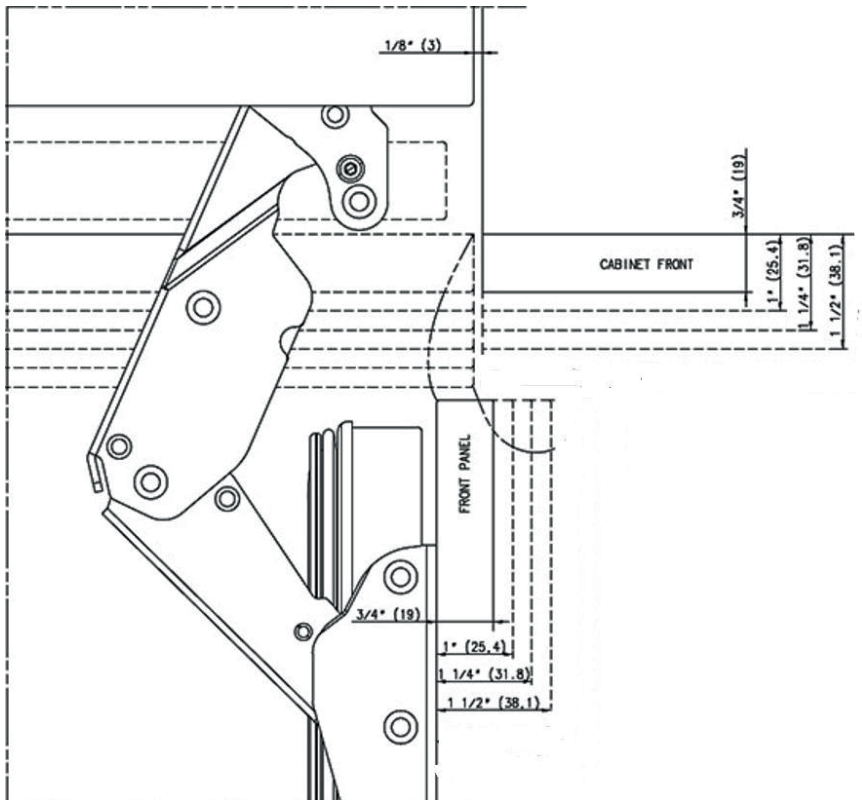
If the door thickness is more than 1 1/2" (38 mm), the door should not open more than 90°. You must use a limiting pin on the hinge.



Installation guide

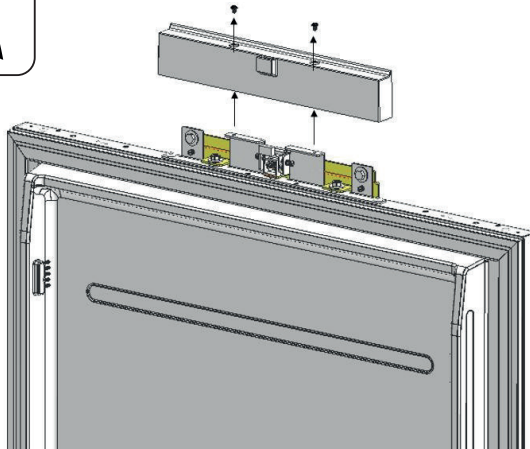
– You can limit the opening degree of your door to **90°** if you want.

In this case, the door thickness levels can be like the following (you can look at the relevant section to learn how to attach the **90° limiting pin**).



Removing the Mechanism Covers

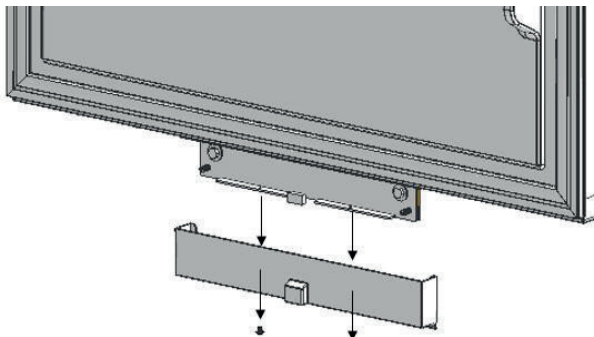
- Remove one screw to take out the FF Upper Cover.



Warning

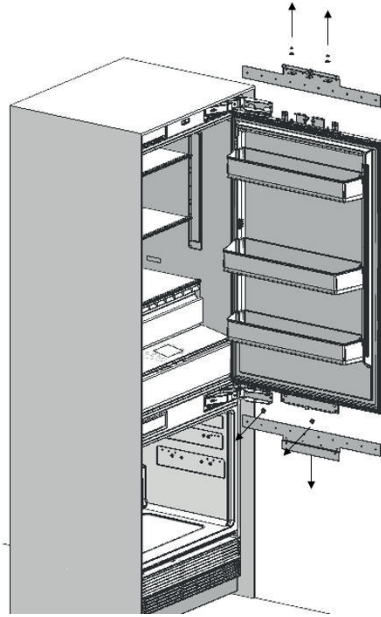
There is a magnet on the cover door hanger bracket. This is a functional part for the operation of the product.
It should not be confused with the lower cover.

- Remove two screws to take out the cover door hanger bracket.

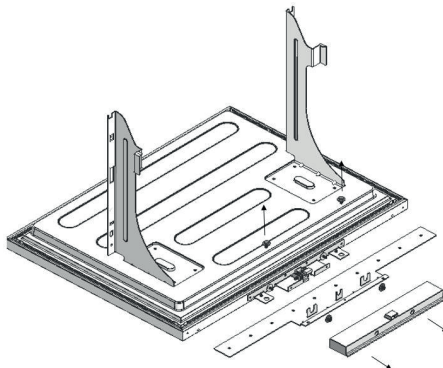


Removing the Panel-Adjustment Mechanisms on the Refrigerator

– Remove the Upper and Lower Adjusting Mechanism Assemblies from the FF Door.



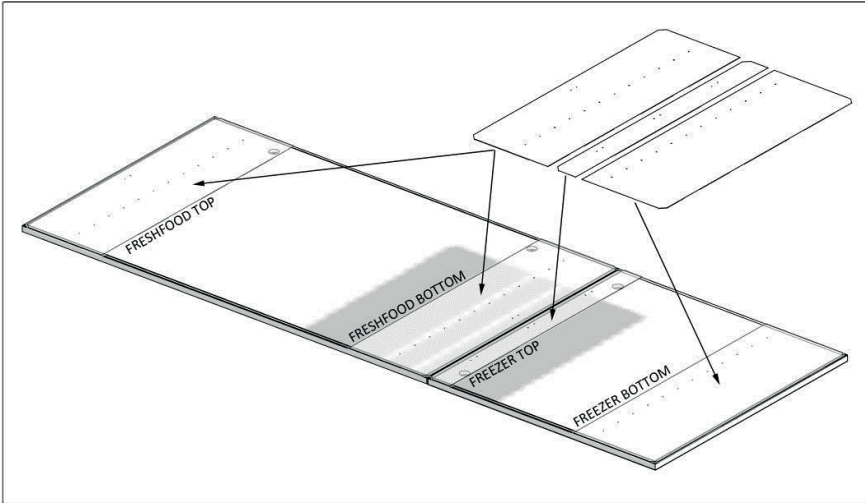
– Remove the Panel-Adjustment Mechanisms from the lower part of the freezer Door.



Preparing Furniture Door

**Note**

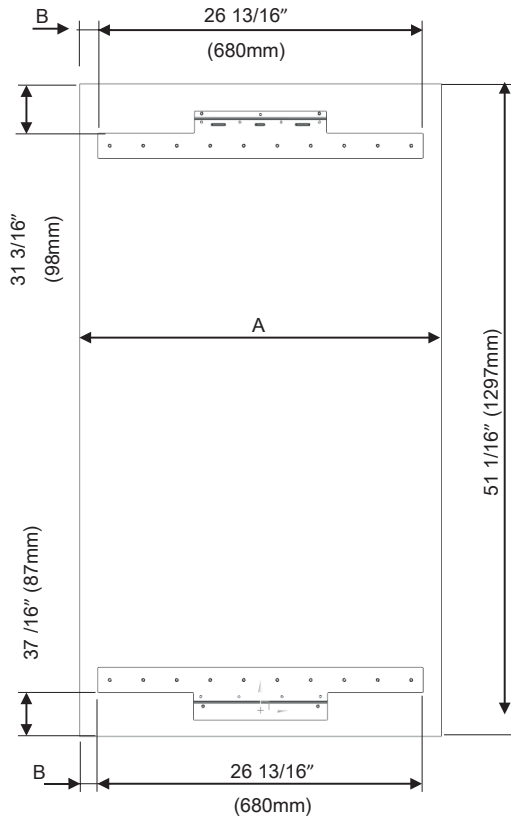
You must take the dimensions into account when grouping the cradle parts on the furniture door. When marking, you can use the „Furniture door preparation template“ (Item No 6) provided with the product.

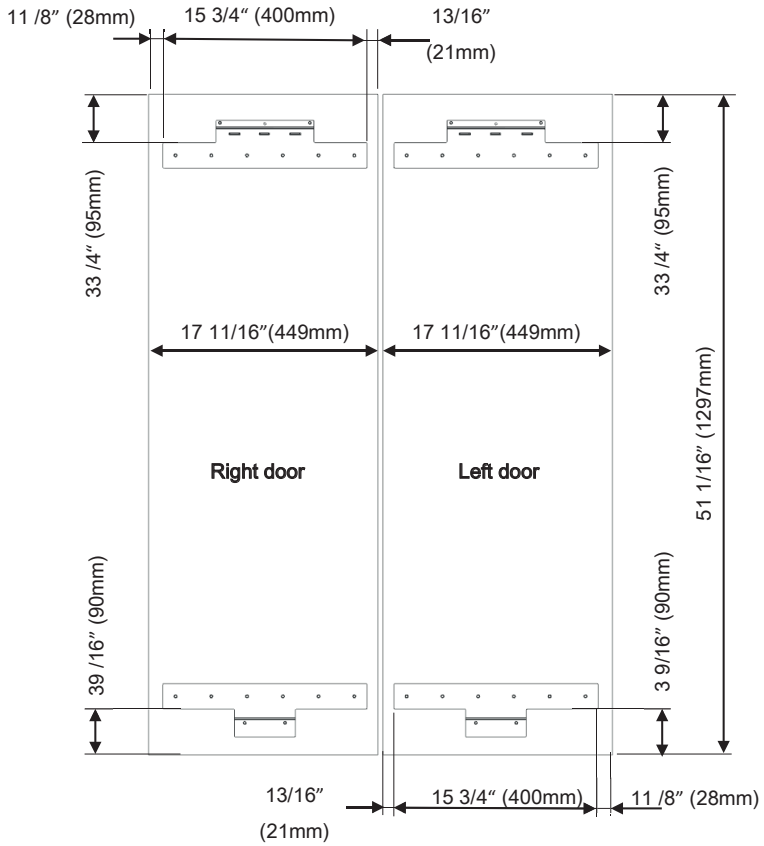
**Warning**

Handle connection holes must be adjusted according to the handles to be used in kitchen design.

Minimum thickness of the door must be $\frac{3}{4}$ " (19 mm).

Category	MBI453MAXPRO	MBI558MAXPRO
A	29 ¾" (756 mm)	35 ¾" (908 mm)
B	1 ⅞" (38 mm)	4 ⅞" (114 mm)





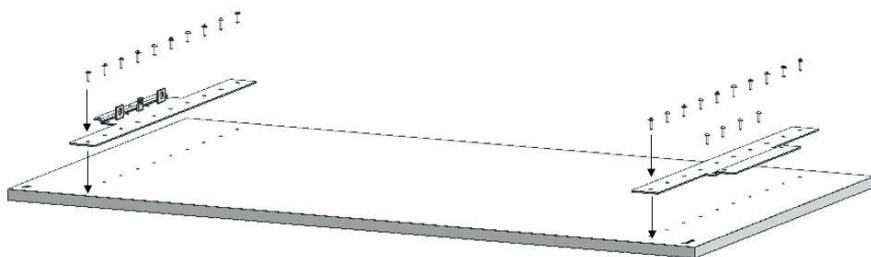
MBI552FDMAXPRO



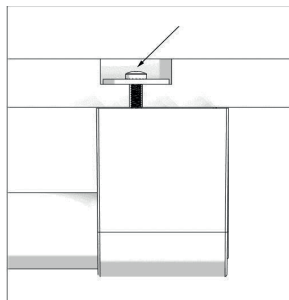
Warning

You must use screws suitable for the door thickness.

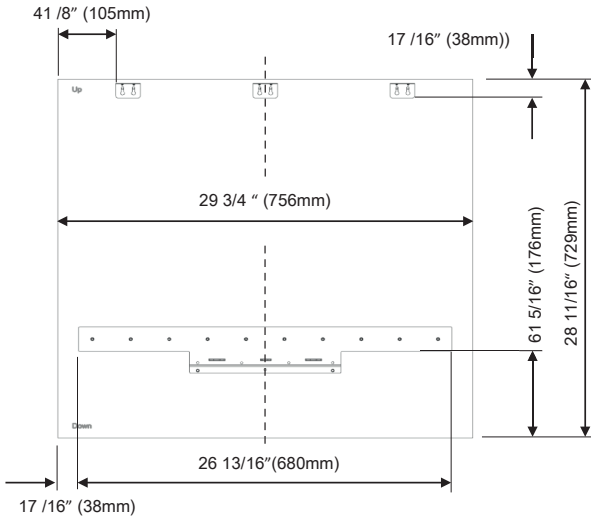
– Install **2 cradles** using the chipboard screws (Item No 23). You can also use the template (Item No 6) provided with the product to align these parts. It is recommended to keep this template for future reference.



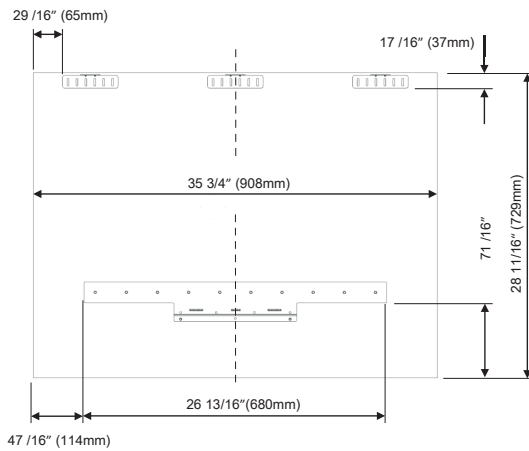
– Attach the FRZ door handle.
Screws holding the door handle must not protrude.



Preparing the freezer furniture door



MBI453MAXPRO



MBI558MAXPRO
MBI552FDMAXPRO



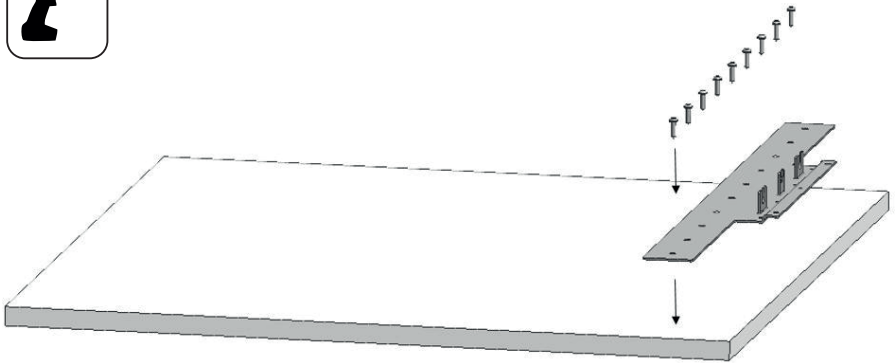
Warning

Handle connection holes must be adjusted according to the handles to be used in kitchen design.

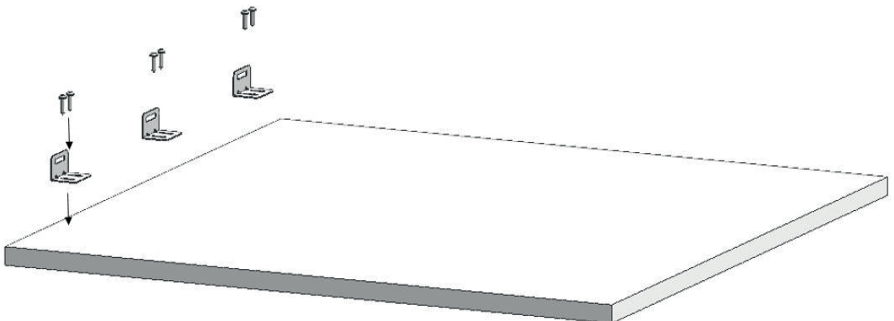
Minimum thickness of the door must be $\frac{3}{4}$ " (19 mm).

You must use screws suitable for the door thickness.

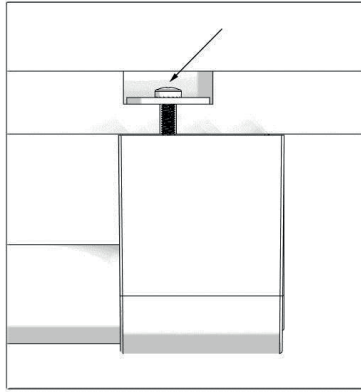
– Install 1 cradle using the chipboard screws (Item No 23). You can also use the template (Item No 6) provided with the product to align these parts. It is recommended to keep this template for future reference.



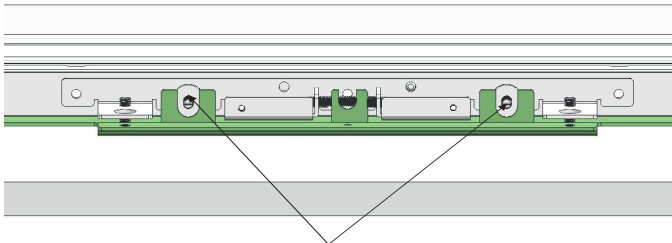
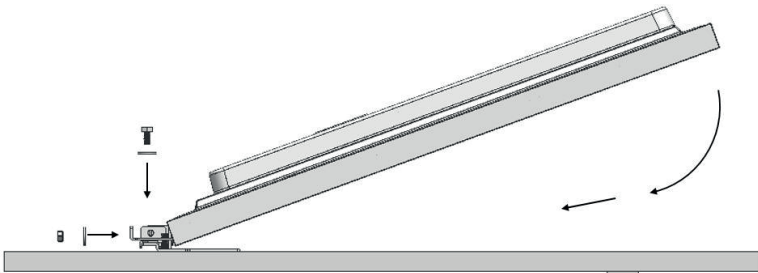
Attach **3 sheet** metal brackets (Item No 14) using **6 screws** (Item No 15) for each.



- Attach the FRZ door handle.
- Screws holding the door handle must not protrude.



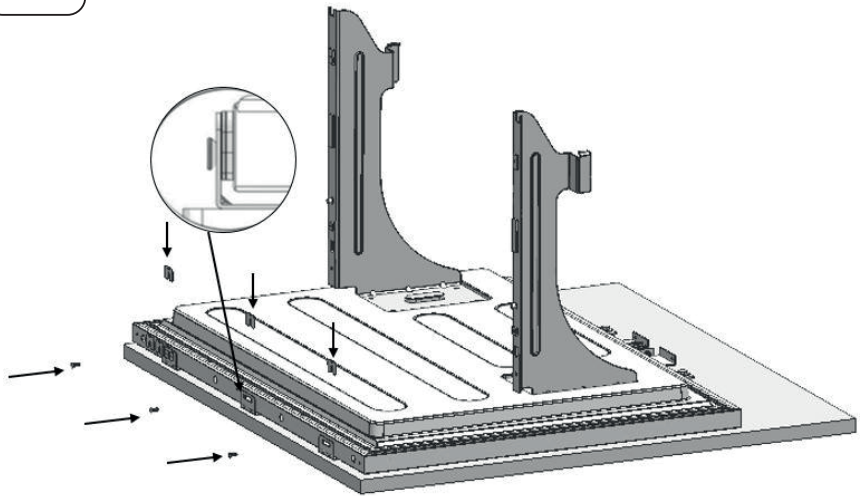
- Lay down the furniture door, and place the freezer door onto it.
- Put the screws back but do not tighten.



Holes are in line

Installation guide

- Use the 3 screws (Item No 13) to fix the bracket. the washers (Item No 12) are provided in case of need.
- Tighen the screws once the furniture door and the freezer door is perfectly attached.



A total of 3 mm washers must be placed on the FRZ Door on the condition that all furniture dimensions are suitable.

Washers to be used are determined based on the kitchen design.

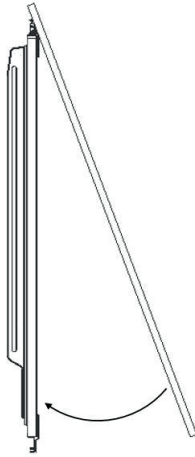


Warning

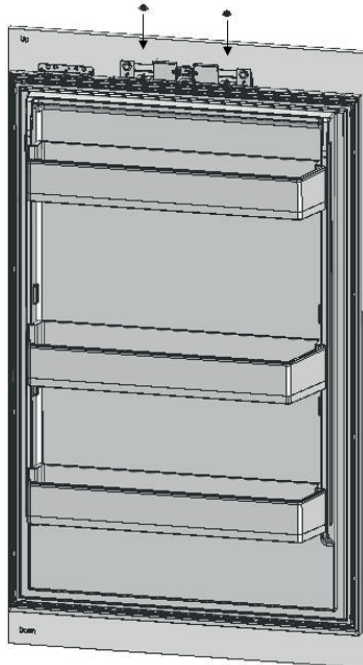
You will find more Crescent Washers than you need in the mounting box. You can use them if your kitchen design requires so.

Installing the furniture door

- Attach the furniture door to the door.

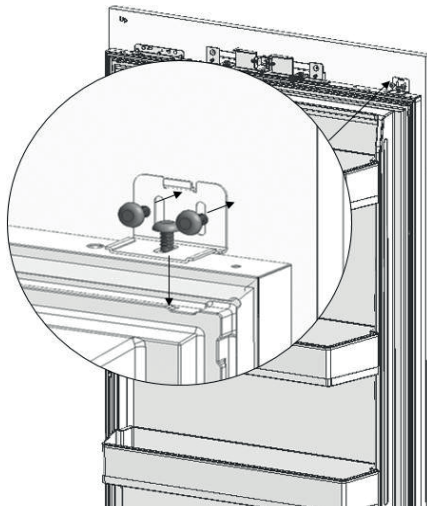
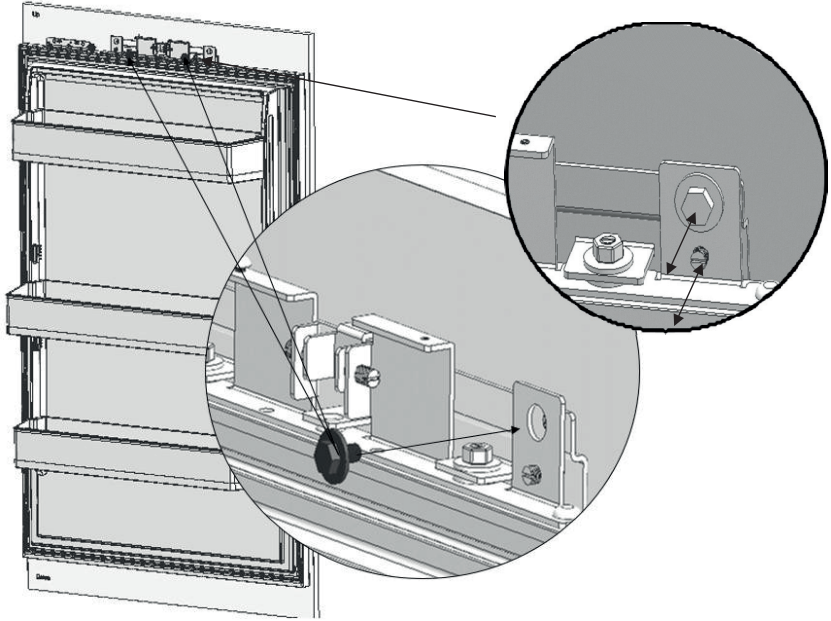


- Use the two screws removed from here to fix onto the adjusting bolts.



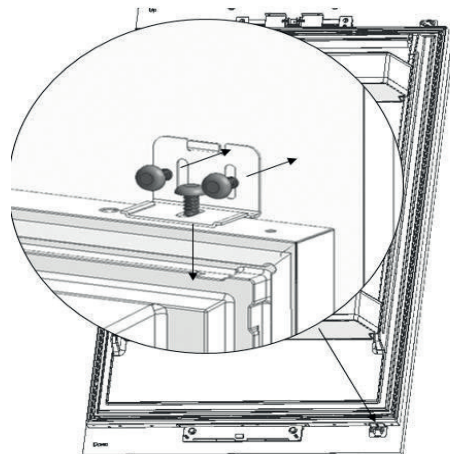
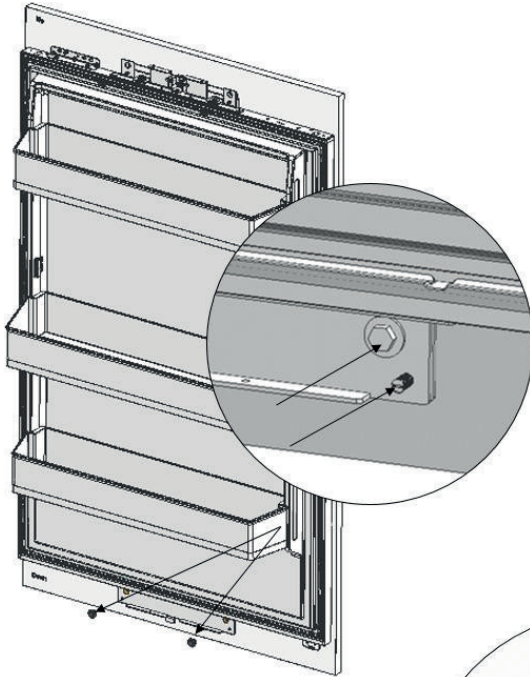
Installation guide

- Adjust from lower part of the door with **2 screws** removed from here together with **2 slotted screws**.
- Use the bracket (Item No 21) to join the furniture door and fridge door, use **2 screws** (Item No 20) and **1 screw** (Item No 22) to fix.

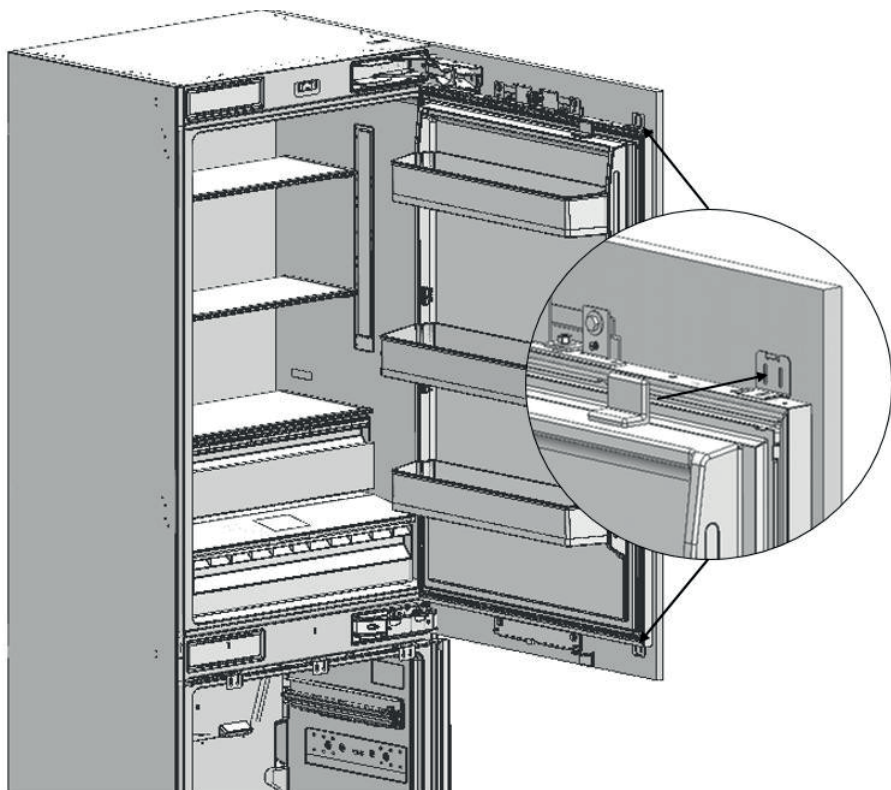


– Adjust from lower part of the door with **2 screws** removed from here together with **2 slotted** screws.

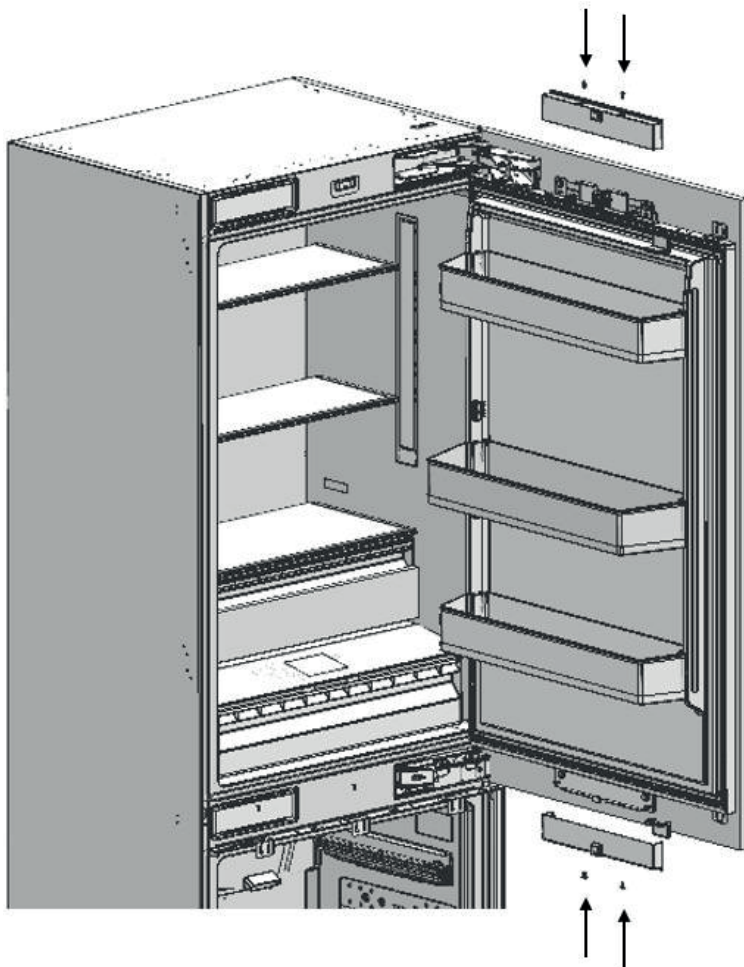
– Use the bracket (Item No 21) to join the furniture door and fridge door, use **2 screws** (Item No 20) and **1 screw** (Item No 22) to fix.



- Clip the decoration cover (Item No 19).



- Use the **4 screws** removed from here to fix the upper/lower decoration cover.



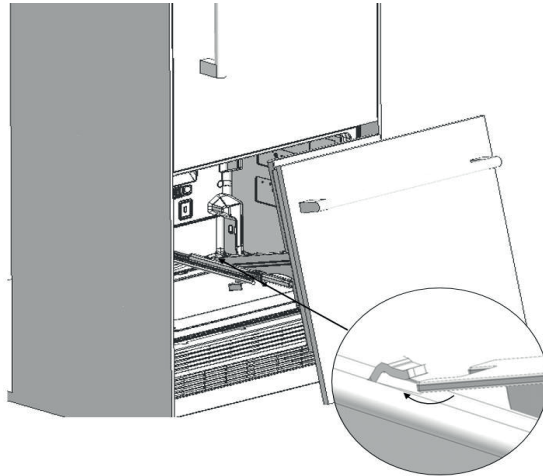


Warning

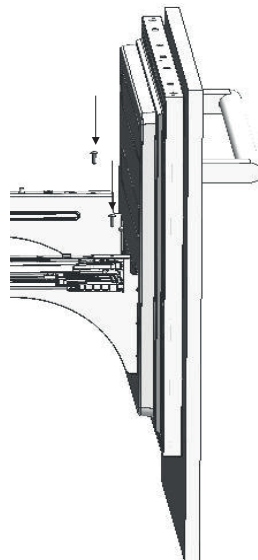
You will find more Crescent Washers than you need in the mounting box. You can use them if your kitchen design requires so.

Installing the Freezer Furniture Door

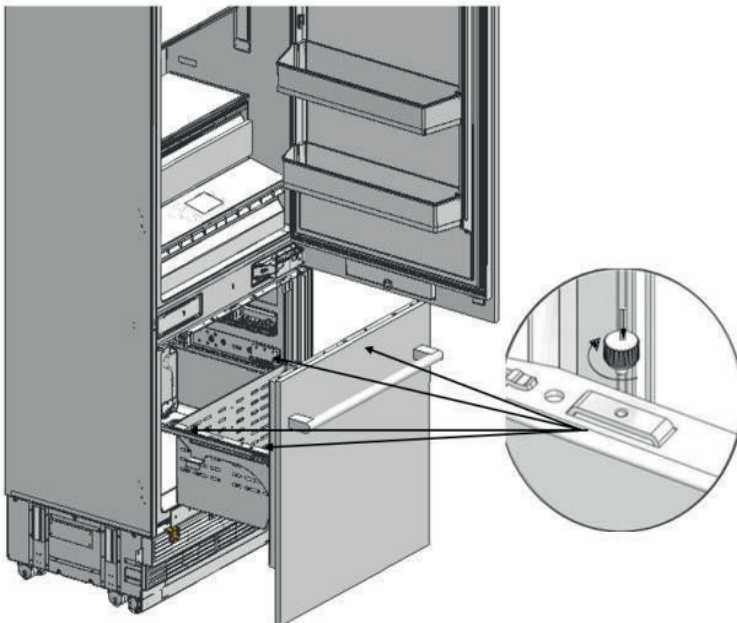
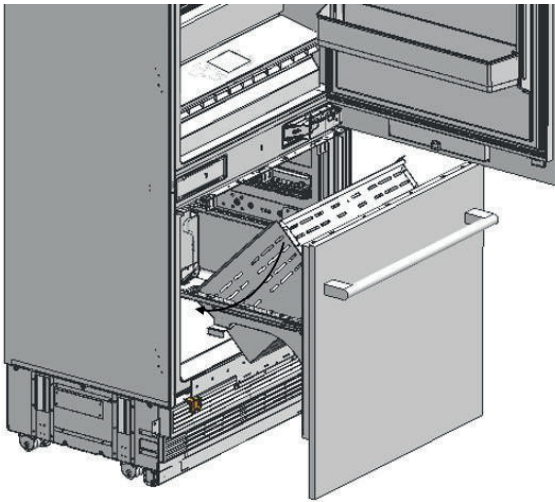
- Install the Freezer Furniture door assembly onto the rails.



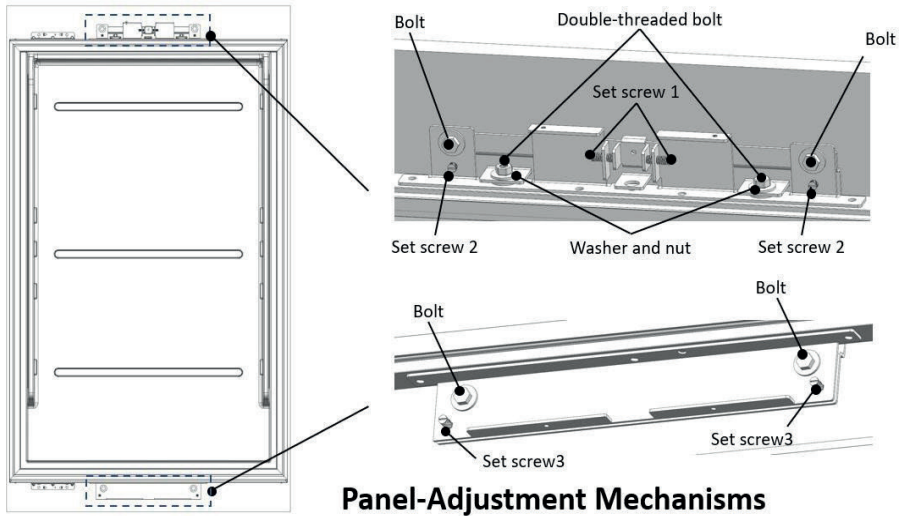
- Fix the Freezer Furniture door assembly onto the rails with **2 screws**.



- Locate the drawer onto the rail and tighten the screws.

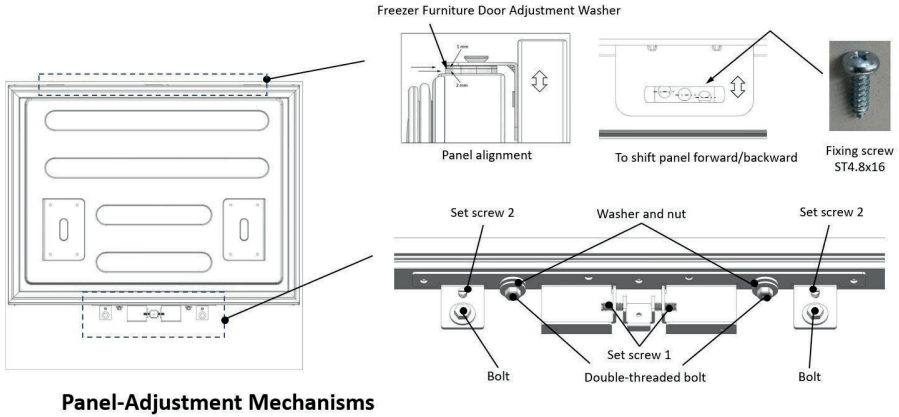


If need to adjust the Furniture Doors, and the operating principle of the mechanisms are shown below.



Panel-adjustment for fridge door

1. Use the double-threaded bolts to align the door panel
2. Engage set **screw 1** (see the graphic) to shift the panel side to side.
3. Engage set **screw 2** (see the graphic) to shift the panel forward/backward; engage bolt to set the panel top part in place.
4. Engage set **screw 3** (see the graphic) to shift the panel forward/backward; engage bolt to set the panel lower part in place.
5. Engage fixing washer and nut to set the panel in place.



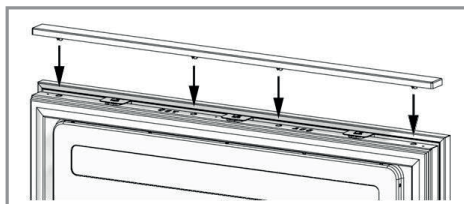
Panel-Adjustment Mechanisms

Panel-adjustment for freezer door

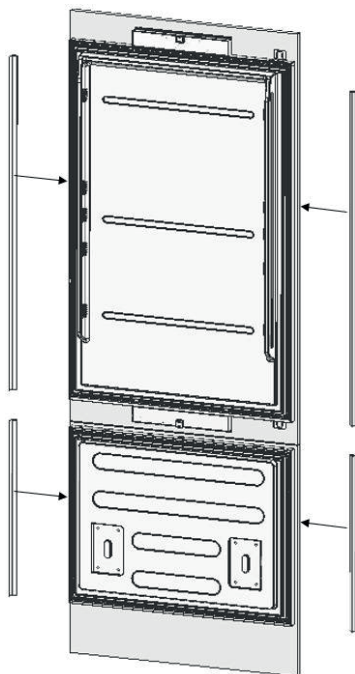
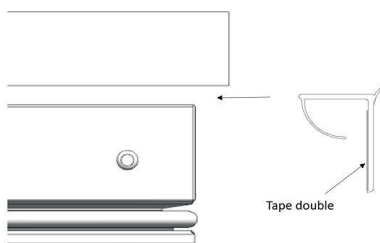
1. Use the freezer furniture door adjustment washer to align the door panel top part.
2. Engage set **screw 1** (see the graphic) to shift the panel side to side.
3. Select fixing hole (see the graphic) to shift the panel forward/backward; engage fixing screw to set the panel in place.
4. Engage set **screw 2** (see the graphic) to shift the panel forward/backward; engage bolt to set the panel in place.
5. Engage the double-threaded bolts fixing the door panel lower part.
6. Engage washer and nut fixing the panel lower part in place.

Installation guide

- Attach the FRZ Cover (5) using the tabs.



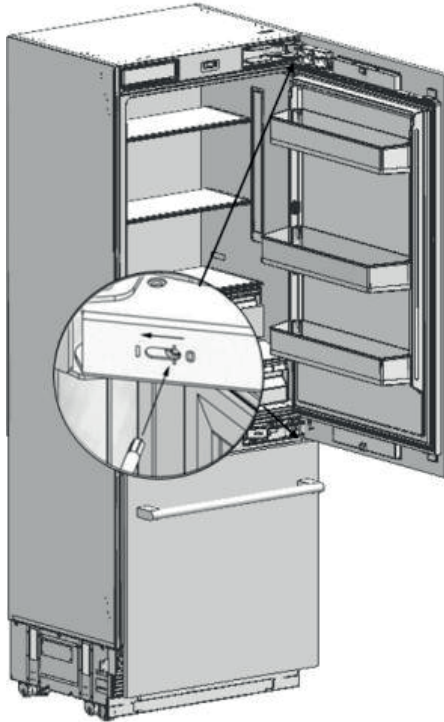
- Attach the side closing seals (2) (3).



Hinge adjustment

Adjusting the hardness of the hinges

– Use a drill to adjust the hardness of the upper and lower hinges of the FF Door. Set the hinge adjustment screw to position „I“ from position „O“.



Warning

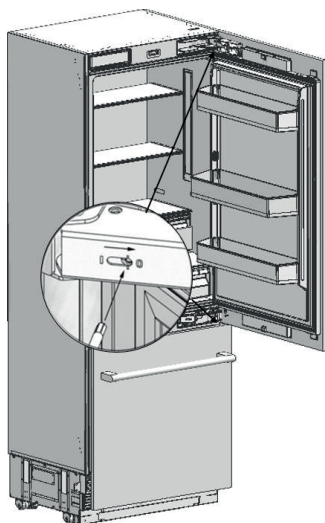
The door must be fully open during this adjustment.

This adjustment must definitely be performed after the door has been adjusted.

Changing the direction of the FF door

Removing the FF clad door

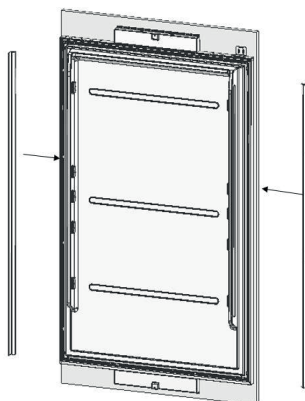
- Set the hardness level of the hinge to „0“.



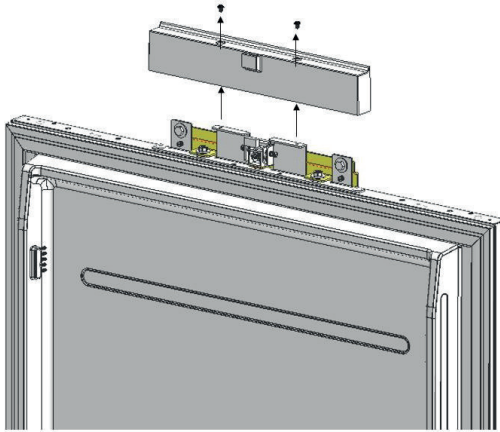
Attention

Failure to set the hinge to „0“ and continuing the installation like that may cause injury.

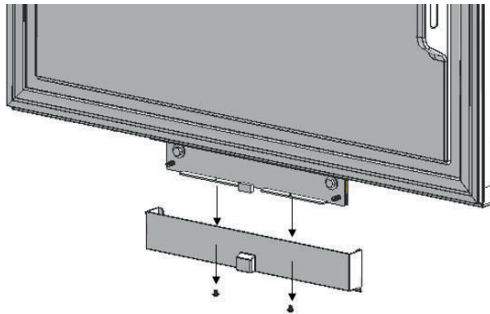
- Remove the side closing seals.



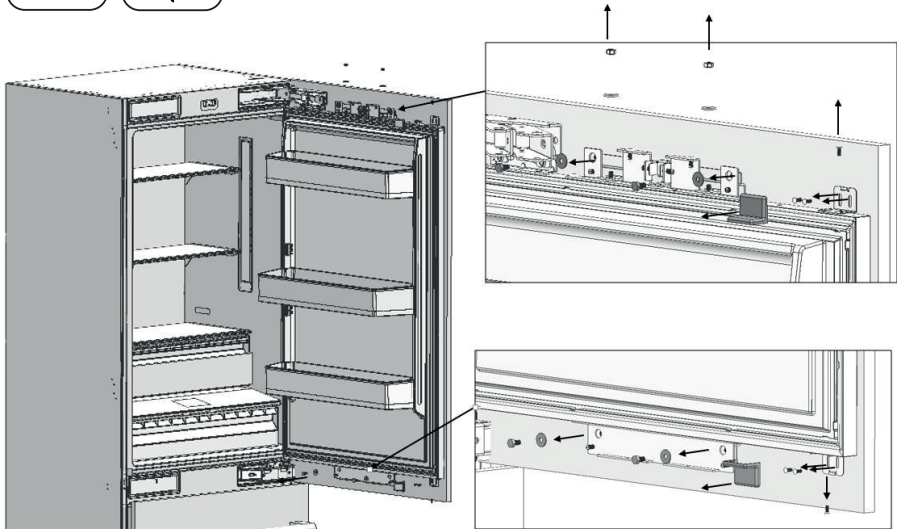
- Loosen **2 screws** of the Upper Cover of the Fridge Door and remove it.
- Remove the upper adjustment kits



- Loosen **2 screws** of the Lower Cover of the Fridge Door and remove it.



– Remove FF Lower and Upper Bracket screws.



– Remove the screw of FF Upper and Lower mechanisms.



Warning

The clad door will be released when these screws are removed.
You must take measures to prevent the door from falling.
You can tape the Furniture Door to the Inner Door or ask for help from another person.

- Take the Fridge Furniture Door and lay it down on a table upside down.
- You must attach the Furniture Door by rotating it **180°** based on its current position.

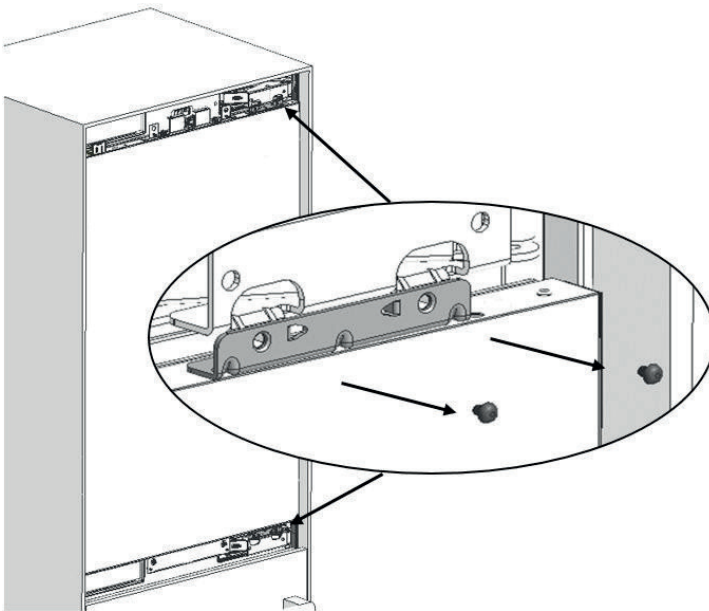
Removing and preparing the Fridge Inner Door

- Remove the hinge connection screws of the Hinge Brackets.



Attention

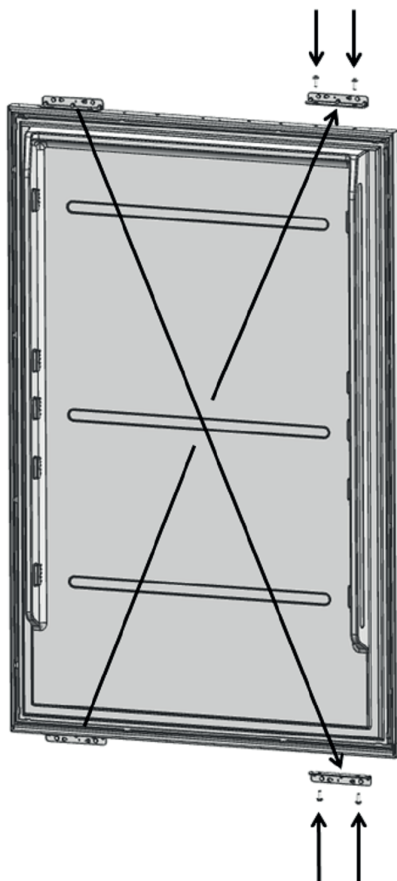
The clad door will be released when these screws are removed. You must take measures to prevent the door from falling. You can tape the Furniture Door to the Inner Door or ask for help from another person.



Take out the FF Door and lay it down on a table remove the fixing parts and screw them to the opposite side of the door.

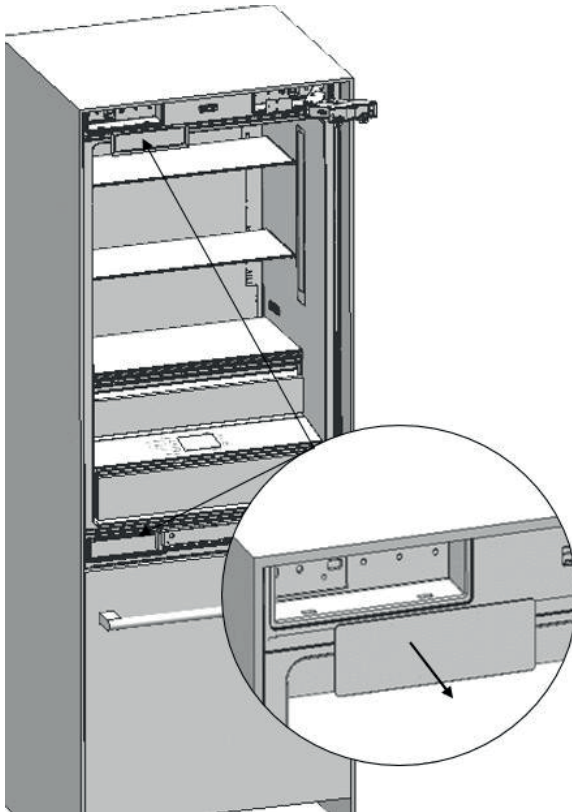
Installation guide

- Take out fridge door and lay it down on a table.
- Remove the hinge brackets on the fridge door and screw them as shown figure.



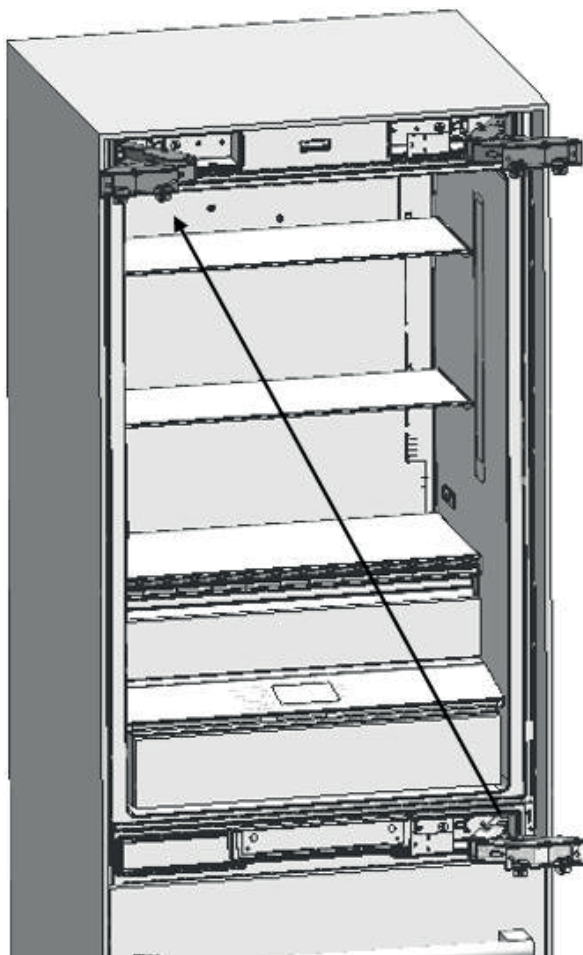
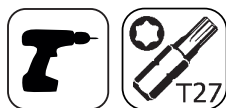
Replacing the hinges

- Remove the Hinge Caps located at the other side where you will fix the hinges.

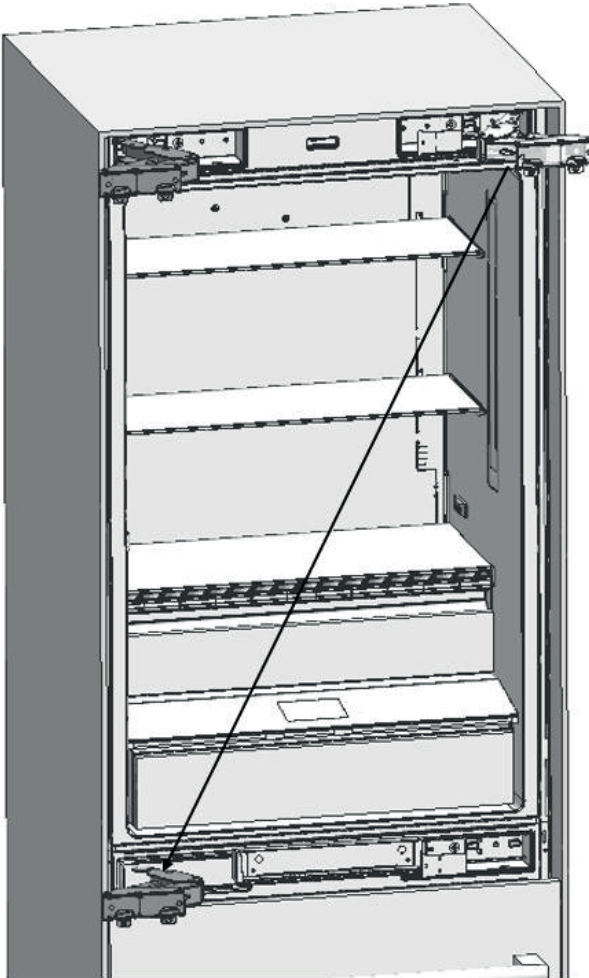


Installation guide

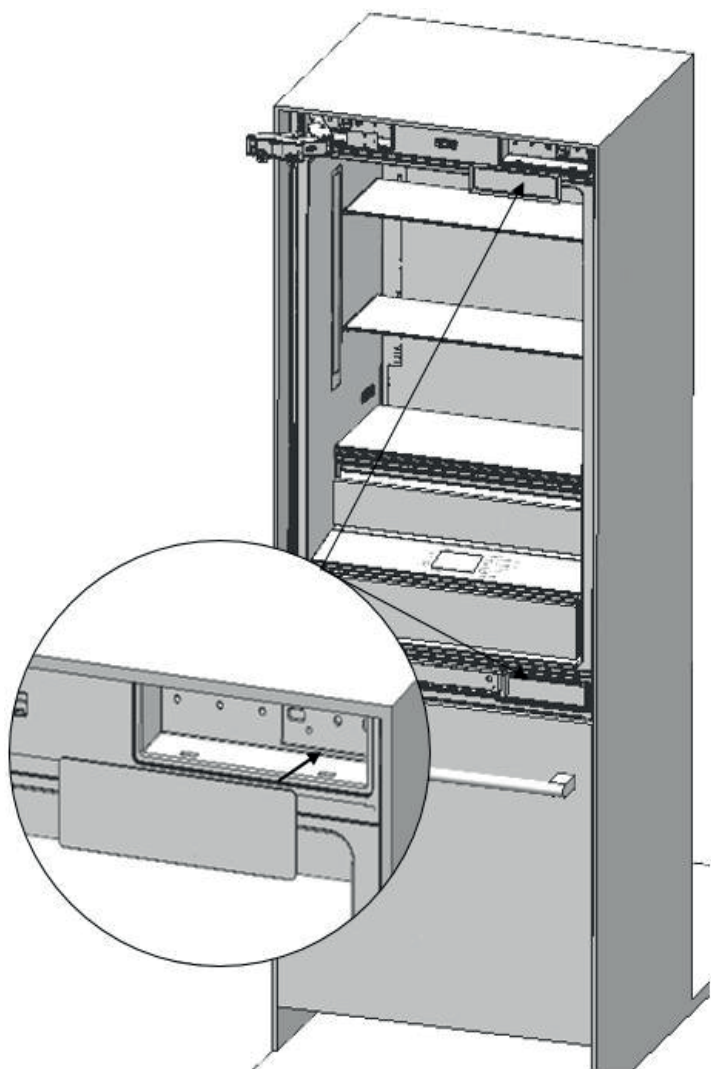
– Remove the lower right hinge by loosening its **2 screws** and fix it to its slot at the upper Left side.



- Remove the upper right hinge by loosening its **2 screws** and fix it to its slot at the lower Left side.

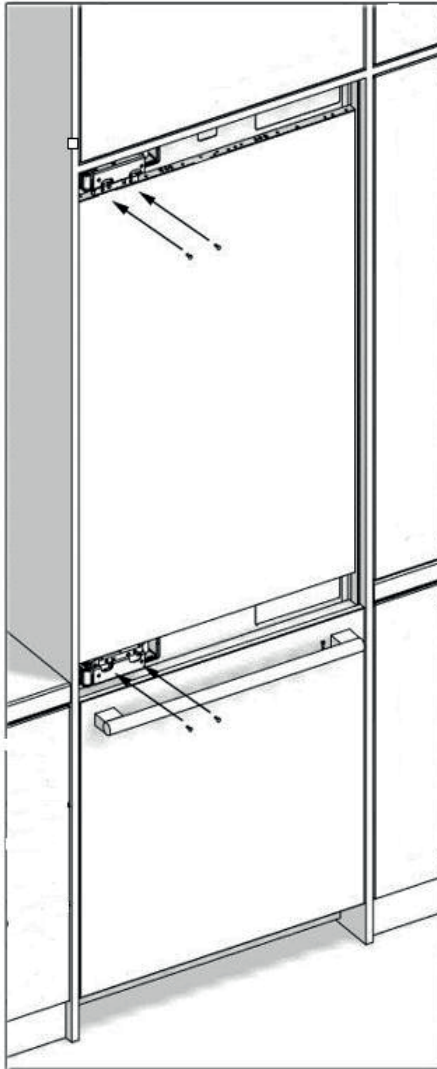


– Attach the Hinge Slot Caps removed from the left side to the Hinge Caps at the right side.



Installing the FF PU Door

- Place the Fridge Inner Door to the refrigerator and fix it with **4 screws**.



Safety Information

Please read this manual before using the product!

Dear Valued Customer,

We wish you to get the best results from your product that has been manufactured meticulously at modern plants and tested with detailed quality control checks.

For this reason, we recommend that you read this user manual thoroughly before starting the product.


If you hand over the product to someone else, please remember to give the user manual as well.

This manual will help you use your appliance in a fast and safe way.

- Please read this user manual carefully before installing and using the product.
- Always follow the applicable safety instructions.
- Keep the user manual in an easily accessible place for further use.
- Please read all the other documents provided with the product.

Please keep in mind that this manual may apply to several product models.

This manual expressly indicates the differences between various models.

A	Risk of injury and property damage.
B	Risk of electric shock.
C	Important information and useful hints.
	Packaging materials of this product has been manufactured from recyclable materials in accordance with the National Environment Regulations.

Important instructions regarding safety and environment

This chapter contains safety information that will help you avoid the risk personal injury or property damage. Failure to follow these instructions shall render any product warranty void.

1.1 General Safety

– This product can be used by children at **age 8** and above and those people who have limited physical, sensory or mental capabilities and people who lack experience and information on the condition that they have been given the instructions about the safe use of the product, they are supervised and the risks have been eliminated.

Children should not play with the product.

Cleaning and care should not be performed by children unless they are supervised by an adult.

– Unplug the product if you encounter a failure during use.

– If the product malfunctions, it must not be operated until repaired by the authorized service provider. Risk of electric shock!

– Plug the product into a grounded socket protected by a fuse that corresponds to the value on its nameplate.

Have a qualified electrician ground the product.

Our company cannot be held responsible for damages resulting from the failure to use the product with a grounded socket pursuant to local regulations.

– Unplug the product when not in use.

– Never wash the product by spreading or pouring water onto it! Risk of electric shock!

– Never touch the plug with wet hands!

– Never unplug the product by pulling the cable.

– Always pull the plug by holding the socket.

– Do not plug the refrigerator if the wall socket is loose.

– Never connect your refrigerator to energy saving devices.

– Such systems are harmful to your product.

– Unplug the product during installation, care, cleaning and repairing procedures.

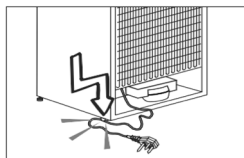
– Always have the **Authorized Service Provider** install the product and establish its electrical connections.

The manufacturer cannot be held responsible for damages caused by procedures performed by unauthorized persons.

– Do not eat cone ice cream or ice cubes immediately after you take them out of the freezer compartment! This may cause frostbite in your mouth!

– Do not touch frozen food with wet hands! They may stick to your hand!

– Do not put bottled or canned liquid beverages in the freezer compartment. They may burst!



Important instructions regarding safety and environment

– Never use steam or steam cleaners to clean or defrost the refrigerator. Steam gets into contact with the live parts in your refrigerator, causing short circuit or electric shock!

– Do not use mechanical devices or other means to accelerate the defrosting process other than those recommended by the manufacturer.

– Never use the parts in your refrigerator such as the door and drawer as a means of support or step. This may cause the product to tip over or damage the parts of it.

– Do not damage the parts where the refrigerant is circulating with drilling or cutting tools.

The refrigerant that might blow out when the gas channels of the evaporator, pipe extensions or surface coatings are punctured causes skin irritations and eye injuries.

– Do not cover or block the ventilation holes in your refrigerator with any object.

– Place the beverage with higher proofs tightly closed and vertically.

– Do not use gaseous sprays near the product since there is the risk of fire or explosion!

– Flammable items or products that contain flammable gases (e. g. spray) as well as explosive materials should never be kept in the appliance.

– Do not place vessels filled with liquid onto the product. Splashing water on an electrical part may cause electric shock or the risk of fire.

– Do not store items that need precise temperature adjustment (such as vaccines, heat-sensitive medication, science materials etc.) in the refrigerator.

– If you are not going to use the product for a long time, unplug it and remove the food in it.

– If there is a blue light on the refrigerator, do not look at this light with optical tools.

– Exposing the product to rain, snow, sun or wind is dangerous in terms of electrical safety.

– In products with mechanical control (thermostat), wait for **5 minutes** to plug in the product again after unplugging.

– Do not overload the refrigerator. Objects in the refrigerator may fall down when the door is opened, causing injury or damage. Similar problems may arise if any object is placed onto the product.

– If the product has a door handle, do not pull the handle when re-locating the product. The handle might be loose.

– Be careful not to jam your hand or any other body part in the moving parts of the refrigerator.

– Do not put your hand or any other foreign materials into the ice machine while it is operating.

– Never use steam or steam cleaners to clean or defrost the refrigerator. Steam gets into contact with the live parts in your refrigerator, causing short circuit or electric shock!

– Do not use mechanical devices or other means to accelerate the defrosting process other than those recommended by the manufacturer.

- Never use the parts in your refrigerator such as the door and drawer as a means of support or step. This may cause the product to tip over or damage the parts of it.
- Do not damage the parts where the refrigerant is circulating with drilling or cutting tools. The refrigerant that might blow out when the gas channels of the evaporator, pipe extensions or surface coatings are punctured causes skin irritations and eye injuries.
- Do not cover or block the ventilation holes in your refrigerator with any object.
- Place the beverage with higher proofs tightly closed and vertically.
- Do not use gaseous sprays near the product since there is the risk of fire or explosion!
- Flammable items or products that contain flammable gases (e. g. spray) as well as explosive materials should never be kept in the appliance.
- Do not place vessels filled with liquid onto the product. Splashing water on an electrical part may cause electric shock or the risk of fire.
- Do not store items that need precise temperature adjustment (such as vaccines, heat-sensitive medication, science materials etc.) in the refrigerator.
- If you are not going to use the product for a long time, unplug it and remove the food in it.
- If there is a blue light on the refrigerator, do not look at this light with optical tools.
- Exposing the product to rain, snow, sun or wind is dangerous in terms of electrical safety.
- In products with mechanical control (thermostat), wait for **5 minutes** to plug in the product again after unplugging.
- Do not overload the refrigerator. Objects in the refrigerator may fall down when the door is opened, causing injury or damage. Similar problems may arise if any object is placed onto the product.
- If the product has a door handle, do not pull the handle when re-locating the product. The handle might be loose.
- Be careful not to jam your hand or any other body part in the moving parts of the refrigerator.
- Do not put your hand or any other foreign materials into the ice machine while it is operating.

1.2 Intended Use

- This product has been designed for domestic use. It is not suitable for commercial use and it must not be used out of its intended use.
- It must be used only for storing food.
- The manufacturer will not take any responsibility for damages resulting from improper use or transport.
- Original spare parts will be available for **10 years** after the purchase date of the product.

1.3 Children's Safety

- If there is a lock on the door of the product, the key should be kept out of the reach of children.
- Do not let children play with the product.

<h1>A</h1>	<p>Danger: Before disposing your old refrigerator or freezer:</p> <ul style="list-style-type: none">– Children may get locked inside.– Remove the doors.– Leave the shelves to prevent children from getting inside the product easily.
------------	--

1.4 Compliance with the WEEE Directive and Disposing the Waste Product:

This product conforms to the EU WEE Directive (2012/19 EU).

This product bears a classification symbol for waste electrical and electronic equipment (WEEE).

This product has been manufactured from high quality parts and materials which can be reused and are suitable for recycling.

Therefore, do not dispose the product with normal domestic waste or other waste at the end of its service life.

Take it to a collection center for recycling electrical and electronic equipment.

Please consult local authorities to learn about the locations of such collection center.




1.5 Compliance with the RoHS Directive:

The unit you have purchased conforms to the EU RoHS Directive (2011/65/AB). It does not contain harmful or prohibited materials specified in the Directive.

1.6 Packaging Information

- Packaging materials of the product have been manufactured from recyclable materials in accordance with our National Environment Regulations.
- Do not dispose the packaging materials with normal domestic waste or other types of waste.
- Take these materials to a recycling point designated by local authorities.

	<p>Danger: Risk of Fire or Explosion:</p> <ul style="list-style-type: none">– This product uses flammable refrigerant.– Do not use mechanical devices to defrost the refrigerator.– Do not use chemicals for cleaning.– Do not pierce the refrigerant pipe.– If the refrigerant pipe is pierced, it must be repaired only by licensed service personnel.– Please consult the repair/user manual before cleaning the product. <p>All safety instructions must be followed.</p> <ul style="list-style-type: none">– Dispose the product according to federal or local regulations.
---	---

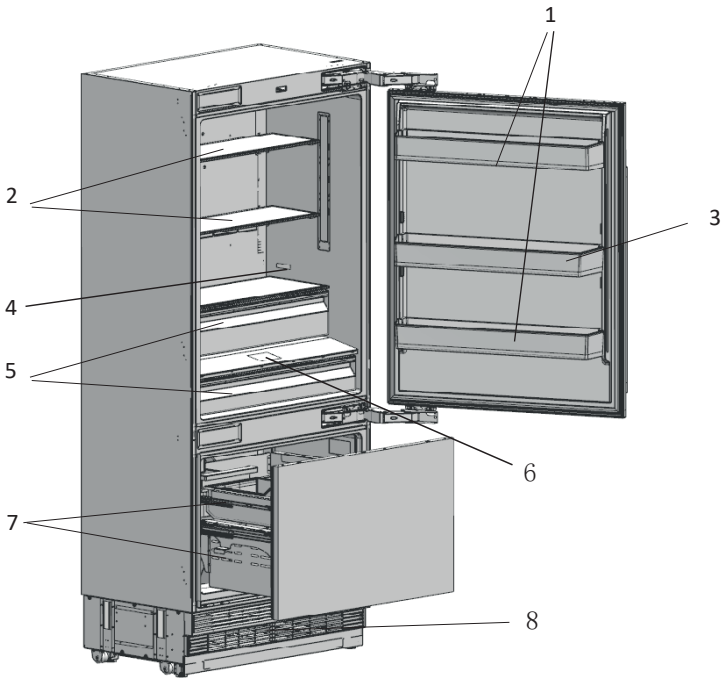
1.7 Hydrocarbon (HC) Warning

- If your product's cooling system contains R-600a. This gas is flammable. Therefore, pay attention not to damage the cooling system or the piping during use and transportation.
- If damaged, keep the product away from potential fire sources that may cause it to catch fire and ventilate the room where the product is placed.

Important instructions regarding safety and environment

C	If the product is damaged and if you see gas leak, please keep away from the gas. It may cause frostbite when it gets into contact with the skin (including R134).
C	Ignore this warning if the cooling system of your product contains R134a.
C	Type of gas used in the product is stated on the type plate which is on the left wall inside the refrigerator.
A	Warning: Never throw the product into fire for disposal.

Refrigerator components list MBI453MaxPro,
MBI558MaxPro

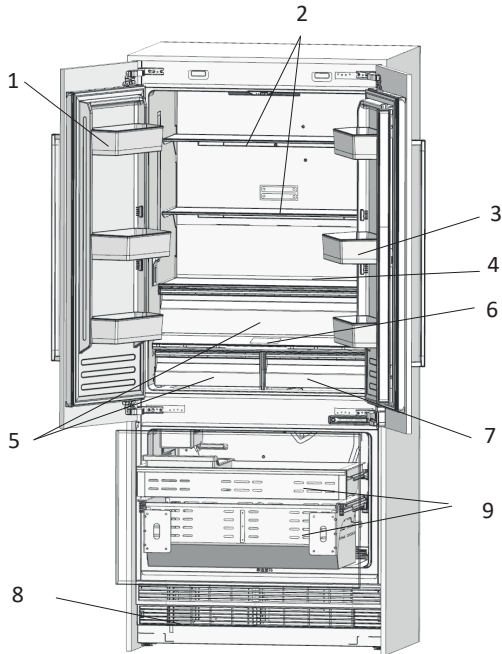


- | | |
|--|--------------------|
| 1. Door bin | 5. Crisper |
| 2. Body shelf (adjustable height) | 6. Control display |
| 3. Gallon door bin (adjustable height) | 7. Freezer drawer |
| 4. Odour filter | 8. Condenser |

May not be available in all models

C	<p>Figures in this user manual are schematic and may not match the product exactly. If your product does not have the relevant parts, the information applies to other models.</p>
---	--

MBI552FDMaxPro



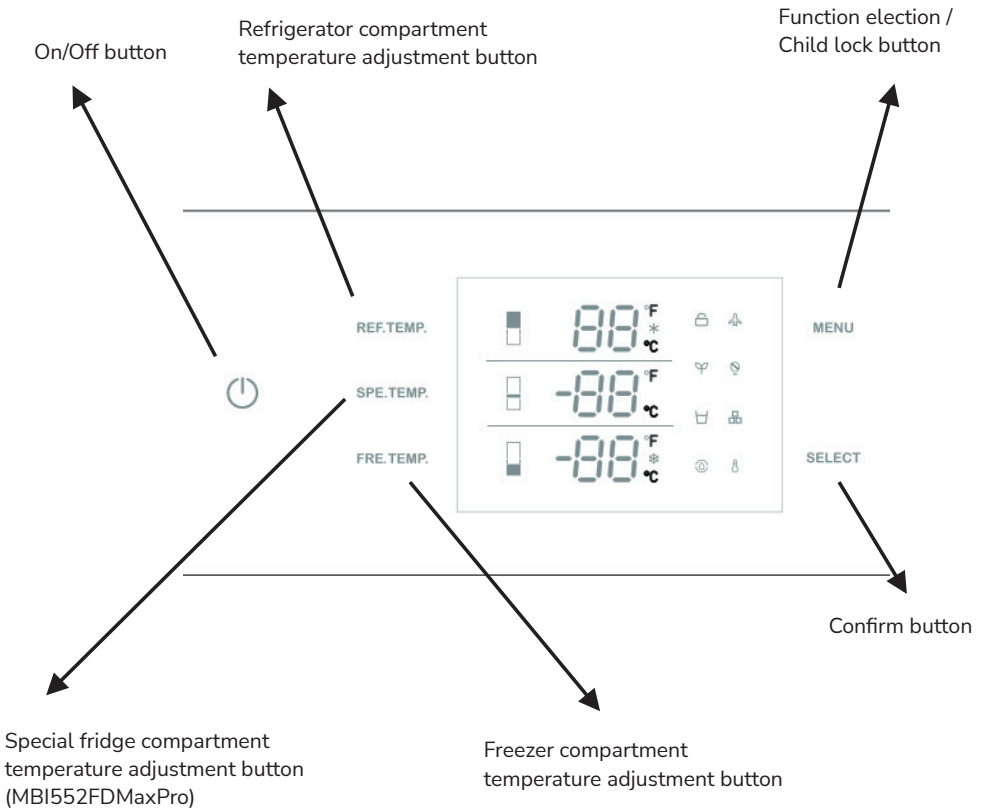
- | | |
|--|------------------------------------|
| 1. Door bin | 6. Control display |
| 2. Body shelf (adjustable height) | 7. Special temperature compartment |
| 3. Gallon door bin (adjustable height) | 8. Condenser |
| 4. Odour filter | 9. Freezer drawer |
| 5. Crisper | |

May not be available in all models

C

Figures in this user manual are schematic and may not match the product exactly. If your product does not have the relevant parts, the information applies to other models.

Display panel set upInstructions



May not be available in allmodels

C	<p>Figures in this user manual are schematic and may not match the product exactly. If your product does not have the relevant parts, the information applies to other models.</p>
---	--

1. On/Off button

Serves to switch the whole appliance **On** and **Off**. Press the button to switch on the product, the product will be switched on in **5 seconds**. Press the on/off button for **1.5 seconds** to switch off.

2. Function election / Child lock button

The child lock is a feature for preventing children from changing the product settings. by pressing **MENU** button for **3 seconds**, you may lock/unlock the control panel. The lock symbol will illuminate on the display when this function is enabled

3. Refrigerator compartment temperature adjustment button

Press the **REF TEMP** button to adjust the temperature from **36 °F (2 °C) to 46 °F (8 °C)**. The best temperature for fresh food compartment is **39 °F (4 °C)**.

4. Special fridge compartment temperature adjustment button

Press the **SPE TEMP** button to change the special fridge compartment temperature from **30 °F (-1 °C) to 41 °F (5 °C)**.

5. Freezer compartment adjustment button

Press the **FRE TEMP** button to change the freezer compartment temperature from **5 °F (-15 °C) to -11 °F (-24 °C)**.

* Super freezing function will be enabled if keep pressing after **-11 °F (-24 °C)**.

When the snow symbol illuminate on the display the super freezer function will be enabled.

NOTE: The defaulted temperature setting is **41 °F (5 °C)** for fridge compartment, **36 °F (2 °C)** for special fridge compartment and **0 °F (-18 °C)** for freezer compartment.

6. Holiday Mode

Press the **MENU** button till the holiday symbol illuminates, then press the **SELECT** button to enable the function.

When the **Holiday Mode** function is enabled, the fridge temperature will be set at **63 °F (17 °C)** and freezer temperature set at **0 °F (-18 °C)**.

NOTE: Do not place food in the fresh food compartment when **Holiday Mode** is enabled.

7. Sabbath Mode

Press the **MENU** button till the **Sabbath Mode** symbol illuminates, then press the **SELECT** button to enable the function. When the **Sabbath Mode** function is enabled, all lights, buzzers, display panels will be switch off.

8 Eco Mode

Press the **MENU** button till the **Eco Mode** illuminates, then press the **SELECT** button to enable the function. When the **Eco Mode** function is enabled, the fridge temperature will be set at **46 °F (8 °C)** and freezer temperature set at **5 ° F (-15 °C)** automatically.

9. Celsius and Fahrenheit selection

Press the **MENU** button till the **Celsius and Fahrenheit selection** symbol illuminates to change between **Celsius and Fahrenheit**. After that press the **SELECT** button to confirm.

Before using the refrigerator

4.1 Things to do for energy saving

A	Connecting your refrigerator to systems that save energy is dangerous as they may cause damage on the product.
----------	--

- Do not leave the doors of your refrigerator open for a long time.
- Do not put hot food or drinks in your refrigerator.
- Do not overload the refrigerator. Cooling capacity will fall when the air circulation in the refrigerator is hindered.

- Do not place the refrigerator in places subject to direct sunlight.

Install the product at least **30 cm** away from heat sources such as hobs, ovens, heater units and stoves and at least **5 cm** away from electrical ovens.

- Pay attention to store your food in refrigerator in closed containers.

- You can remove the drawer shelf of the freezer compartment to fill the freezer compartment with maximum amount of food

The given energy consumption value of the refrigerator has been determined with the freezer compartment shelf or the drawer removed and the refrigerator

Filled with maximum amount of food.

There is no harm in using a shelf or drawer according to the shapes and sizes of food to be frozen.

- Thawing the frozen foods in the fridge compartment both saves energy and reserves the quality of the foods.

C	Temperature of the room where your refrigerator is located should at least be 10 °C/50 °F. Operating your refrigerator under cooler conditions is not recommended with regard to its efficiency.
C	inside of your refrigerator must be cleaned thoroughly.
C	If two coolers are to be installed side by side, there should be at least 4 cm distance between them.

4.2 Recommendations About the Fresh Food Compartment

- Make sure that the food does not touch the temperature sensor in fresh food compartment. To allow the fresh food compartment to keep its ideal storage temperature, the sensor must not be hindered by food.
- Do not place hot foods or beverages inside the product.

4.3 Initial use

Before using the product, make sure that all preparations have been made in accordance with the instructions given in the „Important instructions regarding safety and environment“ and „Installation Instruction“ chapters.

- Clean the interior of the refrigerator as recommended in the „Maintenance and cleaning“ section. Before you start the refrigerator, make sure that the interior is dry.
- Plug the refrigerator in a grounded socket. The interior illumination is lit when the door of the refrigerator is opened.
- Operate the refrigerator for **6 hours** without placing any food in it and do not open its door unless it is necessary.

C	<p>You will hear a noise when the compressor starts up. The liquids and gases sealed within the refrigeration system may also give rise to noise, even if the compressor is not running and this is quite normal.</p>
C	<p>Front edges of the refrigerator may feel warm. This is normal These areas are designed to be warm to avoid condensation.</p>

Operating the product

5.1 Dual Cooling System

Your refrigerator is equipped with two separate cooling systems to cool the fresh food compartment and freezer compartment.

Thus, the air and odor in the fresh food compartment and the frozen food compartment do not get mixed.

Thanks to these two separate cooling systems, cooling speed is much higher than that of other refrigerators. Also additional power saving is provided since the defrosting is performed separately.

5.2 Freezing Fresh Food

Wrap the foods or place them in a covered container before putting them in the refrigerator.

- Hot foods and beverages must cool down to the room temperature before you put them in the refrigerator.

- The foodstuff that you want to freeze must be fresh and in good quality.

- Divided the food into portions according to your family's daily or meal based consumption needs

- Pack the foods in an airtight manner to prevent them from drying even if they are going to be stored for a short time.

- Materials to be used for packaging must be tear-proof and resistant to cold, humidity, odor, oils and acids and they must also be airtight. Moreover, they must be well closed and they must be made from easy-to-use materials that are suitable for deep-freezers

- Frozen food must be used immediately after they are thawed and they should never be refrozen.

- Do not freeze too large quantities of food at one time.

- The quality of the food is best preserved when it is frozen right through to the core as quickly as possible.

- Placing warm food into the freezer compartment causes the cooling system to operate continuously until the food is frozen solid.

5.3 Recommendations for Storing Frozen Food

- Frozen foods you purchase must be stored according to the conditions and temperature determined by the food manufacturer.

- Note the following to ensure that the high quality achieved by the frozen food manufacturer and the food retailer is maintained:

1. Put packages in the freezer as quickly as possible after purchase.

2. Make sure that the content of the package is labeled and dated.
3. Check whether the „Use By“ or „Best Before“ date on the packaging is expired or not.

5.4 Placing the food

Freezer compartment shelves	Various frozen food such as meat, fish, ice cream, vegetables etc.
Egg tray	Eggs.
Fridge compartment shelves	Food in pans, covered plates and closed containers.
Door shelves of fridge compartment	Small and packaged foods or beverages (such as milk, fruit juice, beer and etc.)
Crisper	Vegetables and fruits.
Special fridge compartment	Delicatessen products (cheese, butter, salami etc.).

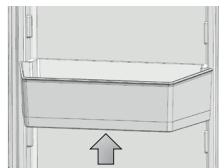
5.5 Operating temperature

Freezer	Fridge	Remarks
-18 °C / 0 °F	4 °C / 39 °F	This is the recommended normal setting.
-20 °C / -4 °F	3 °C / 37 °F	These settings are recommended when the ambient temperature is above 30 °C/86 °F.
Quick Freeze	4 °C / 39 °F	Use when you wish to freeze your food in a short time. Your refrigerator will return to its previous mode when the process is over.
-24 °C / -12 °F	2 °C / 35 °F	Use these settings if you think that your fridge compartment is not cold enough because of the hot ambient conditions or frequent opening and closing of the door.
-18 °C / 0 °C For colder	Quick Fridge	Use this function when you place too much into the fridge compartment or when you need to cool your food quickly. It is recommended that you activate Quick Fridge function 4-8 hours before placing the food.

Recommended Operating Temperature:
Fridge: 4 °C / 39 °F, Freezer: -18 °C / 0 °F

5.6 Door bin

To remove, lift up the door bin and then pull out straight.



5.7 Glass shelves

To remove a shelf

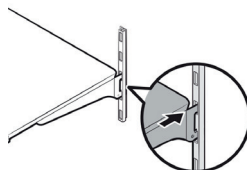
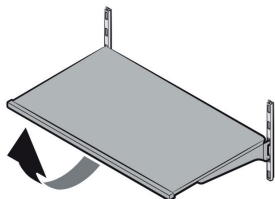
- Fully open the corresponding door.
- Hold the front of the shelf, and then gently lift up and slide out.

To reinsert

- Hold the shelf at an angle so the front is higher than the back, and then insert the top hook into the top shelf notch.
- Put down the front slightly.

Note

Use care when handling glass shelves to prevent breakage or scratching the interior.



A	Attention: Glass shelves must be unloaded.
A	Attention: You must wait for the glass shelves to reach room temperature before immersing them in water for cleaning.
A	Attention: The door may not be closed if the door shelves are positioned at the same level as glass shelves. Make sure that the door is closed after placing the shelves.

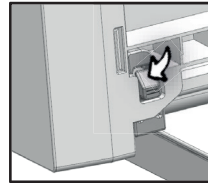
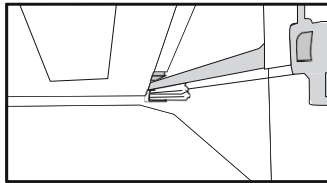
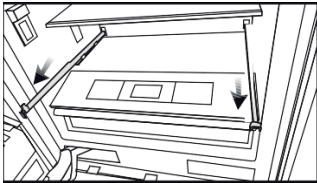
5.8 Crisper compartment

To remove the crisper

- Pull the crisper until it stops.
- Slightly unclip the front section of the drawer and take it out completely.

To install the crisper

- Pull the rails completely.
- Place the gap at the rear corners of the crisper to the detail located at the rear corners of the rails.
- Push the crisper slowly down until you feel it clip front onto the rails.



C	Make sure that the details at the right and left-hand sides are fixed when installing the crisper.
C	Never leave the vegetables in their plastic bags in the crisper. If they are left in their plastic bags they will rot in a short period of time.

The crisper compartment preserves the humidity of your vegetables, allowing you to store them for a long time without having to keep them in their bags.

If you do not prefer the vegetables to get into contact with other vegetables due to hygienic reasons, you can use perforated paper, foam or a similar material instead of plastic bags.

While the vegetables are being replaced, their specific weights should be taken into consideration. Heavy and hard vegetables must be placed at the bottom of the crisper and light and soft vegetables must be on the upper part.

Pears, kiwis, tomatoes, cucumbers, apricots, peaches, broccolis, lettuces, cabbages, parsley and spinach are fruits and vegetables that emit ethylene gas.

Do not place them into the same crisper with other fruits and vegetables.

The ethylene gas emitted by these foods cause other fruits and vegetables to ripen sooner and to rot in a shorter span of time.

Do not remove the main body of the crisper from the refrigerator separately unless you have to do so.

5.9 Special fridge compartment

You can control the temperature in this section to store your food such as fish, meat, vegetables and delicatessen products for a longtime.

C	Removal/installation procedures of the special fridge compartment are same as that of the crisper.
----------	--

5.10 Freezer Crisper

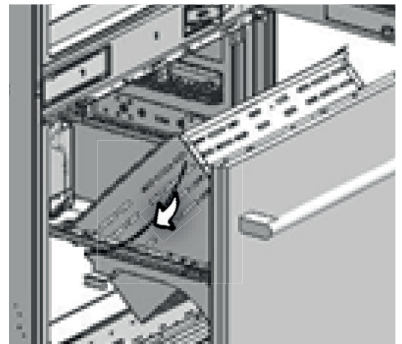
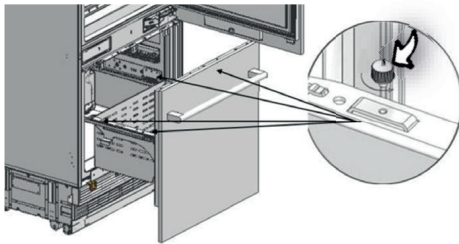
The freezer compartment store your foods at a temperature between **-24 °C** and **-18 °C** to keep them fresh for a long time.

To remove the crisper

- Open the freezer door until it stops.
- Unscrew drawer fixing screw and take it out carefully.

To install the crisper

- Open the freezer door until it stops.
- The crisper slowly down and screw drawer fixing bolt.



Care and cleaning

Service life of the product will extend and frequently encountered problems will decrease if the product is cleaned periodically.

Never use gasoline, benzene or similar substances for cleaning purposes.

Never use any sharp abrasive instruments, soap, household cleaners, detergent or wax polish for cleaning.

Dissolve one teaspoon of carbonate in half liter of water. Soak a cloth in the solution and wring it thoroughly. Wipe the interior of the refrigerator with this cloth and the dry thoroughly.

Make sure that no water enters the lamp housing or other electrical parts.

If you will not use the refrigerator for a long time, unplug it, remove all food inside, clean it and leave the door ajar.

Check regularly that the door gaskets are clean. If not, clean them.

Take out all items in the product to remove the door and body shelves.

Remove the door shelves by pulling them up. Slide the shelves downwards to re-install them after cleaning.

Never use chloric cleaning agents or water to clean outer surfaces or chrome-coated parts of the product. Chlorine causes abrasion on such metal surfaces.

6.1 Avoiding Bad Odors

Materials that may cause odor are not used in the production of our refrigerators. However, odor may be emitted if foods are stored improperly or if the inner surface of the product is not cleaned as required. Please consider the following to avoid this problem:

It is important that the refrigerator is kept clean.

Food residuals, stains, etc. can cause odor.

For this reason, clean your refrigerator with carbonate solved in water every **15 days**. Never use detergents or soap.

Keep your foods in closed vessels. Microorganisms emitted from vessels without a cover may cause unpleasant odors.

Never keep expired or spoiled foods in your refrigerator.

6.2. Protecting the Plastic Surfaces

Do not put liquid oils or oil-cooked meals in your refrigerator in unsealed containers as they damage the plastic surfaces of your refrigerator.

If oil is spilled or smeared onto the plastic surfaces, clean and rinse the relevant part of the surface with warm water immediately.

B	Warning: Switch off the product before cleaning.
B	Warning: It is recommended to clean the condenser every six months using gloves. You must not use vacuum cleaners.

6.3 Cleaning the Inner Surface

To clean the inner surfaces and all removable parts, wash them with a mild solution comprising soap, water and carbonate.

Rinse and dry thoroughly.

Prevent the water from contacting the lighting means and control panel.

6.4 Stainless Steel Outer Surfaces

Use a stainless steel cleaning agent that is non-abrasive and apply it with a lint-free, soft cloth.

For polishing, wipe the surface softly with a damp microfiber cloth and use dry wash-leather.

Always follow the strands of the stainless steel.

A	Attention: Do not use vinegar, rubbing alcohol or other alcohol-based cleaning agents on any of the inner surfaces.
----------	---

Trouble Shooting

Please review this list before calling the service.

This will save you time and money.

This list contains frequently encountered problems that are not results of faulty workmanship or material use.

Your product may not have some of the features described here.

The refrigerator is not operating.

- It may not be plugged in properly.

Plug in the product properly.

- The fuse of the socket to which your refrigerator is connected or the main fuse may have blown.

Check the fuse.

The condensation on the fridge compartment.

- The door may have been opened/closed frequently.

Do not open/close the refrigerator door frequently.

- The environment may be too humid.

Do not install the refrigerator at locations with a very high level of humidity.

- Foods containing liquid may have been placed into the refrigerator in vessels without covers.

Do not place foods containing liquid into the refrigerator in unsealed vessels.

- Door of the refrigerator may have been left ajar.

Do not keep the doors of your refrigerator open for a long time.

The compressor is not operating.

Protective thermal of the compressor will blow out during sudden power failures or plug-out plug-ins as the refrigerant pressure in the cooling system of the refrigerator has not been balanced yet.

- The refrigerator will start running approximately after 6 minutes. Please call the Authorised Service Provider if the refrigerator does not start at the end of this period.

- The freezer is in defrosting cycle.

This is normal for a refrigerator that performs full-automatic defrosting. Defrosting cycle is performed periodically.

- The refrigerator may not be plugged in.

Make sure that the plug fits the socket.

- Temperature settings may be incorrect.

Select the correct temperature value.

- Possible power failure.

The refrigerator will start to operate normally when power restores.

The operation noise increases when the refrigerator is running.

Operating performance of the refrigerator may vary based on the ambient temperature changes.

This is normal and not a fault.

Vibration or noise.

– The floor may not be stable or level.

If the refrigerator shakes when moved slightly feed to balance it.

Make sure that the floor is level and capable of carrying the refrigerator.

– Objects placed onto the refrigerator may cause noise.

Remove the objects on therefrigerator.

There are noises coming from the refrigerator like liquid spilling or spraying.

– Liquid and gas flows occur in accordance with the operating principles of the refrigerator. This is normal and not a fault.

Whistle is heard from the refrigerator.

– There are fans that are used to cool the refrigerator.

This is normal and not a fault.

Damp accumulates on the inner walls of refrigerator.

– Hot and humid weather increases icing and condensation.

This is normal and not a fault.

– The doors may have been opened frequently or left ajar for a long time.

Do not open the door frequently. Close the doors, if open.

– The door may have been left ajar.

Close the door completely.

Humidity occurs on the outer surface of the refrigerator or between the doors.

– Air might be humid. This is quite normal in humid weathers.

Condensation will disappear when the humidity level decreases.

– There might be external condensation at the section between two doors of the refrigerator if you use your product rarely.

This is normal. Condensation will disappear upon frequent use.

There is a bad odour inside the refrigerator.

– No regular cleaning may have been performed.

Clean the inside of the refrigerator sponge, lukewarm water or carbonated water.

– Some vessels or packaging materials may cause the odour.

Use another vessel, or packaging materials from another brand.

– Foods may have been placed into the refrigerator in vessels without covers.

Store the foods in closed vessels. Microorganisms emitted from vessels without a cover may cause unpleasant odors.

- Take out expired or spoiled foods from the refrigerator.

The door cannot be closed.

- Food packages may be preventing the door from closing.

Re-locate the packages obstructing the door.

- The refrigerator may be unstable on the floor.

Adjust the refrigerator feet as required to balance the refrigerator.

- The floor may not be level or solid.

Make sure that the floor is level and capable of carrying the refrigerator.

Crispers are stuck.

- Foods may be touching the upper wall of the crisper.

Re-organise the foods in the crisper.

A

Warning:

If you can not eliminate the problem although you follow the instructions in this section, consult your dealer or the Authorized Service Provider. Never attempt to repair a malfunctioned product.

Введение.....	107
Информация по технике безопасности	108
Обзор холодильников	111
Технические характеристики	113
Установка и подключение	115
Управление	150
Эксплуатация	151
Очистка и обслуживание	154
Устранение неполадок.....	155
Информация по гарантии.....	157
Обслуживание и запасные детали	158
Программа сервисного обслуживания ELEXIR	159
Правила утилизации	160

Уважаемый покупатель!

Благодарим Вас за приобретение продукции **MILLEN**. Мы уверены, что данный холодильник займет достойное место на Вашей кухне и станет не просто прибором для хранения продуктов, а центром внимания и будет радовать Вас многие годы.

Для правильного и безопасного использования устройства, пожалуйста, ознакомьтесь со всеми пунктами данного руководства по эксплуатации. Просим Вас сохранять его на весь срок службы холодильника. В начале приведен раздел с некоторыми важными условиями безопасной работы устройства. В руководстве даны полезные советы по уходу и чистке изделия, а также содержатся рекомендации по экономии электроэнергии.

Производитель оставляет за собой право вносить изменения в конструкцию, комплектацию и технологическое устройство изделия без предварительного уведомления с целью улучшения характеристик продукции. Наша бытовая техника постоянно совершенствуется, обновляется дизайн, поэтому рисунки и обозначения, приведенные далее, могут несколько отличаться от приобретенной Вами модели.

Если в процессе эксплуатации возникнут неполадки, на последних страницах Вы сможете найти советы, которые помогут самостоятельно устранить мелкие неисправности.

Гарантия — 3 года. Подробные условия гарантийного обслуживания Вы найдете в гарантийном талоне внутри упаковки.

Срок эксплуатации — 10 лет. Производитель гарантирует, что в течение этого срока запасные части для изделия будут доступны.

При возникновении любых вопросов, связанных с покупкой, эксплуатацией и обслуживанием техники **MILLEN**, Вы можете проконсультироваться с сервисной службой по телефону **8 800 77-55-44-7**.



Внимание

Перед использованием холодильника просим Вас внимательно ознакомиться с руководством по эксплуатации и сохранить его для дальнейшего использования. В случае утери данного руководства получить новое можно на официальном сайте: www.millen.eu.

Информация по технике безопасности

Этот раздел содержит сведения, важные для правильного и безопасного использования холодильника. Внимательно изучите все указания и следуйте им во время транспортировки, установки и эксплуатации устройства. Несоблюдение приведенных в руководстве инструкций аннулирует гарантию.

Общая информация:

- Ваш холодильник предназначен для хранения пищевых продуктов в домашних условиях и не подходит для эксплуатации в коммерческих целях.
- Перед установкой убедитесь, что холодильник и его комплектующие не повреждены. В противном случае не устанавливайте, не подключайте и не используйте его, а свяжитесь с местом приобретения устройства.
- Если Вы обнаружили неисправность во время эксплуатации, перекройте подачу электричества к прибору и обратитесь в сервисную службу.
- Обслуживание и ремонт должны проводить только квалифицированные специалисты.
- Отключайте холодильник, в том числе от электроснабжения, если долго не планируете им пользоваться.
- Не используйте нагревательные приборы для ускорения размораживания, если оно потребуется.
- Не опирайтесь и не вставайте ни на какие части устройства. Оно может упасть, что может привести к травмам или повреждениям.
- Не закрывайте вентиляционные отверстия.
- Напитки, особенно с высоким содержанием алкоголя, нужно располагать вертикально в бутылках с плотно закрытыми крышками.
- Не кладите в холодильник медицинские препараты и другие вещества, которым требуются особые условия хранения.
- Если Вы отключили устройство от электросети, подождите **5 минут**, прежде чем снова подключать его.
- Не перегружайте холодильник и размещайте продукты так, чтобы они не выпали, когда Вы открываете дверцу.
- Не тяните устройство за дверцу или ящик при перемещении: они могут сломаться.
- Регулярно проводите чистку холодильника.

Меры безопасности, которые помогут избежать поражения током:

- Отключайте холодильник от электросети на время чистки, технического обслуживания и ремонта.
- Не касайтесь вилки и кабеля питания влажными или мокрыми руками.
- Чтобы вынуть кабель из розетки, всегда беритесь за вилку, а не за шнур.
- Не подключайте холодильник к неисправной, плохо закрепленной или незаземленной розетке.

- Не мойте устройство под струей воды и не допускайте, чтобы на него проливались любые другие жидкости.
- Не используйте для ухода за холодильником пароочистители.

Меры пожарной безопасности:

- Механические повреждения системы охлаждения могут привести к утечке хладагента. Если есть риск утечки, не используйте холодильник и не зажигайте огонь в помещении, чтобы избежать возгорания.
- Не используйте для очистки устройства аэрозоли.
- Не кладите в холодильник легковоспламеняющиеся и взрывоопасные вещества.

Меры безопасности при использовании морозильной камеры:

- Не следует употреблять в пищу замороженные продукты, например мороженое или ягоды, сразу после того, как Вы достали их из морозильной камеры. Это может привести к холодовому ожогу.
- Не касайтесь замороженных продуктов влажными руками: они могут примерзнуть к коже.
- Не кладите в морозильную камеру напитки в герметичных банках: они могут лопнуть.

Безопасность детей и лиц с ограниченными возможностями



Внимание

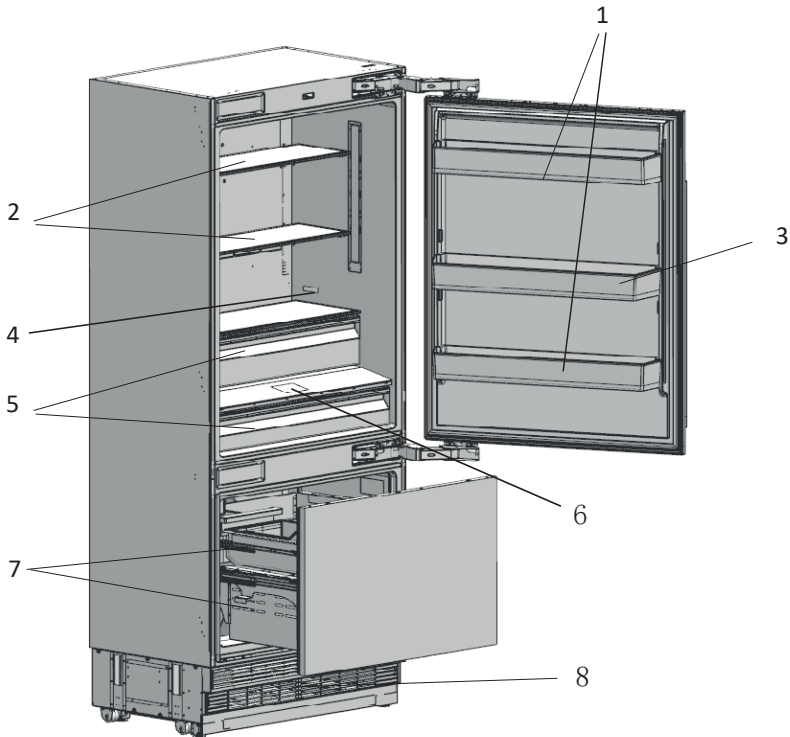
Не позволяйте детям играть с прибором или упаковочным материалом!

- Холодильник не предназначен для использования детьми **младше 8 лет**.
- Дети **старше 8 лет**, а также лица с ограниченными физическими, умственными или сенсорными способностями или без достаточных знаний и опыта могут самостоятельно пользоваться холодильником только при следующих условиях:
 1. Они проинструктированы о том, как правильно обращаться с устройством.
 2. Они будут находиться под постоянным присмотром ответственных за их безопасность.
 3. Приняты все меры, чтобы избежать опасной ситуации.
- Не позволяйте детям играть с холодильником.
- Дети могут проводить очистку устройства и осуществлять уход за ним только под постоянным присмотром взрослых.
- Перед утилизацией холодильника снимите дверцу и ящик, чтобы дети не могли закрыться внутри.

Обзор холодильников

Изображения приведены для справки, разные модели могут отличаться.

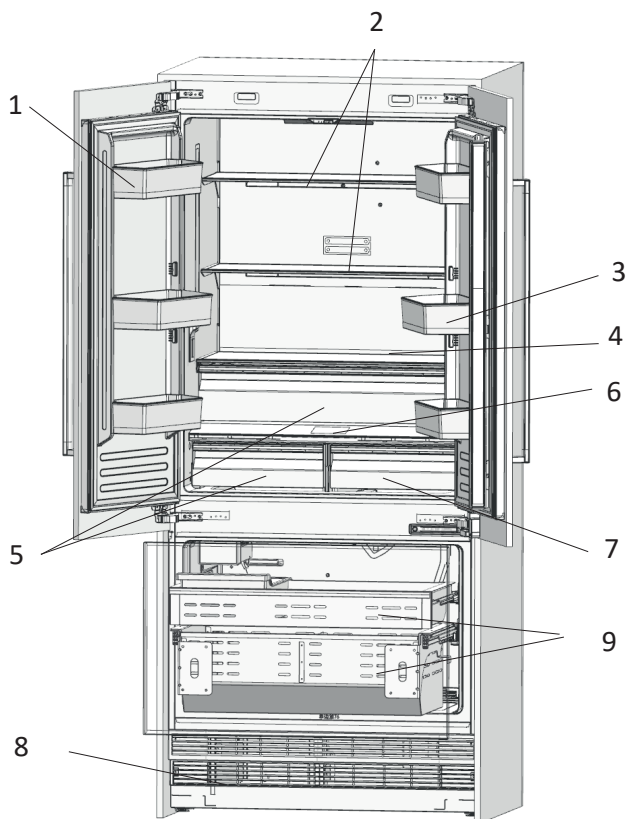
Модели MBI453MaxPro, MBI558MaxPro



1. Дверные полки
2. Полки холодильной камеры
3. Регулируемая дверная полка
4. Фильтр для очистки воздуха

5. Ящики холодильной камеры
6. Панель управления
7. Ящики морозильной камеры
8. Конденсатор

Модель MBI552FDMaxPro



- 1. Дверные полки
- 2. Полки холодильной камеры
- 3. Регулируемая дверная полка
- 4. Фильтр для очистки воздуха
- 5. Ящики холодильной камеры

- 6. Панель управления
- 7. Ящик с настройкой температуры
- 8. Конденсатор
- 9. Ящики морозильной камеры

Технические характеристики

Модель	МБИ453MaxPro	МБИ558MaxPro	МБИ552FDMaxPro
Тип установки	Встраивание		
Цвет	Белый		
Материал дверцы	ПКМ		
Наличие, тип дисплея	Да, сенсорный		
Тип управления	Электронное		
Перенавешиваемые дверцы	Да	Да	Нет
Тип направляющих для встраиваемых моделей	Металлические		
Полезный объем, л	449	556	546
Количество камер	2		
Объем холодильной камеры, л	323	399	389
Диапазон температур в холодильной камере, °C	0... +8		
Тип разморозки холодильной камеры	No Frost		
Количество полок холодильной камеры	2		
Количество ящиков холодильной камеры	2	2	3
Объем зоны свежести, л	56	69	31
Объем морозильной камеры, л	126	157	157
Диапазон температур в морозильной камере, °C	-8... -24		
Тип разморозки морозильной камеры	No Frost		
Количество ящиков морозильной камеры	2		
Мощность замораживания, кг/сутки	5,8	7,5	7,5
Звуковой сигнал при открытой дверце	Да		

Технические характеристики

Модель	MBI453MaxPro	MBI558MaxPro	MBI552FDMaxPro
Контуры охлаждения	2		
Тип освещения	LED		
Время поддержания температуры при отключении электроэнергии, ч	11	13	13
Климатический класс	ST (+16... +32 °C)		
Дополнительные функции	Суперзаморозка, суперохлаждение, сигнал о повышении температуры, «Отпуск», Sabbath, энергосбережение		
Уровень шума, дБ	43		
Тип хладагента	R600a		
Класс энергопотребления	A+		
Энергопотребление в год, кВт·ч	433	419	401
Длина кабеля, мм	250		
Размеры устройства, мм	2121 × 756 × 609	2123 × 908 × 592	2123 × 908 × 592
Размер упаковки, мм	2300 × 820 × 670	2300 × 970 × 670	2300 × 970 × 670
Вес нетто/брутто, кг	141/167	180/192	186/196

Установка и подключение

Установку и подключение должен проводить квалифицированный специалист. Для работы потребуются защитные очки и перчатки.



Предупреждение

Система охлаждения устройства содержит хладагент R600a, который может воспламениться при неправильном обращении с холодильником. Установите его в вертикальное положение и подождите не менее 4–6 часов перед подключением к электросети. Это особенно важно, если прибор транспортировали в горизонтальном положении.

Перед установкой внимательно ознакомьтесь с руководством по эксплуатации и убедитесь:

- Что ниша для встраивания имеет подходящие размеры.
- Будут соблюдены необходимые зазоры для вентиляции вокруг холодильника.
- Параметры электросети соответствуют указанным в этом руководстве.
- Во время установки и эксплуатации всегда можно будет быстро перекрыть подачу электричества к устройству в аварийной ситуации.
- Розетка, к которой подключается холодильник, надлежащим образом заземлена.

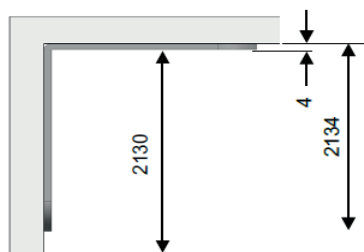
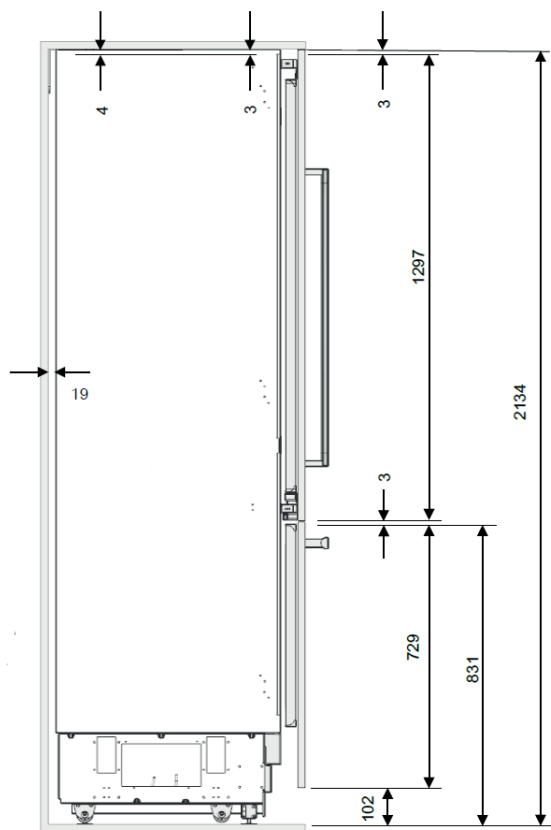
Размеры холодильников

Здесь и далее размеры указаны в миллиметрах. Размеры на схемах и рисунках являются конструктивными, они могут отличаться от фактических.

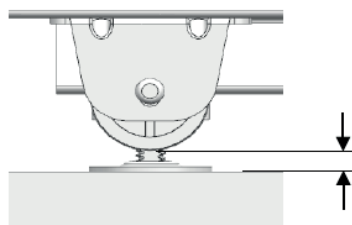
Для высоты указано стандартное значение. Ее можно менять, регулируя ножки.

Модель	МБИ453MaxPro	МБИ558MaxPro	МБИ552FDMaxPro
Высота	2121 мм	2123 мм	2123 мм
Ширина	756 мм	908 мм	908 мм
Глубина в закрытом состоянии	609 мм	592 мм	592 мм
Глубина с открытым ящиком	997 мм	980 мм	980 мм
Глубина с открытой дверцей	1398 мм	1550 мм	1067,6 мм

Схема холодильника в нише

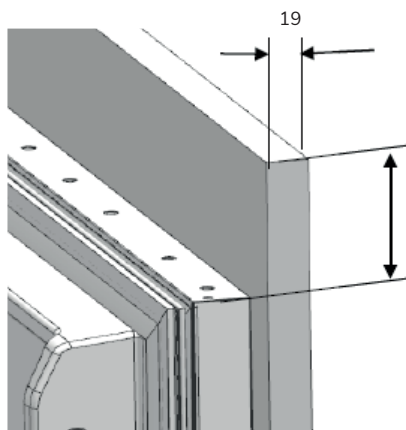


Расположение крепежной скобы

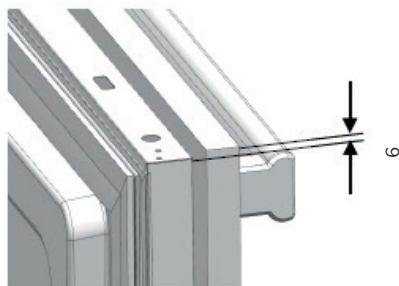


Минимальная высота
для выравнивания

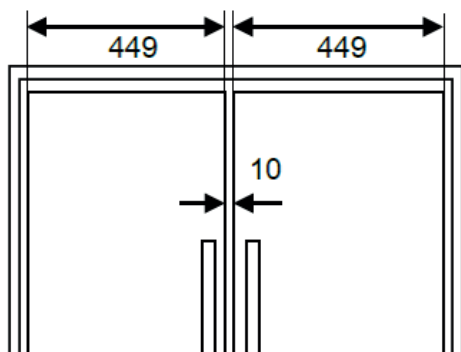
8 (спереди)
7 (сзади)



Сборка дверцы холодильной камеры с мебельной панелью



Сборка дверцы морозильной камеры с мебельной панелью



Требования к месту установки

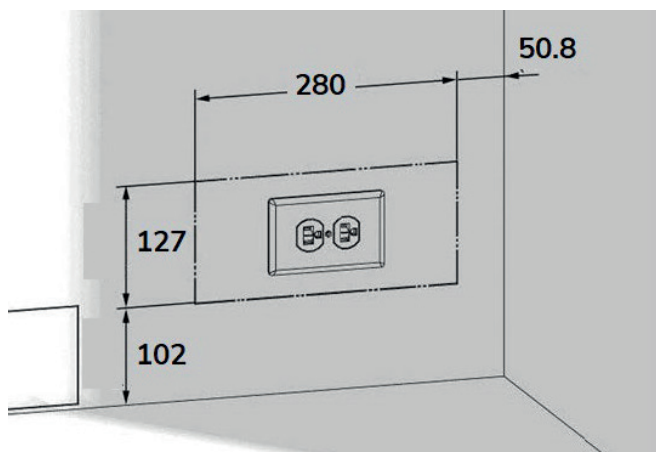
- Не устанавливайте холодильник на открытом воздухе.
- Пол под устройством должен выдерживать нагрузку не менее **544 кг** и быть ровным. При установке используйте уровень.
- Холодильник нельзя устанавливать на платформу и другие возвышения. Оно должно стоять на полу.

– Не устанавливайте несколько холодильников вплотную друг к другу, а также рядом с источниками тепла, например духовыми шкафами или обогревателями. Минимальное безопасное расстояние от электрических источников тепла составляет **3 см**, от газовых (топливных) — **30 см**.

- Температуру в помещении следует поддерживать в пределах **13–43 °С**.
- Помещение всегда должно быть сухим и чистым.
- Кабель питания не должен касаться задней стенки холодильника.
- Если розетка находится за устройством, оставьте между ними достаточно места, чтобы не пережать кабель питания.
- После установки дверца должна открываться как минимум на **90°**.

Требования к электросети

- Напряжение сети — **220–240 В**, частота — **50–60 Гц**.
- Подключайте холодильник к заземленной розетке.
- Не используйте адаптеры и удлинители.
- Правильное положение розетки указано на схеме ниже.



Требования к мебели

- Шкаф, в который будет установлен холодильник, должен устойчиво стоять на полу.
- Стенки ниши должны быть ровными и иметь толщину не менее **16 мм**. Используйте уровень для выравнивания.
- Минимальная толщина декоративной панели, которая будет установлена на дверцы холодильника, — **19 мм**.
- Вокруг холодильника необходимо оставить зазоры для вентиляции.
- Размеры ниш для встраивания указаны в таблице ниже. Высота зависит от регулировки ножек, стандартная — **2134 мм**.

Модель	МБИ453MaxPro	МБИ558MaxPro	МБИ552FDMaxPro
Высота	2129–1269 мм	2129–1269 мм	2129–1269 мм
Ширина	762 мм	914 мм	914 мм
Глубина	635 мм	635 мм	635 мм

- Если розетка находится сбоку от места установки холодильника, сделайте в стенке ниши отверстие высотой **203,2 мм** и шириной **50,8 мм** для кабеля.

Список инструментов для установки и подключения

- Аккумуляторная дрель-шуруповерт
- Крестовая бита
- Сверло диаметром 8 мм
- Бита T27
- Бита T25
- Бита на ¼ дюйма
- Гаечный ключ на ½ дюйма
- Сверло диаметром 2,4 мм
- Молоток
- Уровень
- Рулетка
- Канцелярский нож
- Защитные перчатки
- Защитные очки
- Стремянка
- Тележка

Распаковка

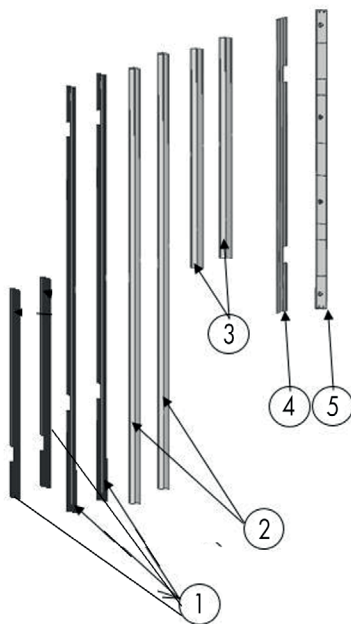
1. Разрежьте коробку по пунктирной линии канцелярским ножом.
2. Снимите коробку и упаковочные уплотнители.



Предупреждение

Для Вашей безопасности не удаляйте защитную ленту с верхней дверцы, пока не установите холодильник в нишу для встраивания.

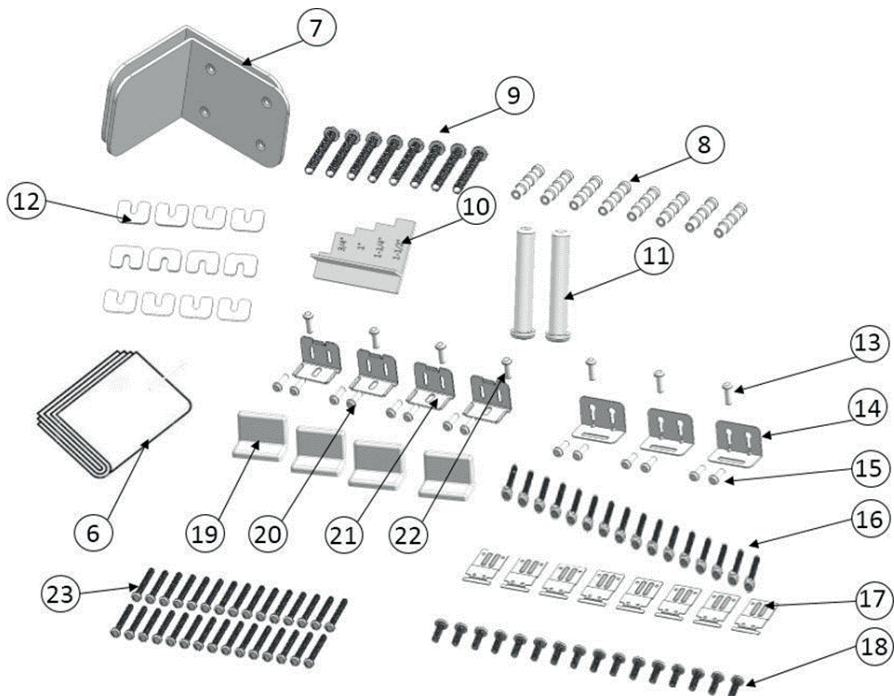
3. Снимите закрепленные на задней стенке уплотнительные накладки и проверьте их комплектность:



№	Тип	Характеристики	Количество		
			MBI453 MaxPro	MBI558 MaxPro	MBI552FD MaxPro
1	Боковая накладка для холодильной камеры	ПВХ, длина 617 мм ПВХ, длина 259 мм	2	2	2
			2	2	2
2	Боковая накладка для дверцы холодильной камеры	ПВХ, длина 1136 мм	2	2	4

№	Тип	Характеристики	Количество		
			MBI453 MaxPro	MBI558 MaxPro	MBI552FD MaxPro
3	Боковая накладка для ящика морозильной камеры	ПВХ, длина 556 мм	2	2	2
4	Накладка для верхней части холодильника	ПВХ, длина 762 мм ПВХ, длина 914 мм	1	1	1
5	Накладка для верхней части ящика морозильной камеры	АБС-пластик	1	1	1

4. Выньте из морозильной камеры крепежные элементы и проверьте их комплектность:



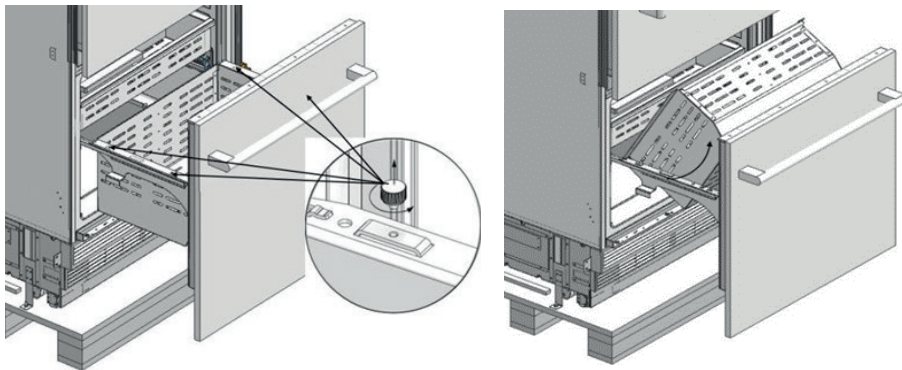
Установка и подключение

№	Тип	Характеристики	Количество		
			МБИ453 MaxPro	МБИ558 MaxPro	МБИ552FD MaxPro
6	Шаблон для установки мебельной панели	—	1	1	1
7	Крепежные скобы	T4.0, цинковое покрытие	2	2	2
8	Дюбели	—	8	8	8
9	Винты крепежной скобы	M8 × 60 мм	8	8	8
10	Регулировочные детали	Полистирол	1	1	1
11	Фиксаторы дверцы	Нерж. сталь	2	2	—
12	Уплотнительные пластины для ящика морозильной камеры	АБС-пластик	9	9	9
13	Винты для верхней части ящика морозильной камеры	M4,8 × 16 мм	3	3	3
14	Скобы для верхней части ящика морозильной камеры	T1.0, нерж. сталь	3	—	—
15	Винты для верхней части ящика морозильной камеры	M4 × 12 мм	6	18	18
16	Винты скоб для ниши	M4 × 12 мм	16	16	16
17	Крепежные скобы для ниши	T1.0, цинковое покрытие	8	8	8
18	Винты скоб для ниши	M4 × 14 мм	16	16	16
19	Накладки на скобы для ниши	АБС-пластик	4	4	2
20	Винты для мебельной панели	M4 × 12 мм	8	8	4

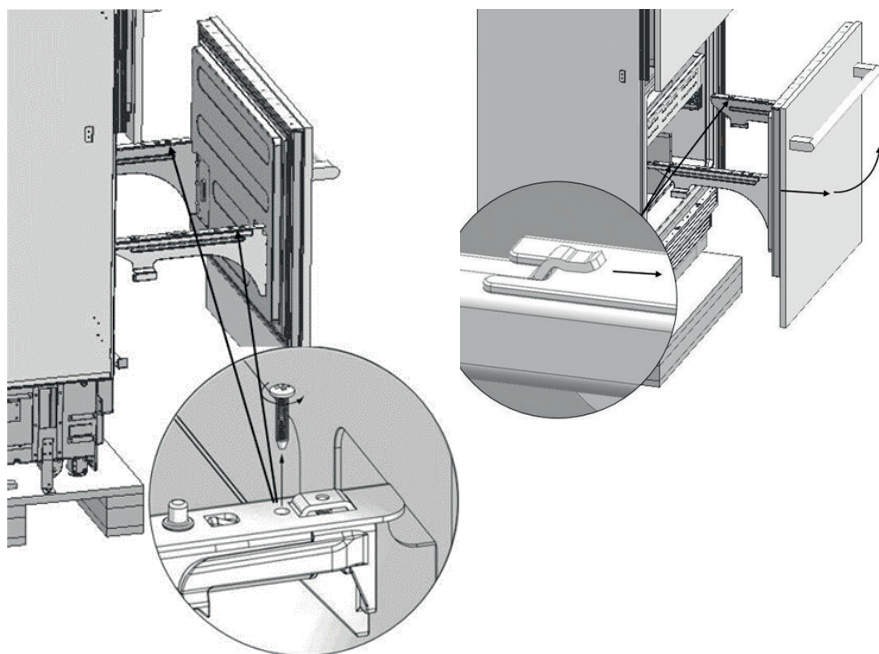
№	Тип	Характеристики	Количество		
			MBI453 MaxPro	MBI558 MaxPro	MBI552FD MaxPro
21	Скобы для мебельной панели	T1.0, нерж. сталь	4	4	2
22	Винты скоб для мебельной панели	M4 × 14 мм	8	8	4
23	Винты для мебельной панели	M4 × 14 мм	30	30	34
24	Скобы для верхней части ящика морозильной камеры	T1.0, нерж. сталь	—	3	3

Извлечение ящика морозильной камеры

1. Вручную выкрутите **4 винта** из отверстий, обозначенных на рисунке.
2. Выньте внутренний металлический ящик.

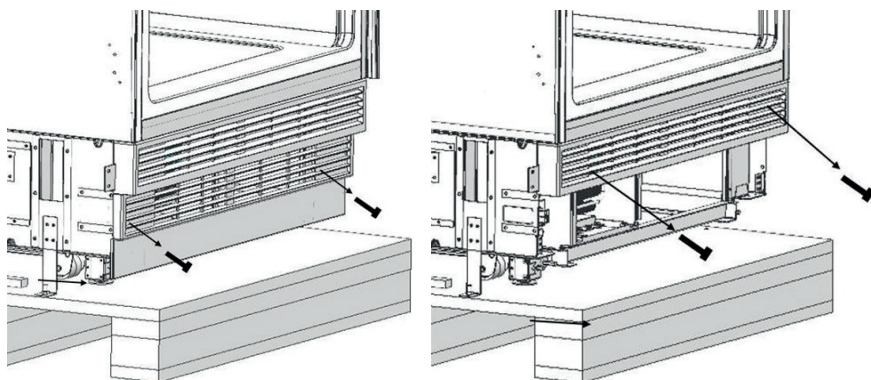


3. С помощью шуруповерта выкрутите **2 винта** (см. рисунок ниже), которые соединяют направляющие с передней панелью.
4. Потяните ящик на себя, чтобы вытащить его из фиксаторов.



Подготовка основания холодильника

1. С помощью шуруповерта выкрутите по **2 винта** сначала из нижней, затем из верхней вентиляционной решетки, чтобы снять их.



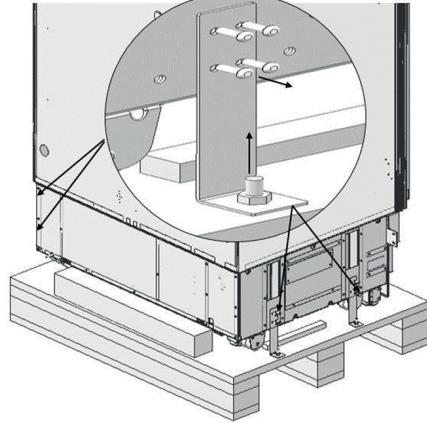


Предупреждение

Холодильник очень тяжелый — его нельзя перемещать в одиночку!

2. С помощью шуруповерта и крестовой биты снимите скобу в основании холодильника, фиксирующую его на паллете.

3. Аккуратно наклоните устройство, с помощью тележки переместите его с паллеты на пол.



Подготовка места установки

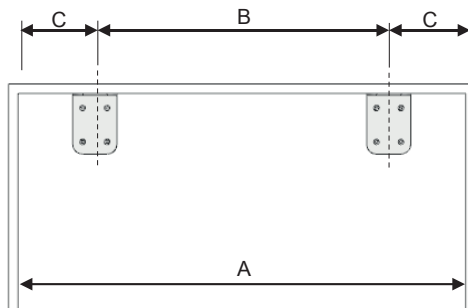
Строго соблюдайте приведенные в руководстве указания. Также рекомендуется изучить нормы местных и национальных технических служб.

Установка фиксирующих скоб на стену

1. Убедитесь, что в месте установки скоб не проходят электрические коммуникации.

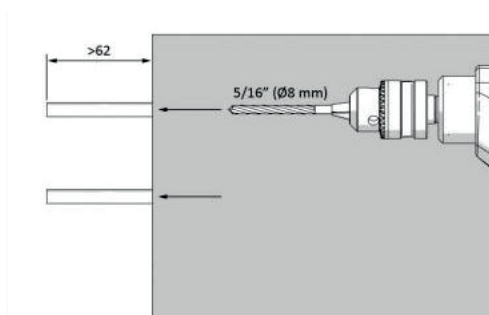
2. Наденьте защитные очки и перчатки.

3. С помощью рулетки сделайте отметки для скоб на стене (см. схему и таблицу ниже).

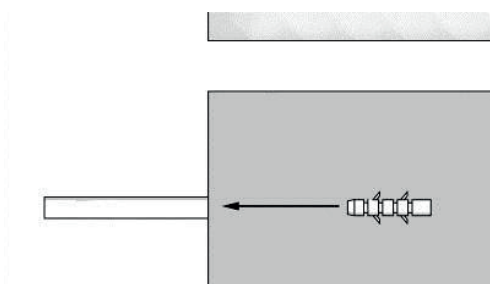


Расстояние, мм	MBI453MaxPro	MBI558MaxPro	MBI552FDMaxPro
A	762	914	914
B	600	600	600
C	81	157	157

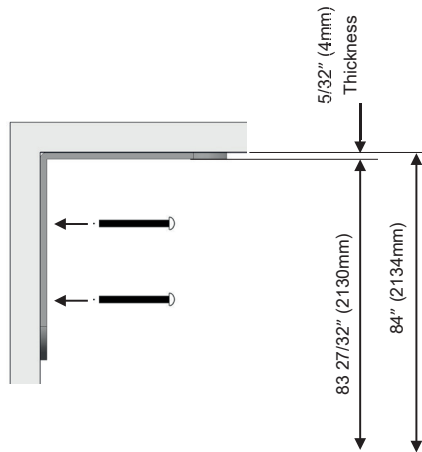
4. Используя дрель и сверло диаметром **8 мм**, сделайте отверстия для дюбелей согласно отметкам из **шага 3**.



5. С помощью молотка установите дюбели в стену.



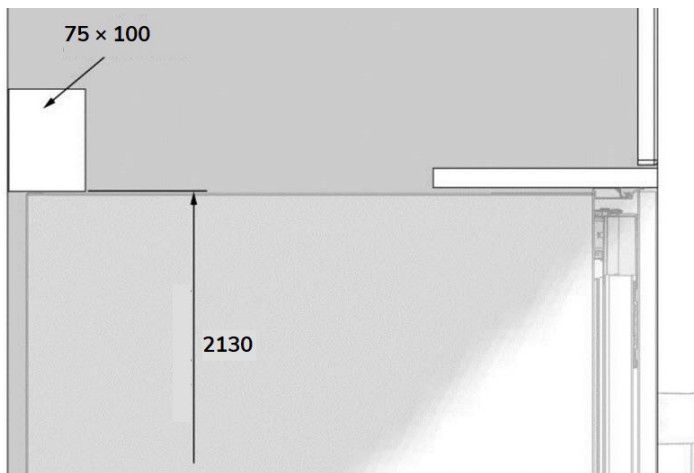
6. Закрепите каждую скобу на стене **4 винтами**.



Фиксация с помощью брусков

– Бруски должны вплотную прилегать к холодильнику, но ширина контактной поверхности не должны превышать **50,8 мм**.

– Минимальные размеры бруска: **75 × 100 мм**. Высота бруска зависит от расстояния между верхней частью холодильника и верхней частью ниши.



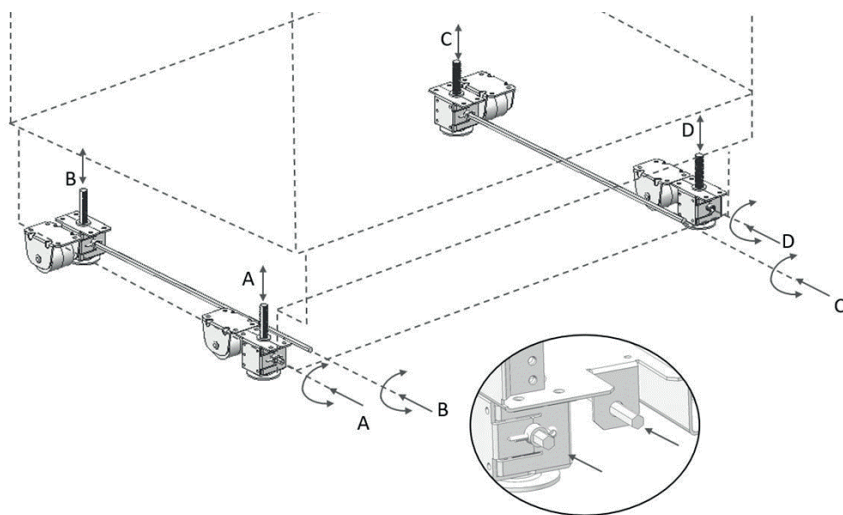
1. Выберите подходящие винты для крепления брусков.
2. Сделайте отметки для брусков на стене.
3. Закрепите бруски винтами.

Регулировка ножек

Высоту ножек можно настроить в диапазоне **97–137 мм**.

Отрегулируйте их с помощью шуруповерта и биты на **¼ дюйма**:

1. Приподнимите переднюю часть прибора, чтобы он не упал во время регулировки.
2. Чтобы увеличить высоту, поверните фиксаторы по часовой стрелке, чтобы уменьшить — против часовой стрелки.



3. После регулировки убедитесь, что холодильник устойчив.

Встраивание

1. Чтобы не повредить кабель питания при установке, его можно подвесить на леску или веревку.
2. Подключите холодильник к розетке, чтобы включить подсветку и таким образом проверить питание, затем выключите прибор.

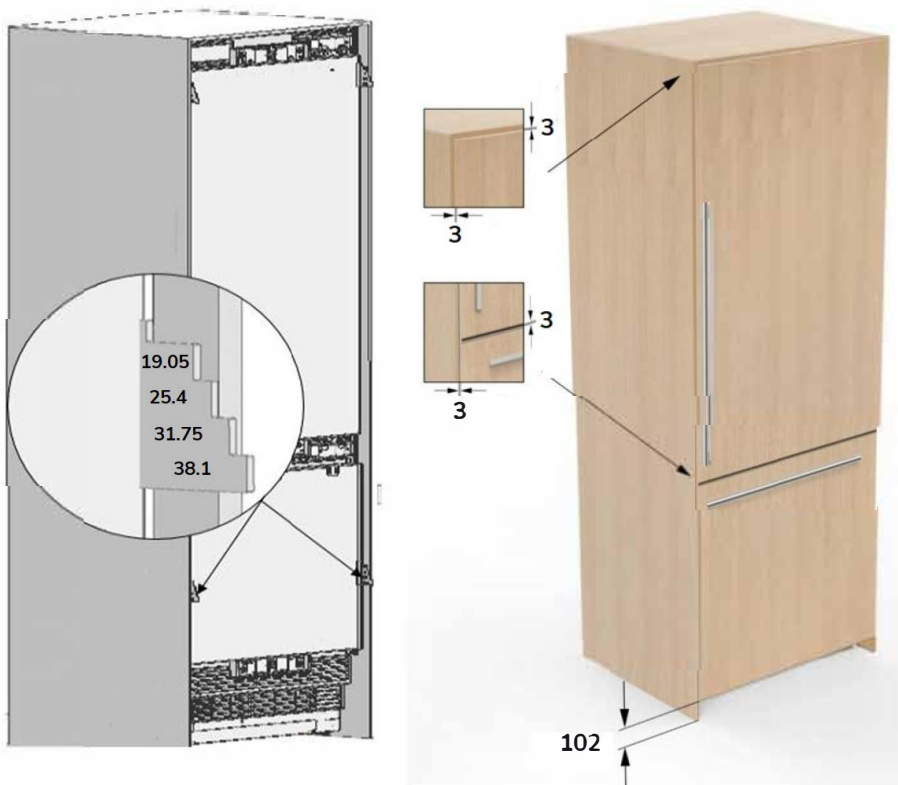
3. Установите крепежные скобы (**2 наверху** и по **3 на левой и правой стенках**) и закрепите их винтами **M4 x 14 мм**.

4. Осторожно задвиньте устройство в нишу. Если чувствуете сопротивление, проверьте, не ослаблены ли крепления у ножек, и при необходимости затяните их.

5. На время установите на место переднюю панель морозильной камеры и выровняйте положение холодильника в нише:

– Для моделей, которые не требуют декоративных панелей, переднюю часть нужно выровнять по краям ниши.

– Если на холодильник будут установлены декоративные панели, используйте регулировочные детали из комплекта поставки: они помогут выровнять холодильник согласно толщине панелей.



6. Соедините холодильник с нишей винтами **M4 × 12 мм**. Если винты туго входят в отверстия в рабочей камере, можно аккуратно расширить их с помощью дрели.

7. Установите на место вентиляционные решетки в основании холодильника.

Если нужно установить декоративный плинтус, можно немного сместить нижнюю решетку вперед или назад.

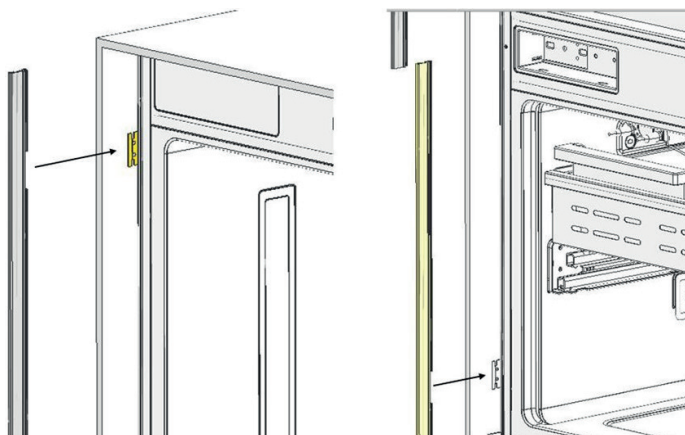


Предупреждение

Допустимо смещение не более чем на 23 мм от стандартного положения. Плинтус не должен заходить на решетку.

Установка уплотнителей и мебельных панелей

1. Установите уплотнители по бокам иверху холодильника. Выемки уплотнителей должны совпасть с положением скоб.

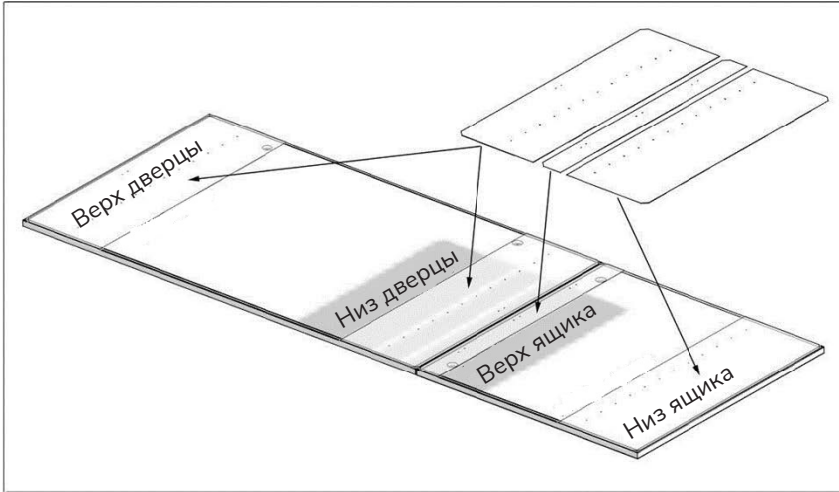


2. Используя шаблон из комплекта поставки, сделайте отметки на мебельных панелях, которые будут установлены на переднюю часть холодильника.



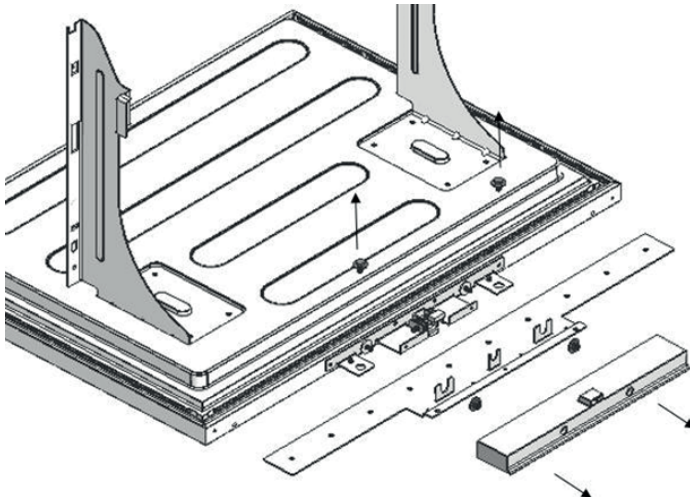
Внимание

Максимальный вес панели для холодильной камеры — 16,2 кг, для морозильной — 9 кг.



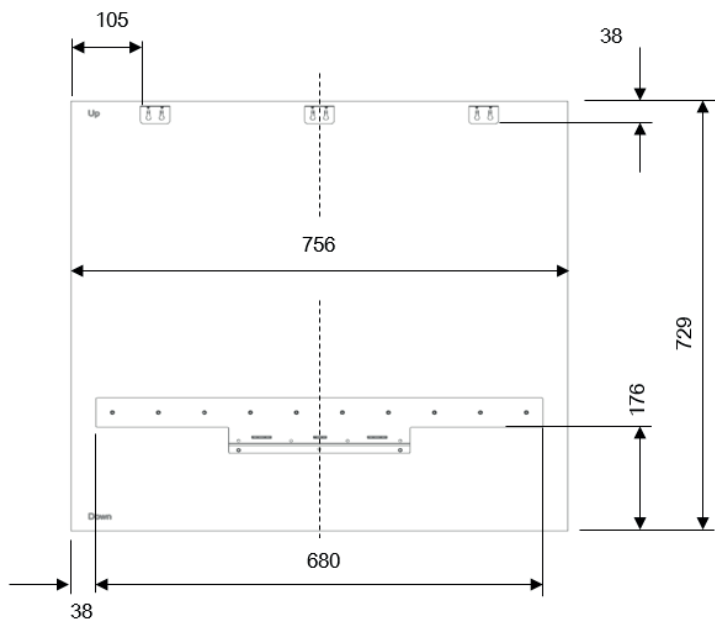
Морозильная камера

1. С помощью шуруповерта ослабьте и снимите крышки и крепления с верхней части передней панели ящика морозильной камеры.

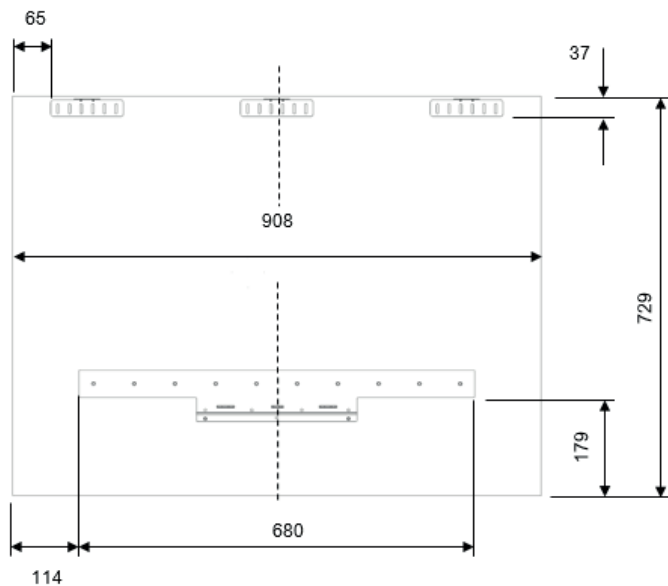


Размеры мебельной панели для морозильной камеры

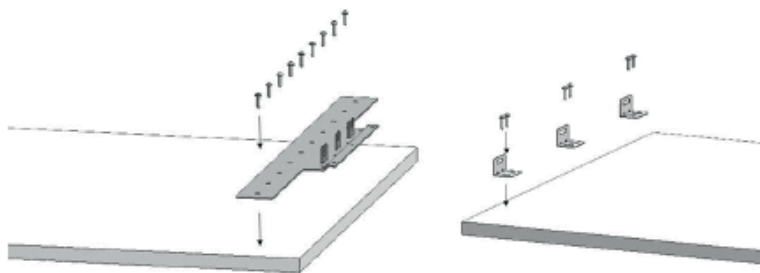
MBI453MaxPro



MBI558MaxPro, MBI552FDMaxPro



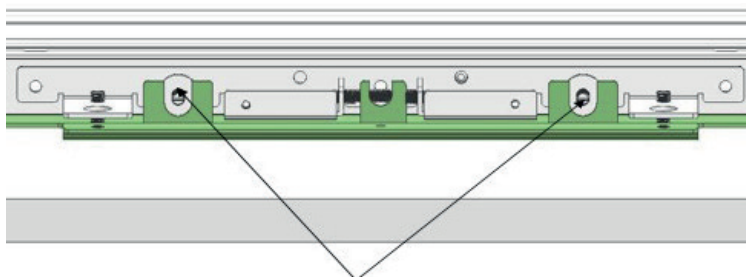
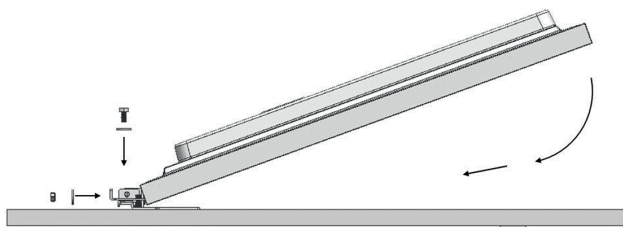
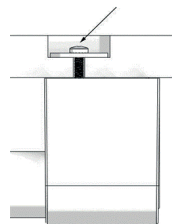
2. Установите крепление в нижней части мебельной панели и зафиксируйте его винтами. Можно использовать шаблон.



3. Установите **3 крепежных скобы** в верхней части мебельной панели и зафиксируйте каждую **скобу 2 винтами**.

4. Установите и закрепите с помощью винта ручку ящика морозильной камеры. Крышка винта не должна выходить за границу выемки (см. рисунок).

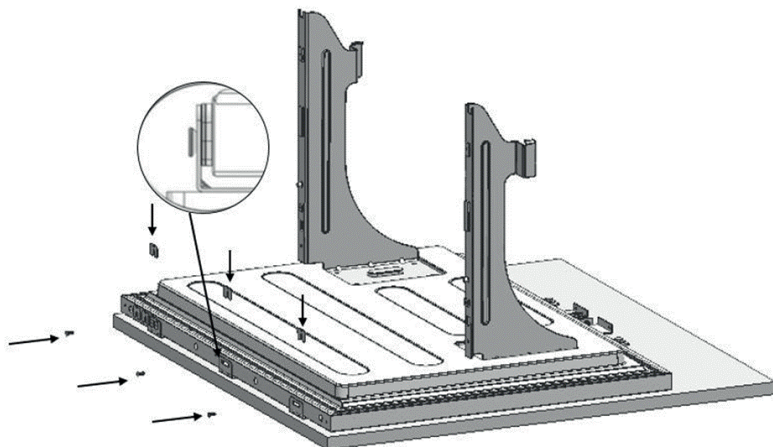
5. Совместите переднюю панель морозильной камеры с мебельной панелью, расположив их на ровной и устойчивой поверхности. Вставьте винты в крепление.



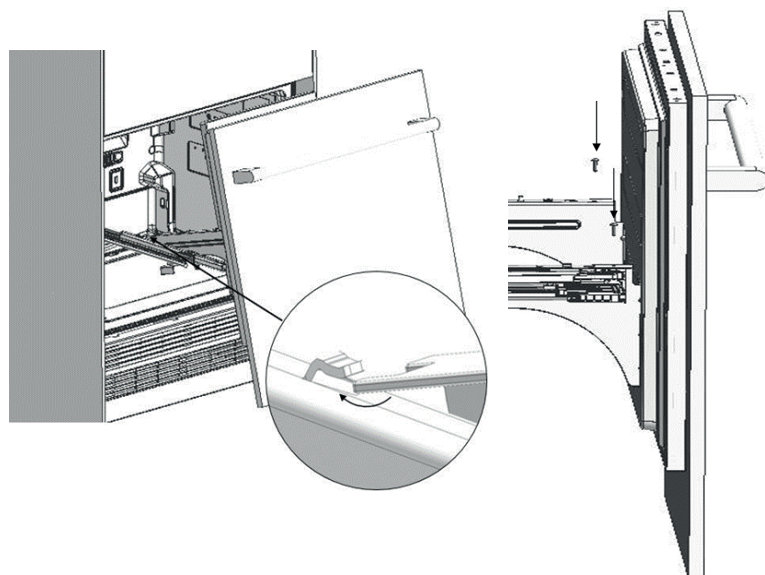
Отверстия для винтов

6. Используйте уплотнительные пластины из комплекта поставки, чтобы зафиксировать крепление.

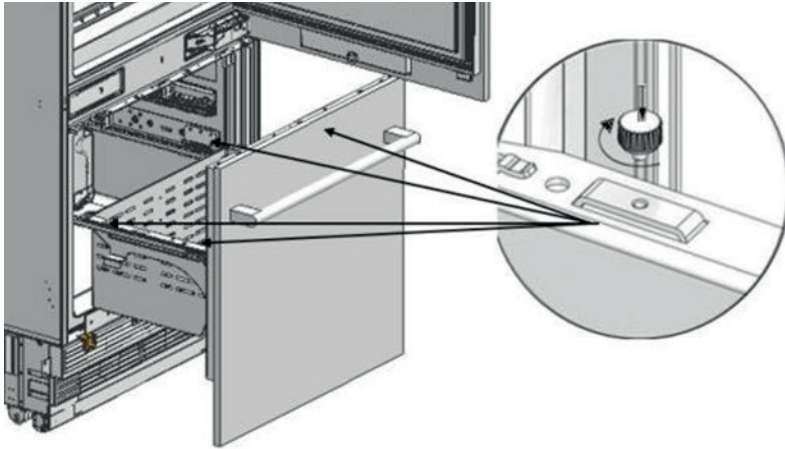
7. Затяните крепление винтами **M4,8 × 16 мм**, используя шуруповерт.



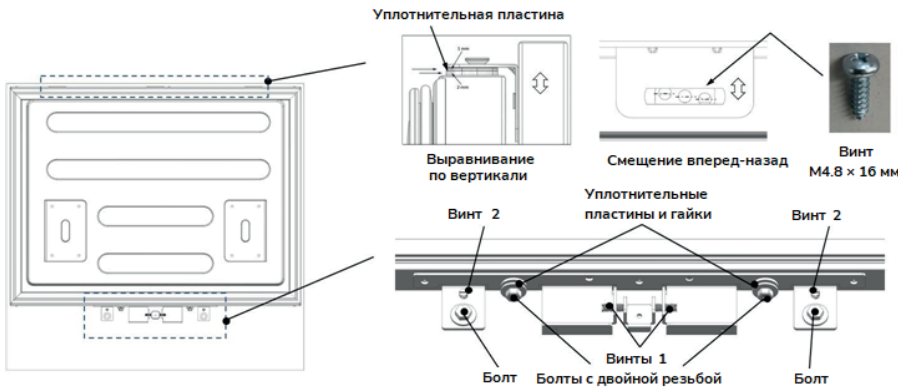
8. Установите сборку передней панели в направляющие морозильной камеры и закрепите винтами.



9. Вставьте металлический ящик на место и зафиксируйте его на направляющих **4 винтами**.



Выравнивание панели морозильной камеры



1. Используйте уплотнительную пластину, чтобы выровнять верхнюю часть панели.

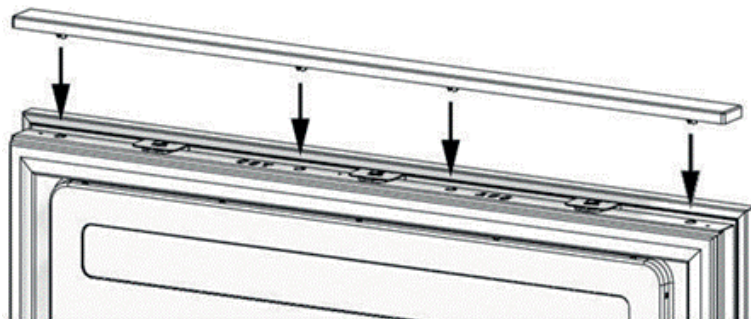
2. Используйте **винты 1** (см. рисунок выше), чтобы выровнять панель по горизонтали.

3. Если нужно сместить панель вперед или назад, переставьте винт **М4,8 x 16 мм** в одно из свободных отверстий в верхней части панели.

4. Также для смещения используются **винты 2** и болты в нижней части.

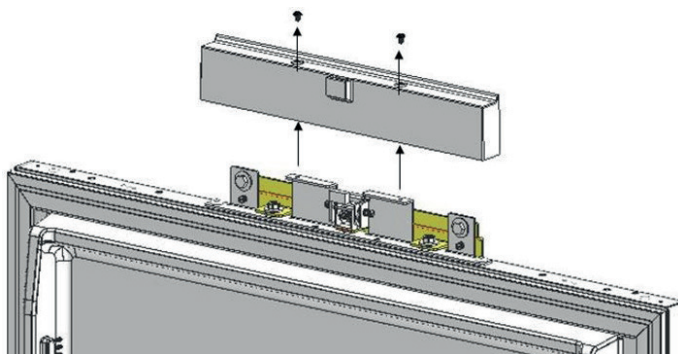
5. Чтобы зафиксировать панель в нужном положении внизу, используйте болты с двойной резьбой, уплотнительные пластины и гайки.

6. После выравнивания установите накладку на верхнюю часть ящика.



Холодильная камера

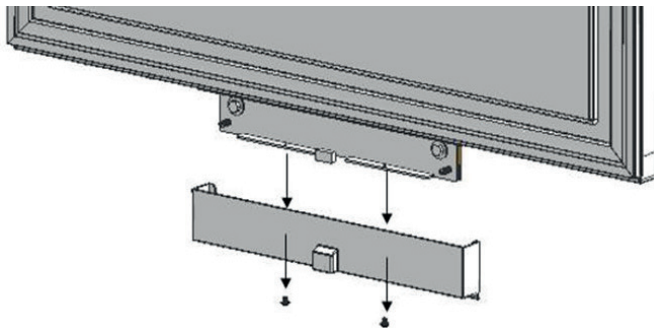
1. Выкрутите винт из крышки крепления в верхней части дверцы, используя шурупверт, и снимите крышки.



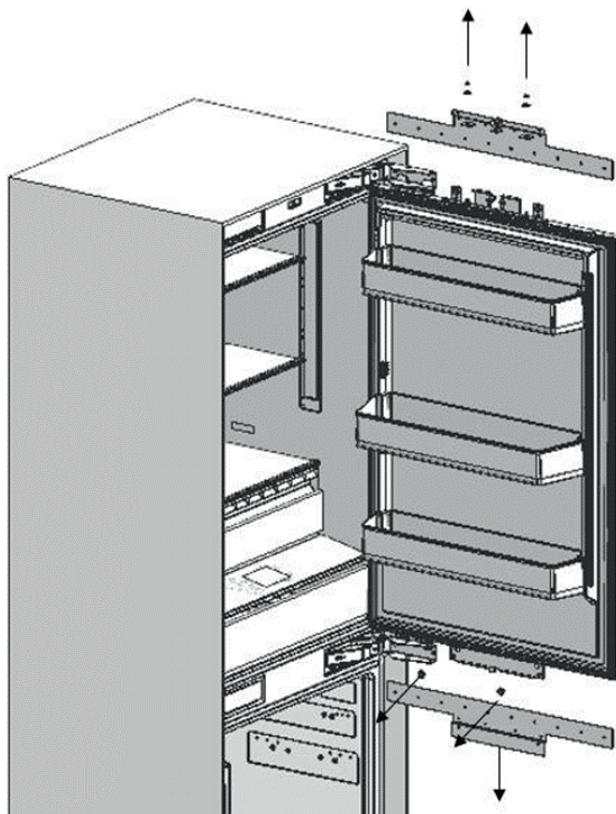
Внимание

Под крышкой есть магнит, который нужен для нормальной работы механизма дверцы. Не снимайте его!

2. Выкрутите **2 винта** из крепления в нижней части дверцы, используя шуруповерт, и снимите крышку.

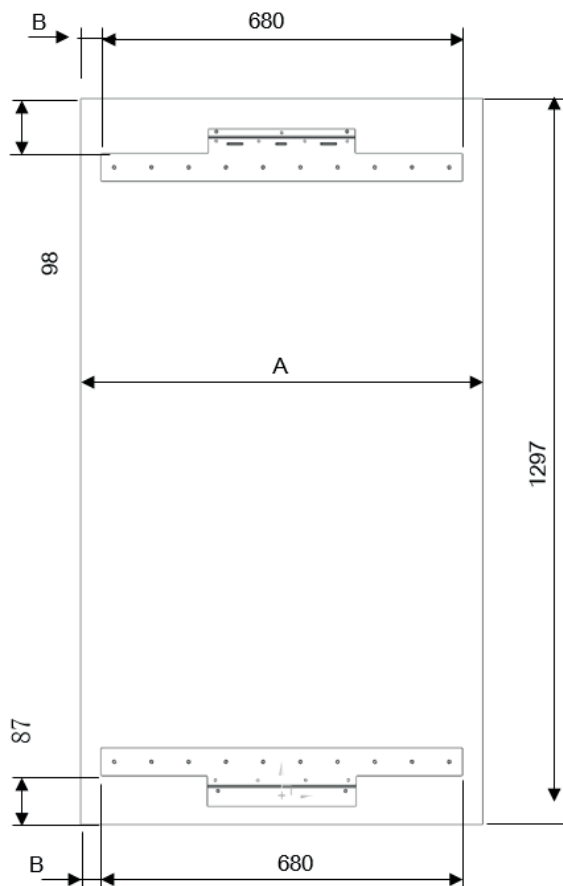


3. С помощью шуруповерта ослабьте и снимите крепления с дверцы.

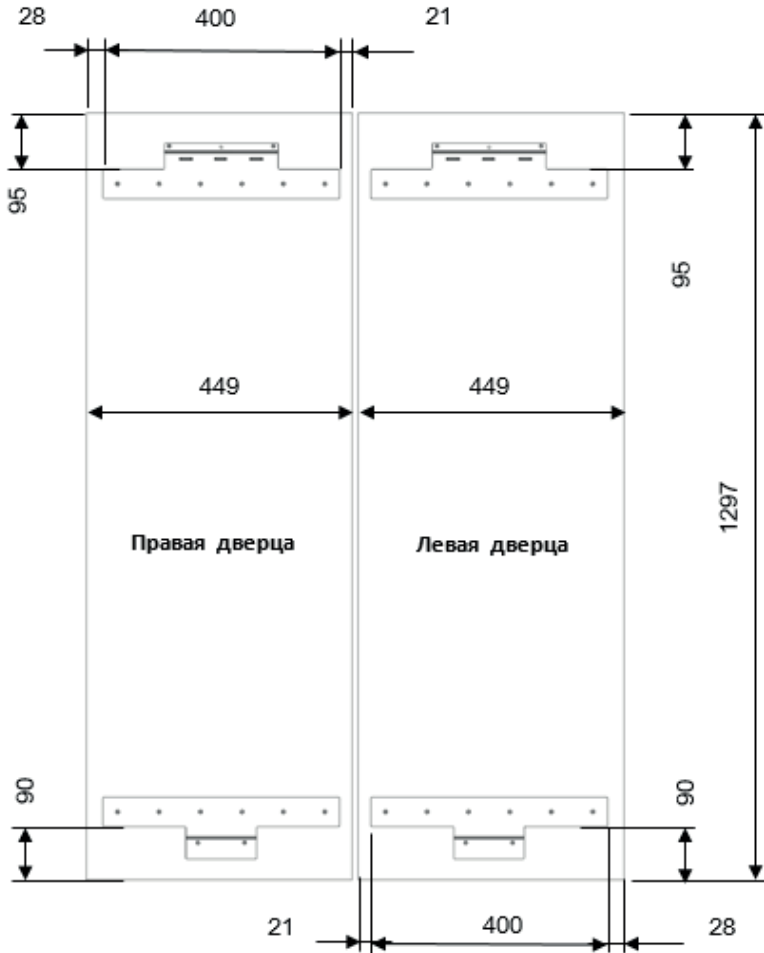


Размеры панелей для холодильной камеры

Размер, мм	MBI453MaxPro	MBI558MaxPro
A	756	908
B	38	114

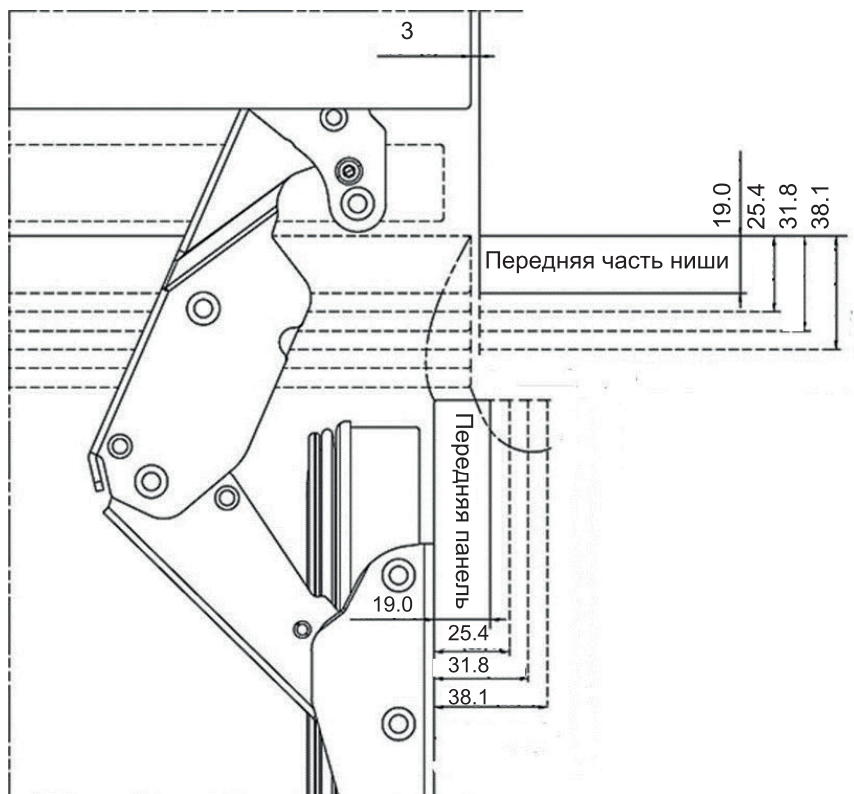


MBI552FDMaxPro

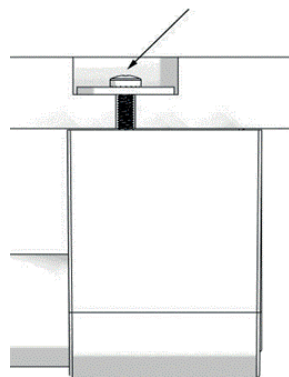


Предупреждение

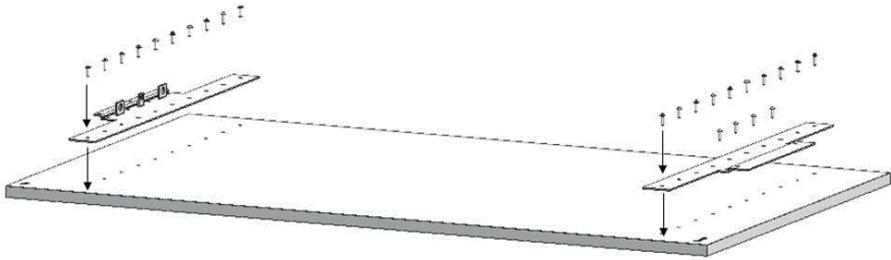
Максимальный угол открывания дверцы — 115°. Если толщина мебельной панели больше 38 мм, на петлю дверцы необходимо установить ограничитель, чтобы она открывалась не более чем на 90°.



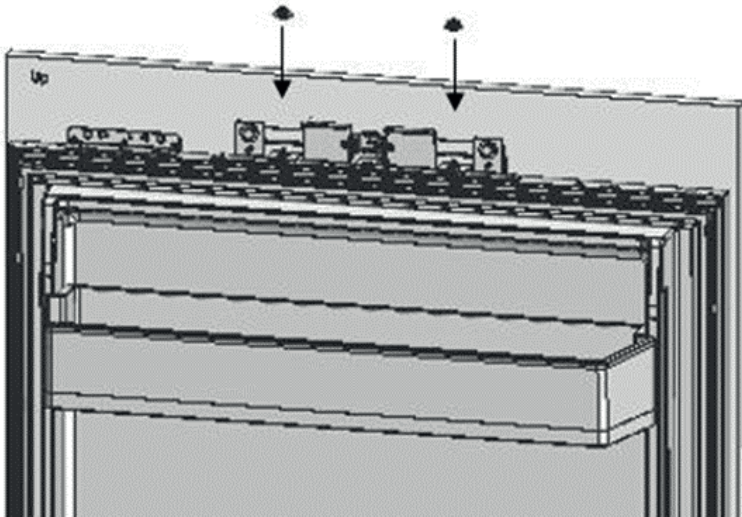
4. Установите и закрепите с помощью винта ручку дверцы. Крышка винта не должна выходить за границу выемки (см. рисунок).



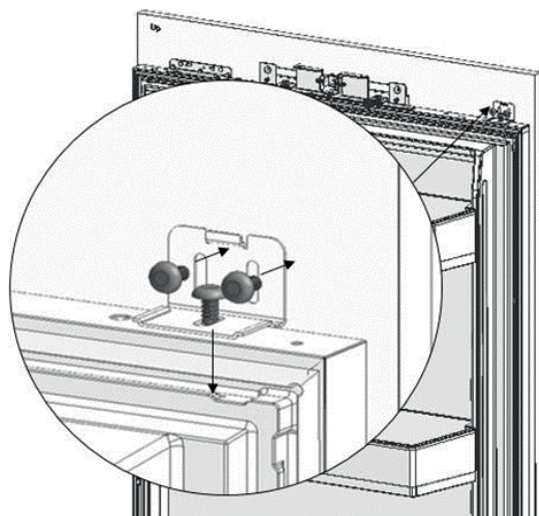
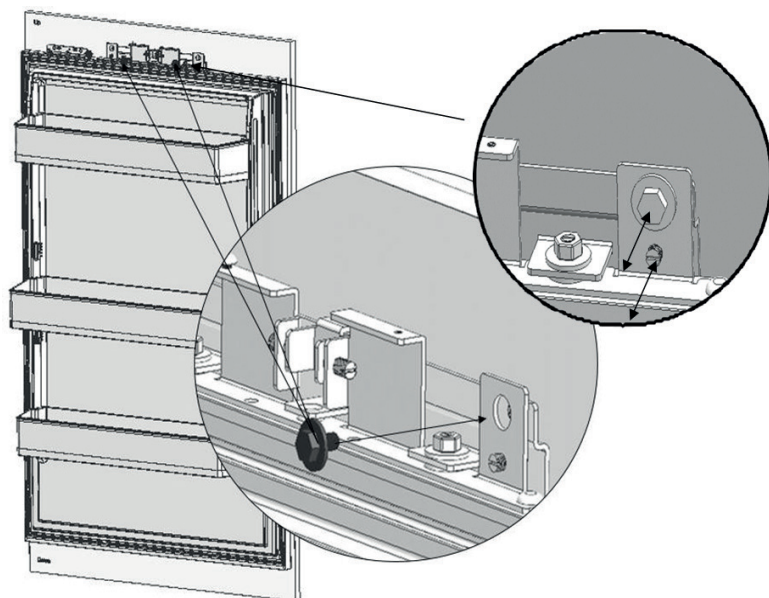
5. Установите крепления вверху и внизу мебельных панелей и зафиксируйте их винтами **M4 x 14 мм**. Можно использовать шаблон.



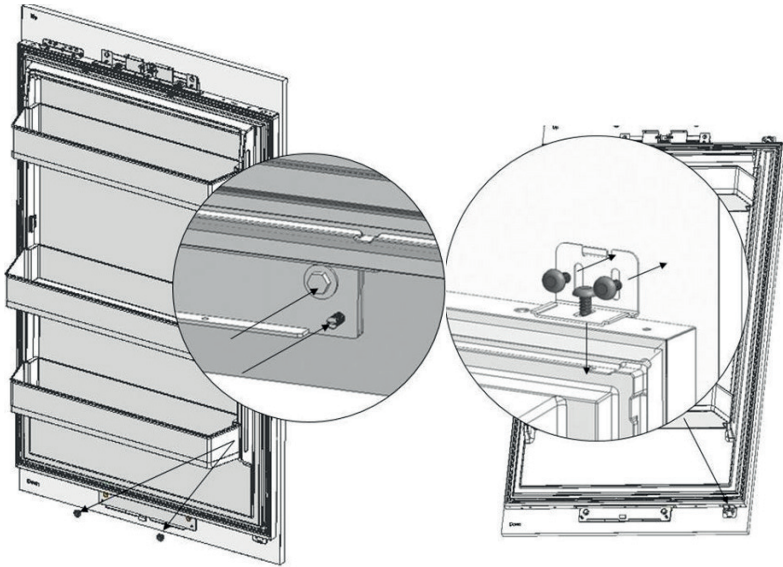
6. Совместите мебельную панель с дверцей и установите **2 винта** в верхней части.



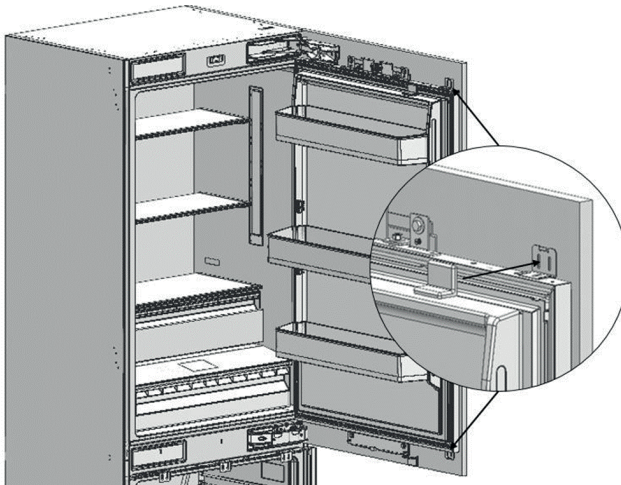
7. Выровняйте положение панели с помощью **2 винтов** и **2 болтов**, как показано на рисунке.



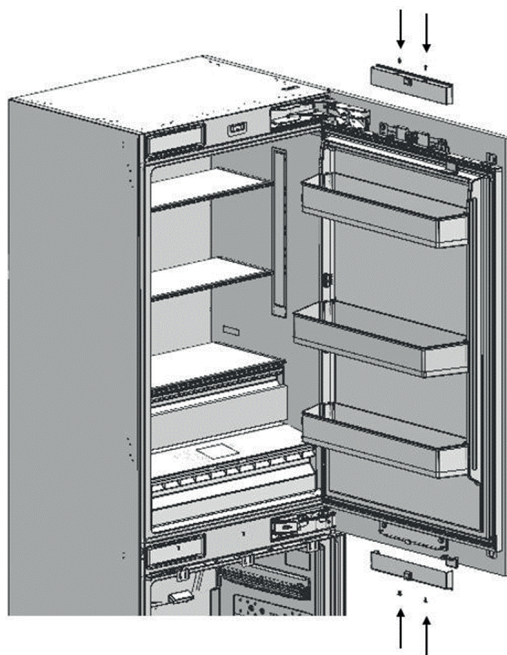
8. Зафиксируйте крепление в нижней части дверцы с помощью шуруповерта и биты T25.



9. Установите наклейки на крепежные скобы в верхнем и нижнем углу с левой стороны дверцы.



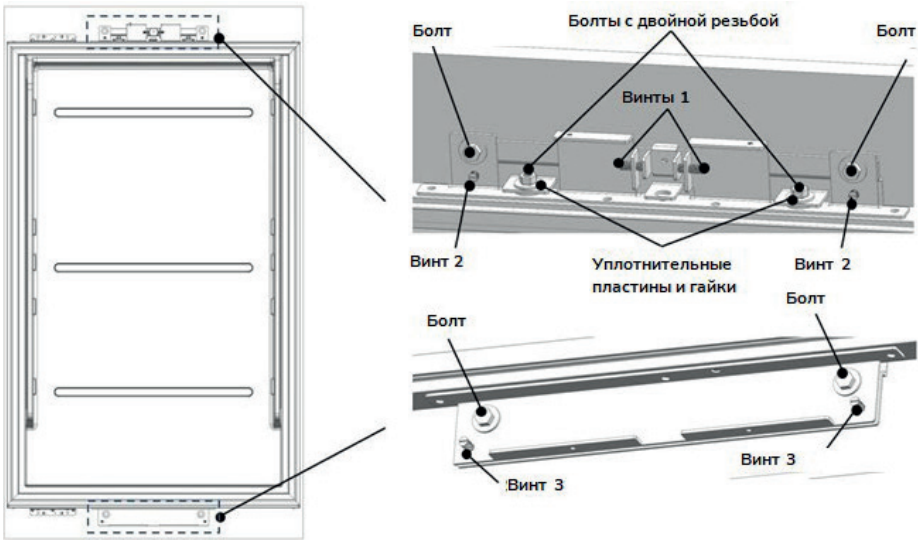
10. Установите крышки на крепления в верхней и нижней части дверцы.



Предупреждение

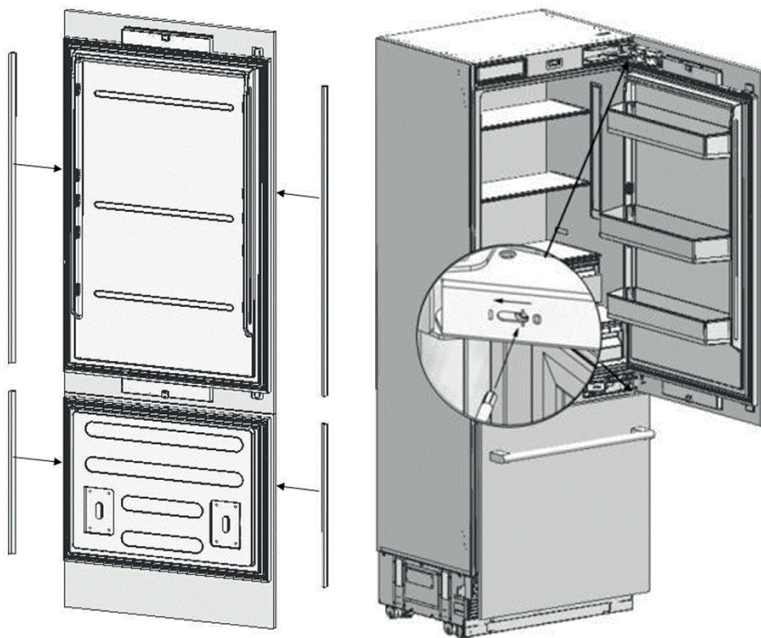
Если какие-либо элементы из комплекта поставки остались не задействованы, сохраните их: они могут понадобиться для перенавешивания дверцы.

Выравнивание панели холодильной камеры



1. Используйте болты с двойной резьбой, чтобы зафиксировать в нужном положении верхнюю часть панели.
2. Используйте **винты 1**, чтобы выровнять панель по горизонтали.
3. Используйте **винты 2**, чтобы сместить верхнюю часть панели вперед или назад. Зафиксируйте ее с помощью болтов.
4. Используйте **винты 3**, чтобы сместить верхнюю часть панели вперед или назад. Зафиксируйте ее с помощью болтов.
5. Чтобы закрепить панель в нужном положении, используйте уплотнительные пластины и гайки.

6. После выравнивания установите боковые накладки по обеим сторонам панелей холодильной и морозильной камер.



7. При необходимости также отрегулируйте дверные петли: полностью откройте дверцу и с помощью дрели-шуруповерта переместите регулировочные винты, чтобы затянуть или ослабить петли.

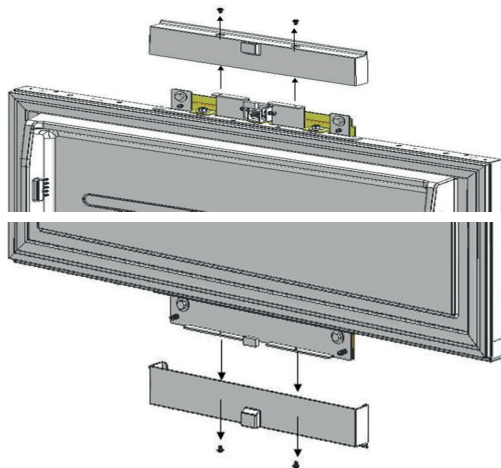


Внимание

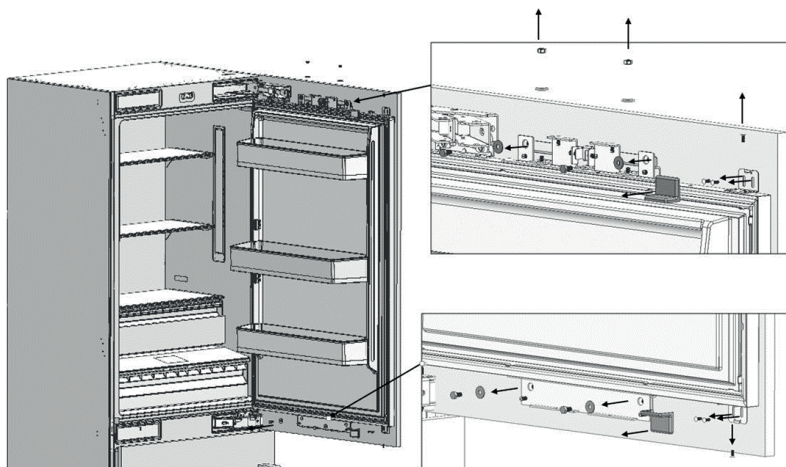
Для регулировки дверцу нужно полностью открыть.

Перенавешивание дверцы (MBI453MaxPro, 558MaxPro)

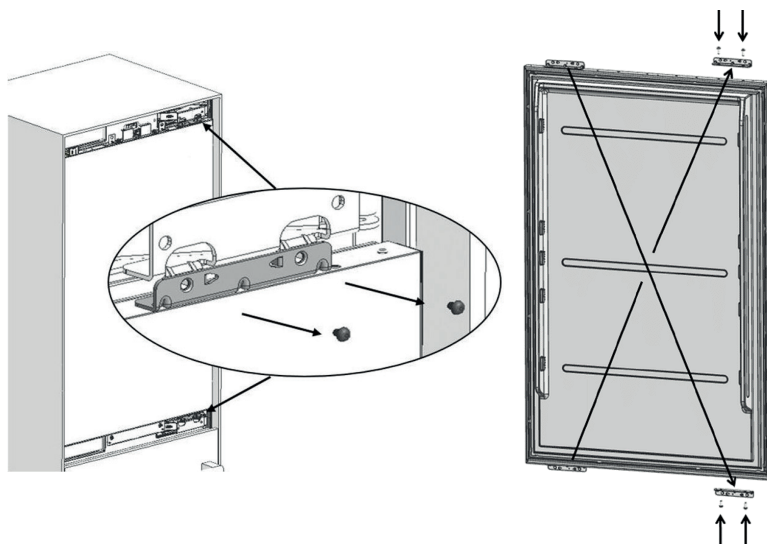
1. Переместите регулировочные винты петель в **положение 0**, если они находятся в другом положении.
2. Снимите боковые накладки с дверцы.
3. С помощью шуруповерта ослабьте по **2 винта** на крышках креплений в верхней и нижней частях дверцы и снимите крышки.



4. Попросите кого-нибудь придержать мебельную панель и отсоедините ее от дверцы холодильника, сняв все крепежные элементы в верхней и нижней части. Отложите панель.

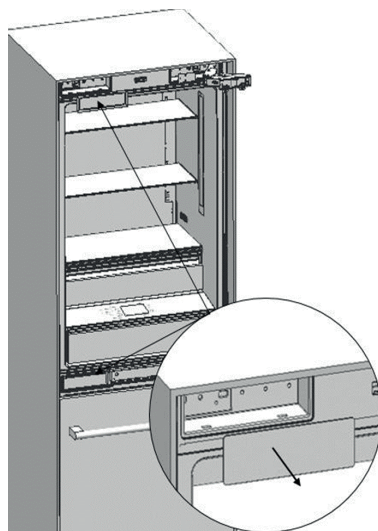


5. Попросите кого-нибудь придержать дверцу и выкрутите винты из креплений дверных петель с помощью шуруповерта.

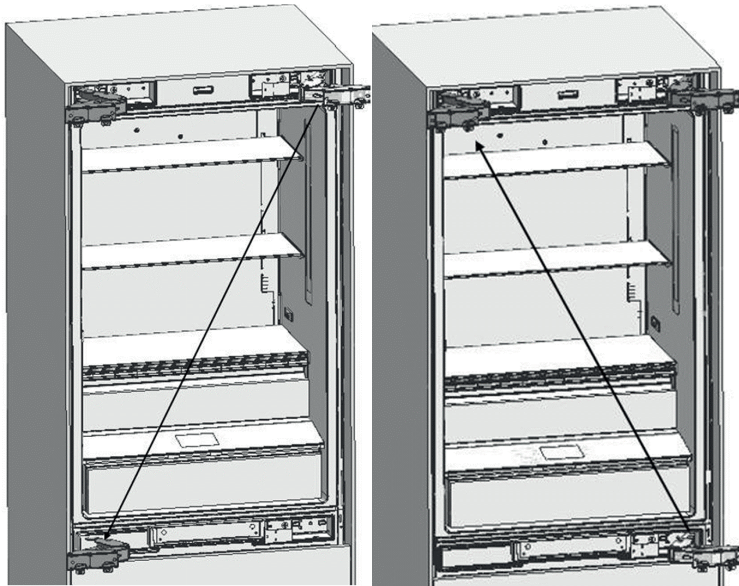


6. Положите дверцу на ровную горизонтальную поверхность, снимите крепления и зафиксируйте их на противоположных углах (см. рисунок).

7. Снимите крышки с отверстий для верхней и нижней петель на стороне, противоположной той, где они были установлены ранее.



8. Используя шуруповерт с **битой T27**, выкрутите по **2 винта** из каждой петли и закрепите петли в противоположных углах.




9. Закройте освободившиеся отверстия для петель крышками.

10. Установите дверцу и мебельную панель, выполнив перечисленные выше действия в обратном порядке — **от шага 5 к шагу 2**:

- Закрепите дверцу холодильника на петлях.
- Установите на нее мебельную панель.
- Установите крепления и их крышки вверху и внизу дверцы.
- Установите на дверцу боковые накладки.

Управление




Нажмите  — устройство начнет работать через **5 секунд**.

Температура по умолчанию для холодильной камеры — **+5 °C**, морозильной — **-18 °C**. Настроить температуру можно нажатием соответствующих кнопок на панели управления: REF. TEMP. — для холодильной камеры, FRE. TEMP. — для морозильной. Значения будут меняться на дисплее рядом с каждой кнопкой.


Если еще раз нажать кнопку настройки после того, как дисплей покажет минимальное значение (**-24/+2 °C**), загорится символ снежинки и активируется режим Суперзаморозка/Суперохлаждение.

Для модели MBI552FDMaxPro Вы можете выбрать температуру для правого нижнего ящика холодильной камеры, нажимая кнопку SPE. TEMP. Диапазон настройки — **от -1 до +5 °C**.

Блокировка  : чтобы включить/отключить блокировку панели управления, нажмите **MENU** на **3 секунды**.

Функции


Для выбора функций нажимайте кнопку **MENU**, пока на дисплее не подсветится нужный символ. Чтобы подтвердить выбор, нажмите **SELECT**. Для отключения функции еще раз нажмите **MENU**.


– **Отпуск**  : в холодильной камере установится температура **+17 °C**, в морозильной — **-18 °C**.




Предупреждение

Когда функция Отпуск активна, не храните продукты в зоне свежести.

– **Sabbath**  : дисплей и звуковые сигналы будут отключены, но холодильник продолжит работу.

– **Энергосбережение**  : в холодильной камере установится температура **+8 °C**, в морозильной — **-15 °C**.

– **Выбор единиц измерения**  : позволяет переключаться между градусами Цельсия (°C) и Фаренгейта (°F).

Эксплуатация

– Перед первым использованием очистите холодильник от загрязнений, которые могли появиться на производстве и в процессе установки (см. раздел **Очистка** и обслуживание).

– После первого включения дайте устройству поработать **6 часов** перед загрузкой в него продуктов.

– Не перегружайте камеры и дверные полки. Максимальная нагрузка на полки и ящики приведена в таблице ниже.

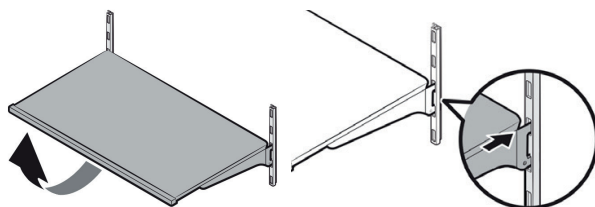
Модель	MBI453MaxPro, MBI558MaxPro	MBI552FDMaxPro
Дверцы холодильной камеры	25 кг	10 кг
Ящик морозильной камеры	10 кг	10 кг

! Примечание

При включении Вы услышите шум: заработает компрессор, жидкости и газы будут распределяться по системе охлаждения. Также могут немного нагреваться передние края холодильника. Оба состояния являются нормальными.

Снятие полок

- Не устанавливайте дверные и стеклянные полки на одинаковом уровне.
- Чтобы снять дверную полку, приподнимите и выньте ее из держателей.
- Чтобы снять стеклянную полку, приподнимите ее переднюю часть и выньте полку из держателей.

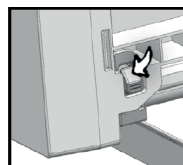
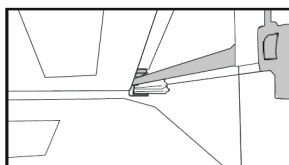
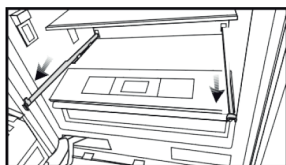


Предупреждение

Если нужно опустить полку в воду для очистки, дождитесь, пока она согреется до комнатной температуры.

Снятие и установка ящиков

1. Чтобы вынуть ящик, выдвиньте его на максимальное расстояние.
2. Аккуратно вытащите ящик из креплений и выньте его.
3. Чтобы установить ящик, полностью выдвиньте направляющие.
4. Совместите углы в задней части ящика с креплением на заднем конце направляющих.
5. Аккуратно надавите на ящик, чтобы он зафиксировался в направляющих.



Рекомендации по хранению

- Соблюдайте указания производителей на упаковке.
- Не следует повторно замораживать размороженные продукты.
- Храните продукты в контейнерах или другой упаковке небольшими порциями.
- Материал упаковки должен выдерживать низкие температуры.
- Не храните овощи и фрукты в пластиковых пакетах, лучше использовать перфорированную бумагу или другой материал, который не даст им быстро испортиться.
- Для выбора температуры хранения можно воспользоваться следующей таблицей.

Морозильная камера	Холодильная камера	Назначение
-18 °С	+4 °С	Стандартная температура
-20 °С	+3 °С	Используйте эти настройки, если температура среды выше +30 °С
-24 °С	+2 °С	Используйте эти настройки, если считаете, что продукты охлаждаются недостаточно
Суперзаморозка	Суперохлаждение	Используйте этот режим, чтобы быстро заморозить/охладить много продуктов



Примечание

Суперохлаждение лучше включить за 4–8 часов до загрузки продуктов.

- Для оптимального размещения продуктов в холодильной камере можно воспользоваться следующей таблицей.

Полки внутри камеры	Продукты и готовая еда в контейнерах или объемной посуде
Дверные полки	Продукты и напитки небольшого объема
Ящики	Овощи и фрукты
Ящик с настройкой температуры	Деликатесы (сыры, салатами и т. п.)

– Размещайте продукты так, чтобы они не мешали друг другу. Например, киви, груши, персики, томаты, огурцы, брокколи, латук, капуста, петрушка и шпинат выделяют этилен, поэтому их нельзя хранить с другими овощами и фруктами, иначе они быстро испортятся.

Советы для экономии энергии

- Не перегружайте рабочие камеры.
- Выбирайте место установки так, чтобы на прибор не попадал прямой солнечный свет, а источники тепла находились на расстоянии не менее **30 см** от холодильника.
- Не оставляйте дверцу и ящик открытыми надолго.
- Не кладите в холодильник неостывшие продукты.
- Можно размораживать продукты в холодильной камере: это немного снизит нагрузку на систему охлаждения.
- Следите, чтобы продукты в ящиках не касались температурных датчиков.
- Своевременно очищайте холодильник и проводите техническое обслуживание.

Очистка и обслуживание

Регулярная очистка продлевает срок службы техники и способствует экономии энергии.

- Выключайте холодильник перед очисткой.
- Используйте слабый мыльный раствор или растворите чайную ложку соли угольной кислоты в литре воды, протрите устройство влажной мягкой тканью и вытрите насухо.
- Не используйте мыльный раствор с высокой концентрацией и средства, содержащие легковоспламеняющиеся или едкие вещества.
- Не используйте острые предметы и пылесосы.
- Холодильника рекомендуется чистить каждые 15 дней, конденсатор — раз в полгода.
- Сразу удаляйте пятна от маслянистых продуктов.
- Следите, чтобы вода не попадала на электрические компоненты.
- Если Вы долго не планируете пользоваться холодильником, очистите его и оставьте приоткрытым.

Устранение неполадок

В этом разделе приведены советы для устранения распространенных неполадок. Если эти рекомендации не помогли, обратитесь в сервисную службу.

Проблема	Возможная причина	Решение
Холодильник не включается	Вилка плохо вставлена в розетку	Проверьте соединение
	Перегорел предохранитель	Замените предохранитель
	Нет электричества	Проверьте, работают ли другие приборы
Конденсат в холодильном отделении	Дверцу открывают слишком часто	Не открывайте дверцу без необходимости
	Дверца неплотно закрыта	Плотно закрывайте дверцу
	Высокая влажность в помещении	Устанавливайте холодильник в сухом помещении
	Испарение от продуктов	Храните продукты в закрытых контейнерах
Не работает компрессор	Сработал предохранитель компрессора	Подождите 5–7 минут . Если компрессор не включится, обратитесь в сервисную службу
	Цикл разморозки	Никаких действий не требуется: это нормальное состояние
	Неправильные настройки температуры	Установите подходящие настройки
Шум или вибрация	Шум от компрессора, газов или жидкостей в системе	Никаких действий не требуется: уровень шума может меняться в зависимости от цикла работы
	Холодильник не выровнен	Выровняйте устройство
	На холодильнике что-то лежит	Ничего не кладите на прибор
	Шум из вентиляции	Никаких действий не требуется: это нормальное состояние
Конденсат на внешней поверхности холодильника	Высокая влажность в помещении	Устанавливайте холодильник в сухом помещении
	Холодильник редко используют	Никаких действий не требуется: это нормальное состояние

Проблема	Возможная причина	Решение
Неприятный запах	Испортились продукты	Уберите испортившиеся продукты
	Загрязнения в рабочей камере	Проведите очистку
	Сильно пахнущие продукты хранятся незакрытыми	Поместите продукты в закрытый контейнер
	Продукты упакованы в неподходящий материал	Используйте упаковку, устойчивую к низким температурам
Дверца или ящик не закрываются	Продукты неправильно размещены	Расположите продукты так, чтобы они не мешали полностью закрывать камеры
	Холодильник наклонен вперед	Установите устройство ровно
Ящик не открывается	Продукты неправильно размещены	Расположите продукты так, чтобы они не мешали открывать ящик

Информация по гарантии

Сохраняйте гарантийный талон на холодильник. На элементы и аксессуары, приобретаемые в дополнение, гарантия не распространяется. Материалы, которые необходимо заменить с течением времени и в зависимости от интенсивности использования, как указано в руководстве по эксплуатации, не подпадают под действие гарантии. Данная гарантия не распространяется на сбои, возникающие в результате ненадлежащего или коммерческого использования, и следующие ситуации:

1. Любые повреждения и неисправности, возникающие в результате установки и использования устройства с нарушением инструкций, приведенных в руководстве.
2. Любые повреждения и неисправности, связанные с транспортировкой холодильника после его доставки заказчику.
3. Любые повреждения и поломки из-за низкого или чрезмерного напряжения, неправильной электрической установки, использования при напряжении, которое отличается от указанного на табличке изделия.
4. Повреждения и неисправности из-за пожара и/или молнии.
5. Вмешательство в конструкцию и ремонт оборудования кем-либо, кроме уполномоченного лица.
6. Проблемы, возникающие при монтаже любых деталей, кроме поставляемых производителем.

Продавец, дилер, агентство или представитель, у которого потребитель приобретает изделие, несет ответственность за выдачу и доставку гарантийного талона потребителю. Фальсификация гарантийного талона, удаление оригинального серийного номера с продукции делает гарантию недействительной.

В случае несоблюдения мер предосторожности, указанных в руководстве в отношении изделий из нержавеющей стали, могут появиться почернение, окисление и волны на поверхности. Такие условия не подпадают под действие гарантии.

Предупреждения по транспортировке и обработке

Во время обработки соблюдайте указания знаков на картонной коробке.

Если требуется транспортировка:

Сохраняйте оригинальную упаковку.

Перевозите в оригинальной упаковке и соблюдайте указания знаков на упаковке.

Если оригинальная упаковка недоступна, не помещайте тяжелые предметы на холодильник.

Соблюдайте следующие меры:

1. Приобретая холодильник, получите гарантийный талон.
2. Если Вам требуется обслуживание изделия, обратитесь в авторизованный сервисный центр.

Срок службы — 10 лет. Производитель гарантирует, что в течение этого периода запасные детали для изделия будут доступны.

Обслуживание и запасные детали

При необходимости Вы можете приобрести запасные детали для холодильника в авторизованном сервисном центре. В упаковке находится список сервисных центров. Чтобы запросить запасную деталь при обращении в сервисный центр или к дилеру, укажите версию изделия из таблицы внутри корпуса.

Если Вы соблюдаете все инструкции, но неисправность остается, можете связаться с сервисным центром.

Сервисная служба

При возникновении любых вопросов, связанных с покупкой, эксплуатацией и обслуживанием техники **MILLEN**, вы можете проконсультироваться по телефону с сервисной службой **8-800-77-55-44-7**.

Подробные условия гарантийного обслуживания Вы найдете в гарантийном талоне внутри упаковки.



Благодарим Вас за выбор техники MILLEN!

Мы заботимся о наших покупателях на каждом шаге взаимодействия с брендом: от момента выбора и до гарантийного обслуживания.

Если Вы столкнулись с неисправностью в работе техники, оставьте заявку на обслуживание на официальном сайте elxir.pro



Программа Elexir распределяет заявки только в **авторизованные сервисные центры**, прошедшие аттестацию службы качества бренда MILLEN.



100% оригинальные запчасти

Все запчасти производитель MILLEN напрямую отправляет в сервисные центры мастеров.



Квалифицированные мастера ремонта

крупной встраиваемой бытовой техники.



elxir.pro



Утилизируйте упаковку с соблюдением правил экологической безопасности.

Материалы, используемые для упаковки данного изделия, пригодны для вторичной переработки.

Перед тем как утилизировать отслужившее изделие приведите его в нерабочее состояние, чтобы оно не представляло опасность.

Для этого отсоедините холодильник от сети питания и обрежьте кабель питания. Для защиты окружающей среды важно, чтобы старые приборы утилизировались надлежащим образом.

Не утилизируйте данное изделие вместе с бытовым мусором.

Значок в виде перечеркнутого мусорного бака на колесах:

Запрещается утилизировать электрооборудование вместе с несортированными бытовыми отходами, используйте специализированные пункты сбора отходов. Обратитесь в местные органы власти для получения информации о ближайших пунктах сбора.

Когда электрооборудование отправляется на мусорные полигоны, то опасные вещества, попав в грунтовые воды и далее в пищевые цепочки, могут навредить вашему здоровью и самочувствию. В зависимости от законодательных требований, при замене старого прибора на новый дилер может быть обязан забрать ваш старый прибор для утилизации, как минимум бесплатно.

Согласно ст. 26 законодательного декрета от 14 марта 2014 года № 49 «Исполнение директивы 2012/19/ЕС об утилизации отходов электронного и электрического оборудования (RAEE)»: знак перечеркнутого мусорного бака, приведенный на приборе или на его упаковке, означает, что по завершении срока службы прибора его необходимо утилизировать отдельно от других отходов.

Поэтому пользователь должен будет сдать отслуживший прибор в подходящие муниципальные центры по раздельному сбору отходов электронного и электрического оборудования.

В качестве альтернативы самостоятельной утилизации можно сдать прибор дилеру в момент приобретения нового равнозначного прибора.

Кроме того, в точках продаж электронных, электрических изделий, площадь которых превышает **400 м²**, можно, приобретая новое изделие, бесплатно, без каких-либо обязательств сдавать электронные приборы размером менее **25 см**, подлежащие утилизации.

Надлежащий раздельный сбор отходов, отслуживших электроустройств для последующей переработки и утилизации, совместимый с охраной природы, позволяет избежать негативного воздействия на окружающую среду и здоровье людей, а также способствует повторному использованию материалов, из которых состоит прибор

MILLEN активно участвует в сохранении окружающей среды:

- Осуществлен переход к использованию материалов, уменьшающих воздействие на окружающую среду в процессах производства и эксплуатации.
- В производстве применяются более экологически чистые хладагенты.
- Сокращено потребление энергии и воды, как в процессе производства техники, так и путем внедрения экономичных решений в модели техники.
- Используем перерабатываемые и переработанные материалы в производстве самой бытовой техники и в упаковке.

Техника MILLEN соответствует стандартам устойчивого развития и оценкам экологических характеристик.

Путаетесь в терминах, связанных с переработкой? Словарик всего из пяти слов поможет разобраться:



1. Разборка отходов — начальный этап переработки, когда из всего, поступившего для переработки, выбирают только то, что подходит для вторичного использования.



2. Сортировка отходов — уже отобранные элементы, детали, части корпусов сортируют в зависимости от материала изготовления: пластик, металл, стекло и т. д.



3. Рециклинг — применение отходов по прямому назначению, а также их возврат в производственный цикл (после определенной подготовки).



4. Утилизация отходов, брака, отслуживших изделий — их повторное применение, использование для изготовления чего-то нового, сюда входят и оказание услуг, и выполнение работ, и рециклинг.



5. Переработка — в отличие от утилизации это именно процесс превращения отходов в энергию или новую продукцию.

Для улучшения качества жизни на всех уровнях мы предлагаем каждому участвовать в экологичной утилизации — не выбрасывать, а сдавать отслужившую технику.



Manufacturer / Производитель:

QINGDAO XINXING HOUSEHOLD APPLIANCE CO., LTD. No. 7 Road Beian Office Jimo Qingdao, Made In China.

Importers:

Vybor Ltd, 197375, Russia, Saint Petersburg, Verbnaya street, 27A, Technoland Ltd, 19 7375, Russia, Saint Petersburg, Verbnaya street, 27A, 7-N (№ 8), Technomir LLC, 188640, Russia, Vsevolozhsk, Vsevolozhskiy avenue, 72.

Импортеры:

ООО «Выбор» (Vybor Ltd), 197375, Россия, г. Санкт-Петербург, ул. Вербная, д. 27, лит. А.
ООО «Технолэнд» (Technoland Ltd), 197375, Россия, г. Санкт-Петербург, ул. Вербная, д. 27, лит. А, помещ. 7-Н (№ 8).
ООО «Техномир» (Technomir LLC), 188640, Россия, г. Всеволожск, пр-кт Всеволожский, д. 72.

The serial number is indicated on the device in the following format: **SAAAAAYMMBBBB**, where **SAAAAA** represents the model code, **YY** indicates the manufacturing year, **MM** represents the manufacturing month, and **BBBBB** indicates the model number within the batch.

Серийный номер указан на устройстве в следующем формате: **SAAAAAYMMBBBB**, где **SAAAAA** — код модели, **YY** — год изготовления, **MM** — месяц изготовления, **BBBBB** — номер модели в партии.

www.millen.eu



MILLEN.EU



Manufacturer:
QINGDAO XINXING HOUSEHOLD APPLIANCE CO., LTD.
No. 7 Road Beian Office Jimo Qingdao, Made In China.

الشركة المصنعة

LEMAL LLC-FZ is the official importer and distributor of MILLEN kitchen appliances in the UAE.

Importer:
LEMAL LLC-FZ

اسم الشركة
ليمال ش.ذ.م.م-منطقة حرة

مستوردين
مركز الأعمال 1، طابق الميزانين، فندق الميدان، ند الشبا، دبي، الإمارات العربية المتحدة



يتم توضيح رقم التسلسل على الجهاز بتنسيق التالي: SAAAAAYMMBBBB

حيث SAAAAA يمثل رمز النموذج، YY

يشير إلى سنة التصنيع، MM يمثل شهر التصنيع، وBBBBB يشير إلى رقم النموذج في الدفعة.

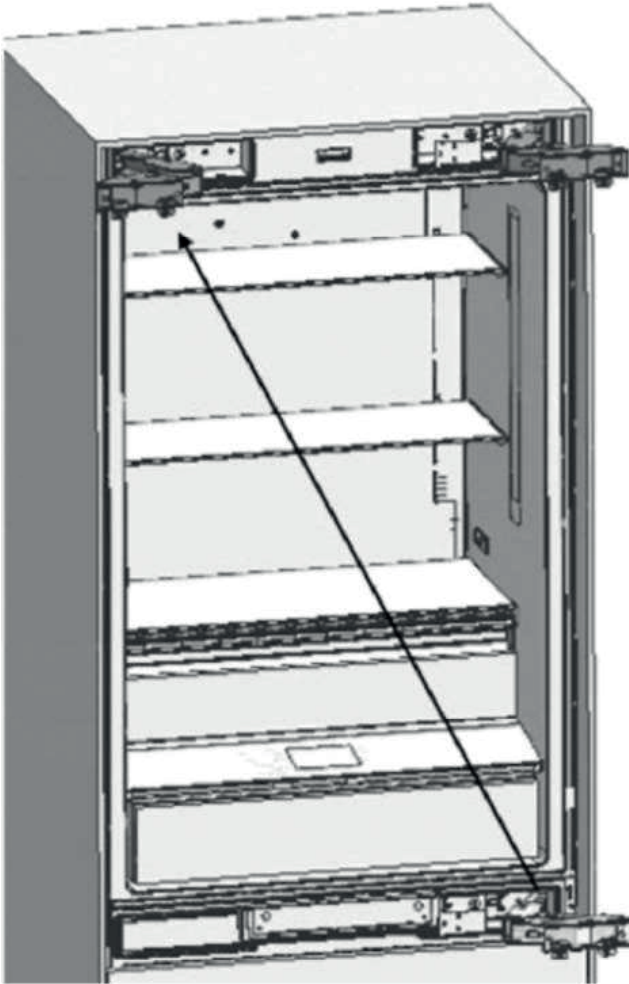
www.lemal.ae

LEMAL.AE

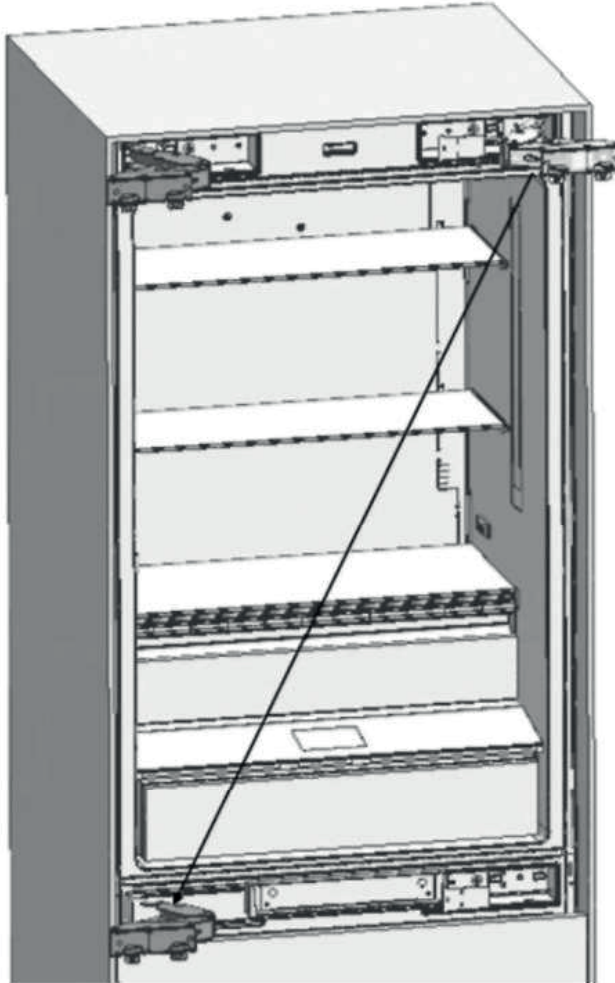
9. أعلق فتحات المفصلات التي تم إفراغها باستخدام الأغطية.
10. قم بتركيب الباب ولوحة الأثاث عن طريق تنفيذ الخطوات المذكورة أعلاه بترتيب عكسي من

الخطوة 5 إلى الخطوة 2:

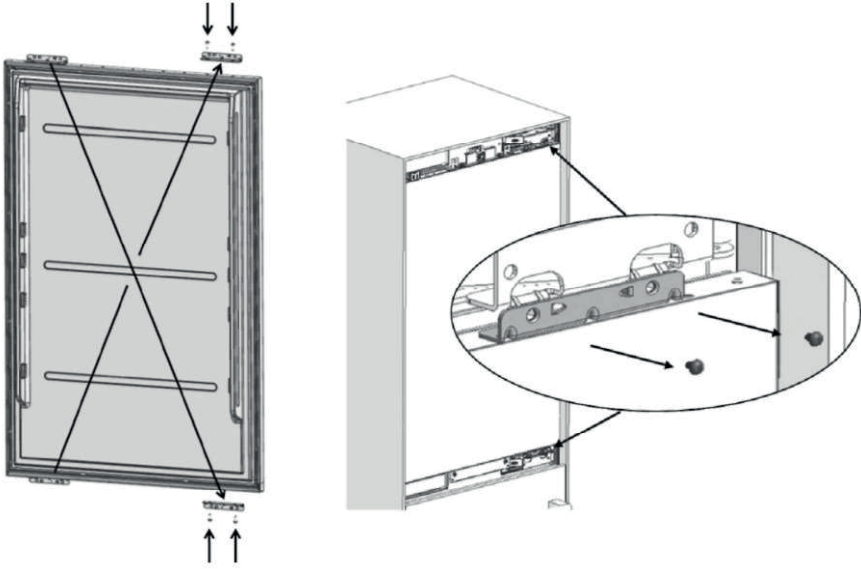
- ثبت باب الشلجة على المفصلات.
- قم بتركيب لوحة الأثاث عليه.
- قم بتركيب عناصر التثبيت وأغطيتها في الجزء العلوي والسفلي من الباب.
- ثبت الأغطية الجانبية على الباب.



8. باستخدام مفك براغي ذو ريشة الفك T27، قم بفك برغيين (2) من كل مفصلة ومن ثم ثبتت المفصلات في الزوايا المقابلة.

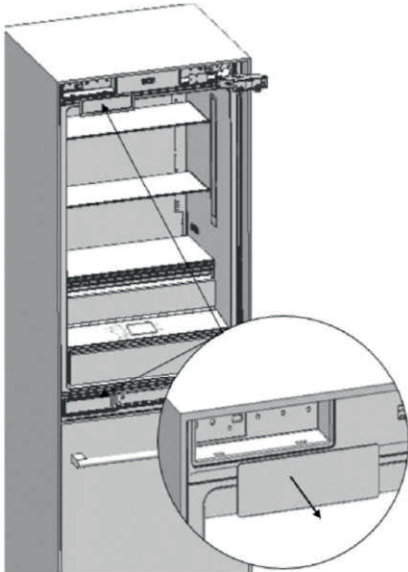


5. اطلب من شخص ما أن يمسك الباب ويفك البراغي من مفصلات الباب باستخدام مفك البراغي الكهربائي.

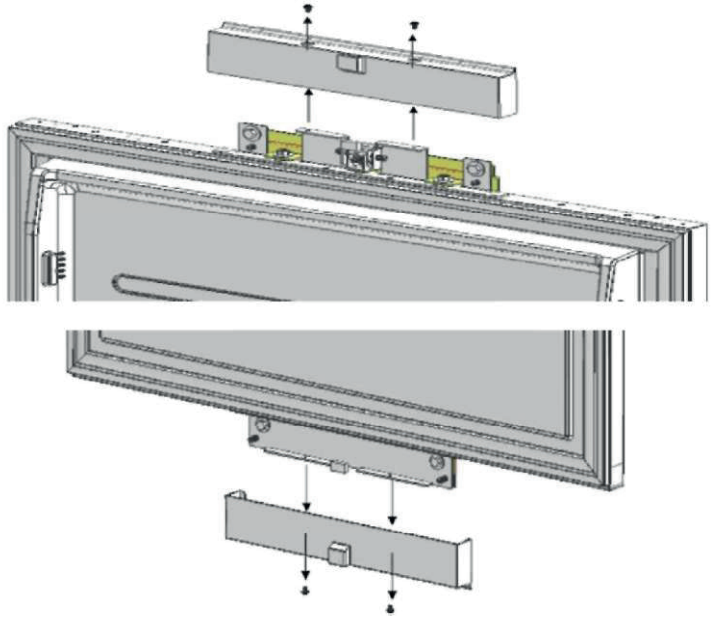


6. ضع الباب على سطح أفقي مستو، وقم بنزع عناصر التثبيت وثبتها في الزوايا المقابلة (انظر الرسم التوضيحي).

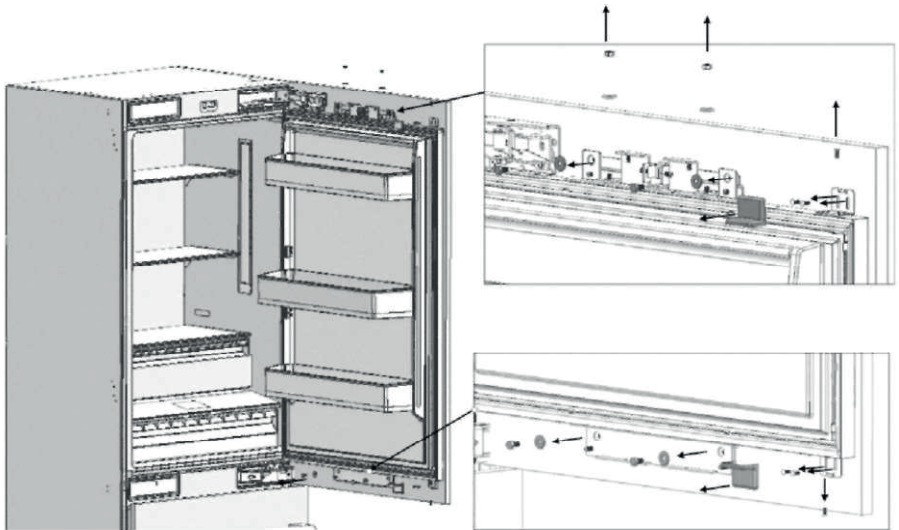
7. انزع الأغطية عن فتحات المفصلات العلوية والسفلية على الجانب المقابل للمكان الذي كانت مثبتته فيها سابقًا.

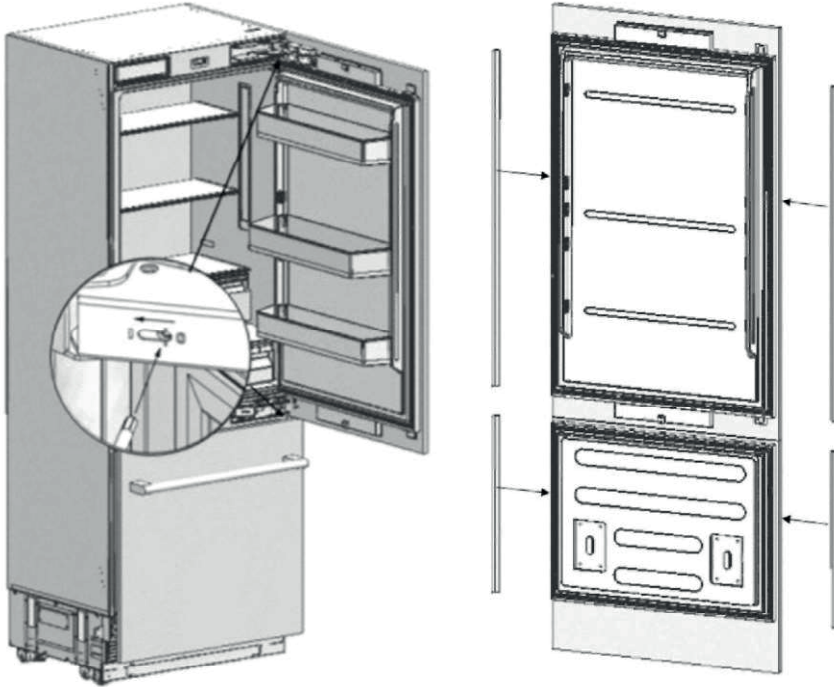


3. باستخدام مفك براغي كهربائي، قم بفك اثنتين (2) من البراغي الموجودة على أغطية التثبيت في الجزء العلوي والسفلي من الباب وانزع عنها الأغطية.



4. اطلب من شخص ما أن يمسك لوحة الخزنة ونزعها من باب الثلاجة عن طريق إزالة جميع عناصر التثبيت الموجودة في الأعلى والأسفل. ضع اللوحة جانبًا.





7. اضبط أيضاً مفصلات الباب إذا اقتضت الحاجة لذلك: افتح الباب تمامًا واستخدم المثقاب/مفك البراغي الكهربائي وانقل براغي ضبط الارتفاع لإحكام ربط المفصلات أو فكها.

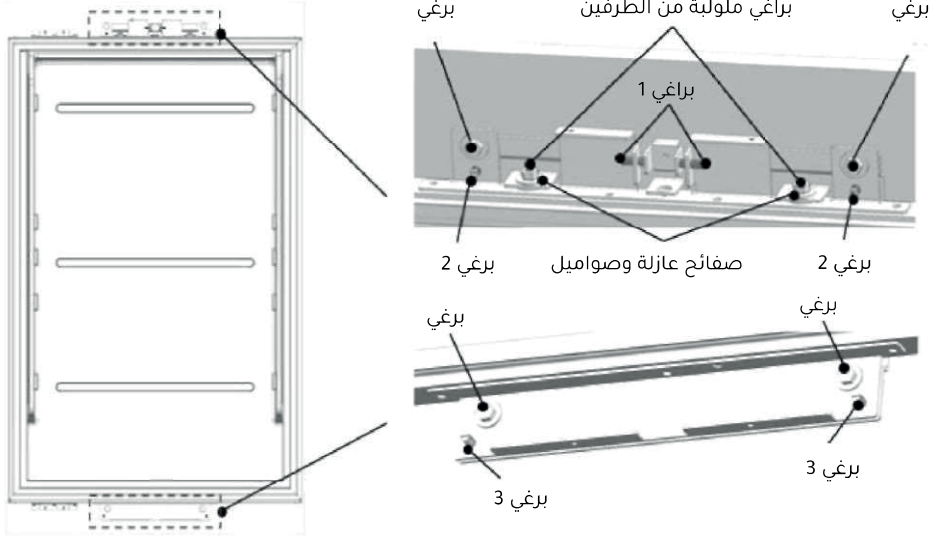
⚠ انتباه

لضبط الباب، يجب أن يكون الباب مفتوحًا بالكامل.

تغيير جهة فتح الباب (الطرزات MBI558MaxPro و MBI453MaxPro)

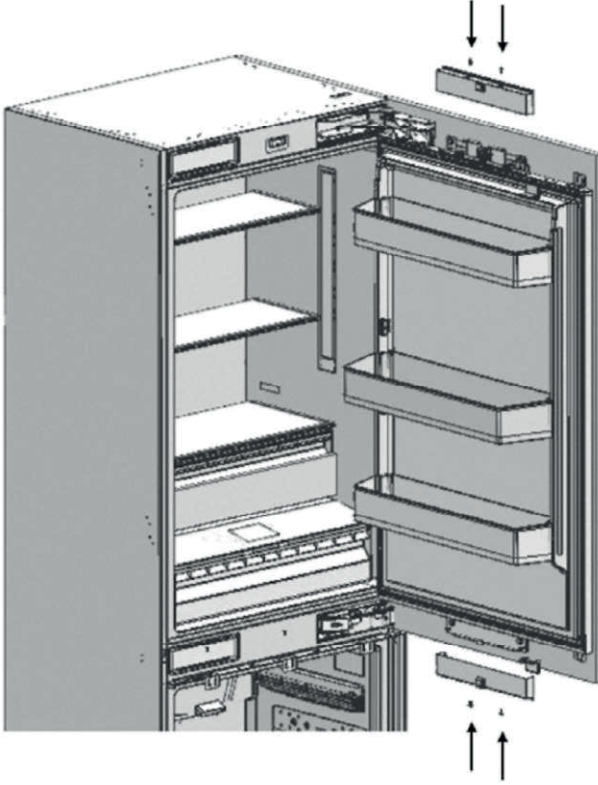
1. حرك براغي ضبط المفصلة إلى **الموضع 0** إذا كانت موجودة في موضع مختلف.
2. انزع الأغطية الجانبية عن الباب.

محاذاة لوحة حجرة التبريد



1. استخدم برغي ملولبة من الطرفين لتثبيت الجزء العلوي من اللوحة في موضعه.
2. استخدم **البرغي 1** لمحاذاة اللوحة أفقيًا.
3. استخدم **البرغي 2** لتحريك الجزء العلوي من اللوحة للأمام أو للخلف. ثبتها باستخدام البرغي.
4. استخدم **البرغي 3** لتحريك الجزء العلوي من اللوحة للأمام أو للخلف. ثبتها باستخدام البرغي.
5. استخدم صفائح العزل والصواميل لتثبيت اللوحة في موضعها.
6. بعد الانتهاء من عملية التسوية، ثبت الأغطية الجانبية على طرفي ألواح حجرتي التبريد والتجميد.

10. تُبَتُّ الأغطية على عناصر التثبيت الموجودة في الجزء العلوي والسفلي من الباب.

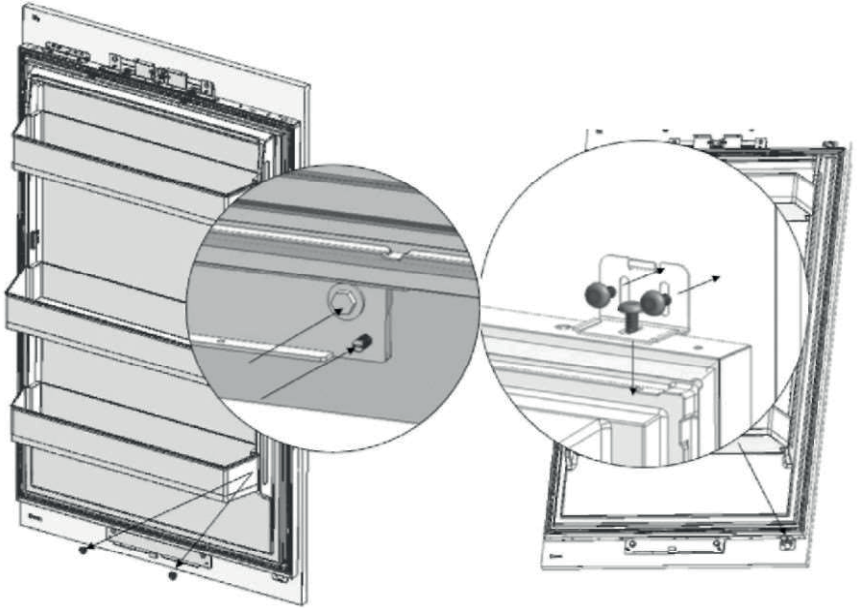


تحذير

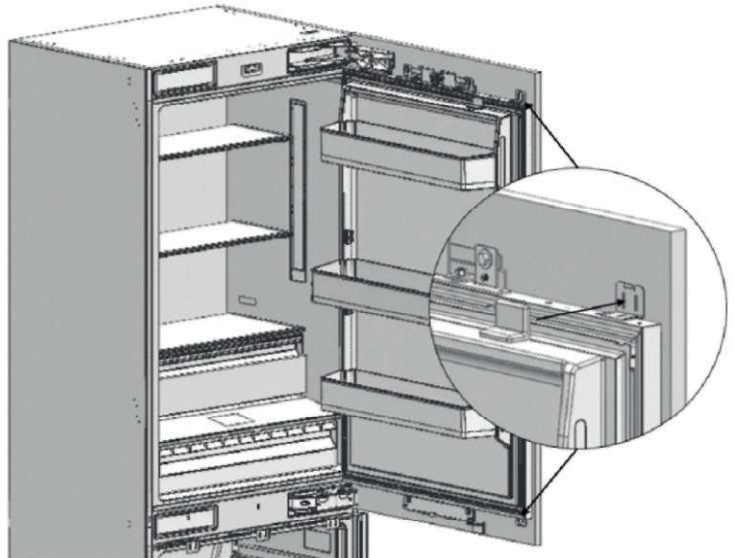
إذا بقيت أي من مجموعة التوصيل غير مستخدمة، فاحفظها؛ فقد تكون هناك حاجة إليها لإعادة تعليق الباب.

8. ثبت عناصر التثبيت في الجزء السفلي من الباب باستخدام مفك براغي كهربائي وريش

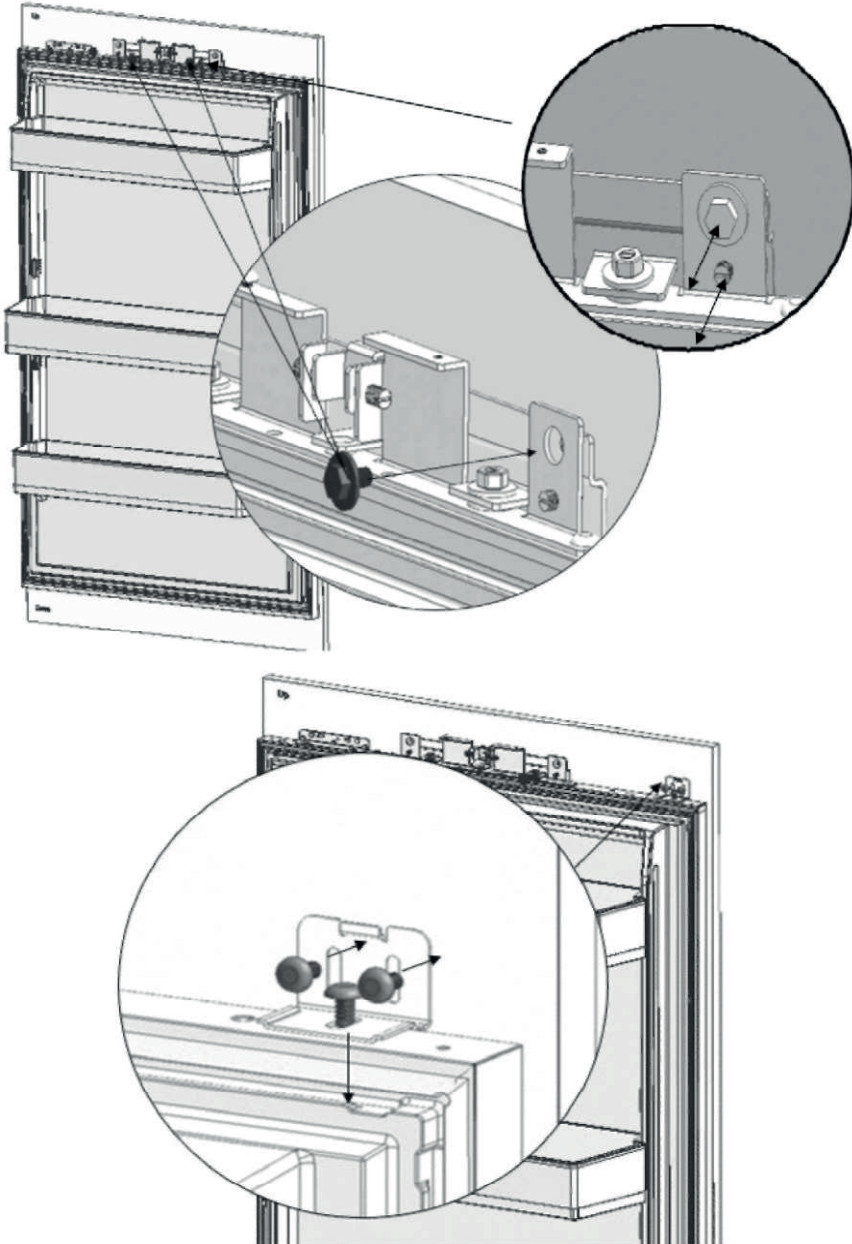
مفك T25.



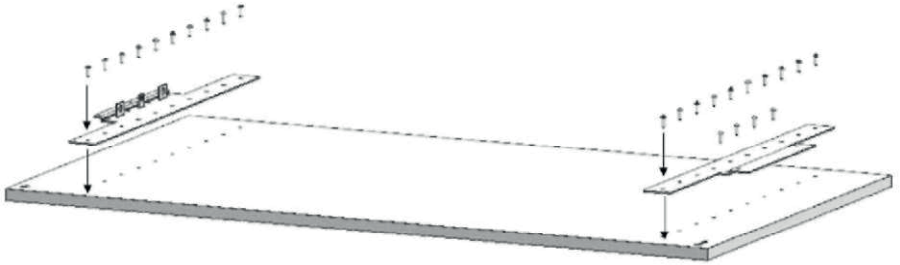
9. ثبت الأغشية على مشابك التثبيت في الزوايا العلوية والسفلية على الجانب الأيسر من الباب.



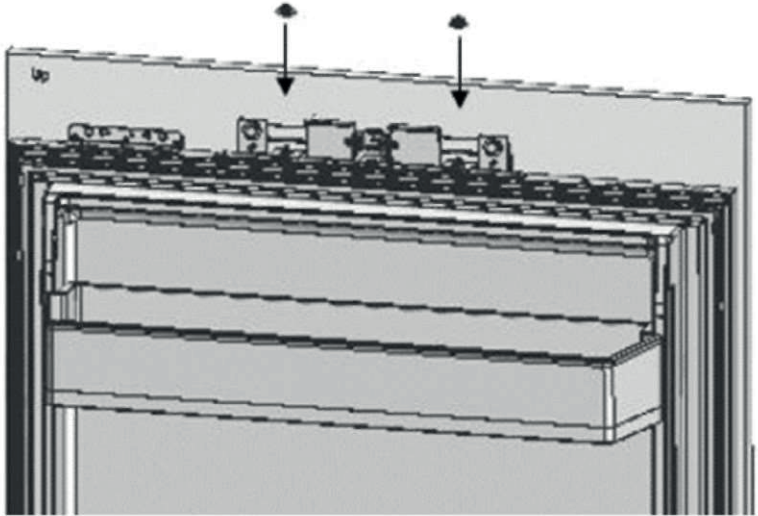
7. قم بمحاذاة اللوحة باستخدام اثنين (2) من البراغي واثنين (2) من البراغي الأخرى كما هو موضح في الرسم التوضيحي.



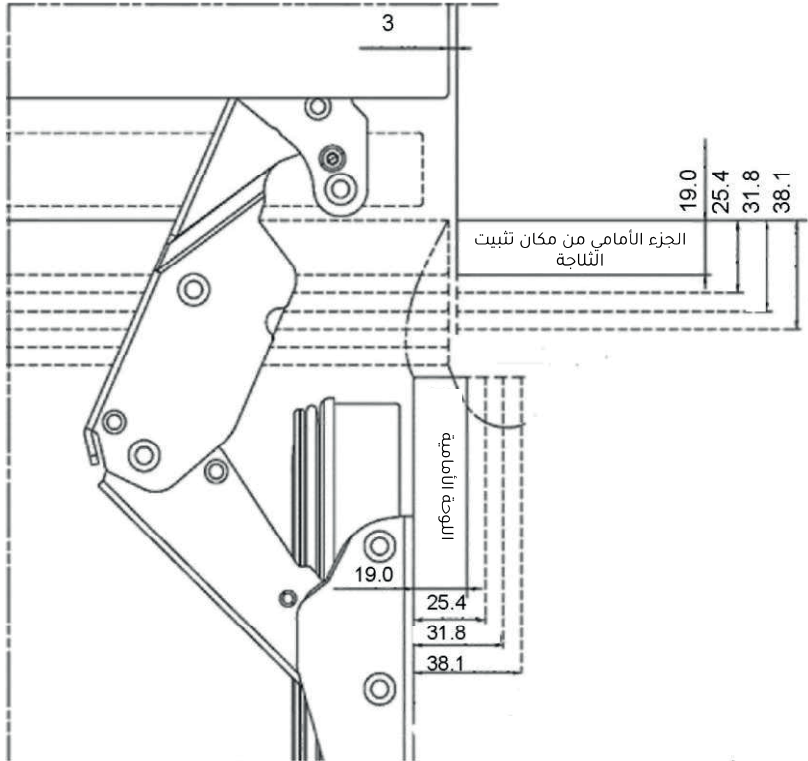
5. قم بتركيب عناصر التثبيت في أعلى وأسفل ألواح الأثاث وقم بتثبيتها ببراعي $M4 \times 14$ مم. يمكنك استخدام النموذج.



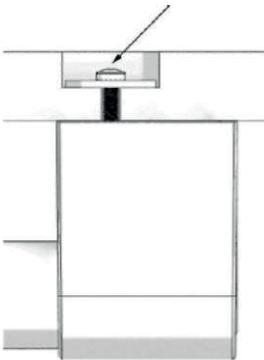
6. قم بمحاذاة لوحة الأثاث مع الباب وثبت برغيين (2) في الأعلى.

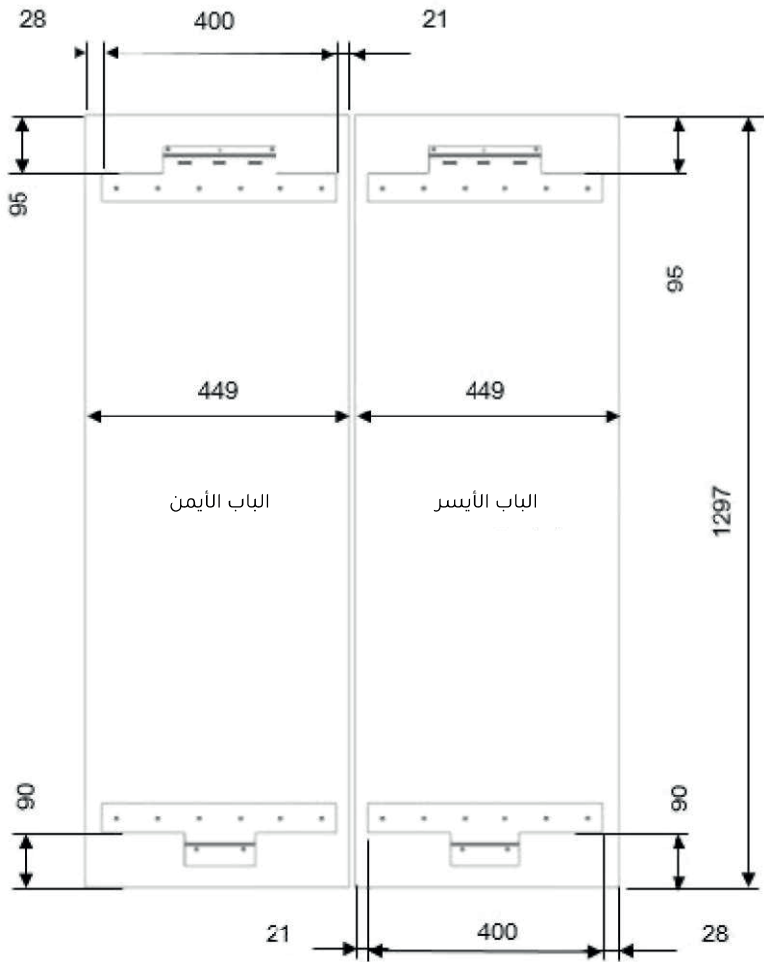


أقصى زاوية لفتح الباب هي 115 درجة. إذا زادت سماكة لوح الأثاث عن 38 مم، فإنه يتعين تركيب محدد على مفصل الباب بحيث لا يفتح أكثر من 90 درجة.



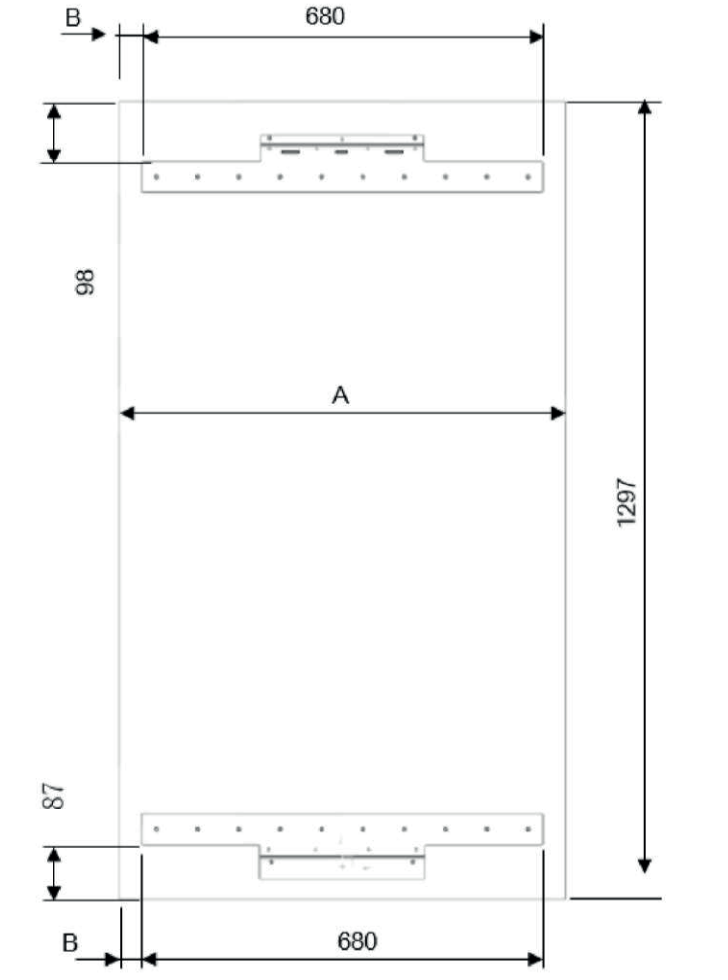
4. قم بتثبيت مقبض الباب وتأمينه باستخدام البرغي. يجب ألا يمتد غطاء البرغي إلى ما بعد تجويف الفتحة المخصص له (انظر الرسم التوضيحي).



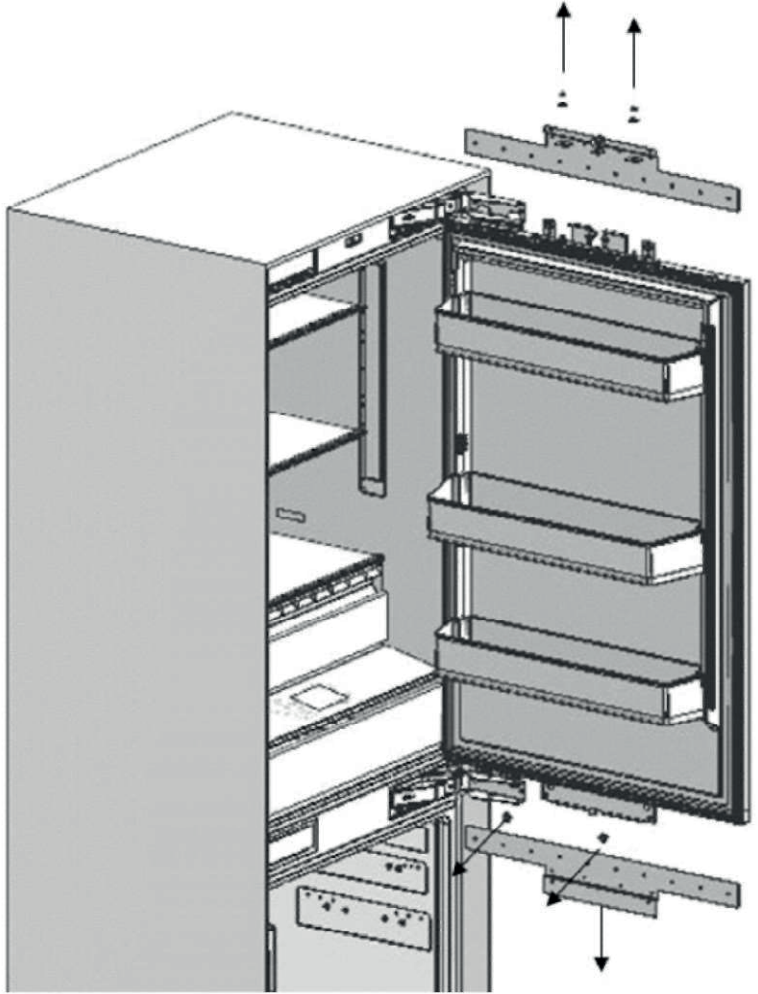


أبعاد الألواح لحجرة التبريد

القياس، مم	=MBI453MaxPro	=MBI558MaxPro
=^	=756	=908
=_	=38	=114

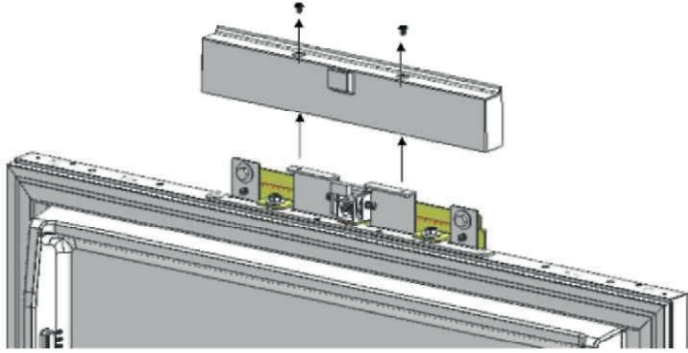


3. فك وانزع عناصر الثبي من الباب باستخدام مفك براغي كهربائي.



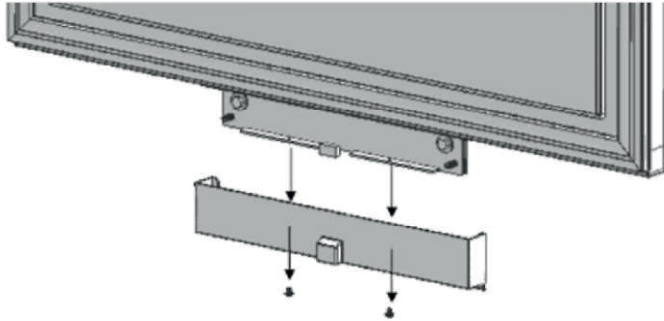
حجرة التبريد

1. فك البرغي من غطاء التثبيت الموجود أعلى الباب باستخدام مفك براغي كهربائي ثم انزع الأغطية.

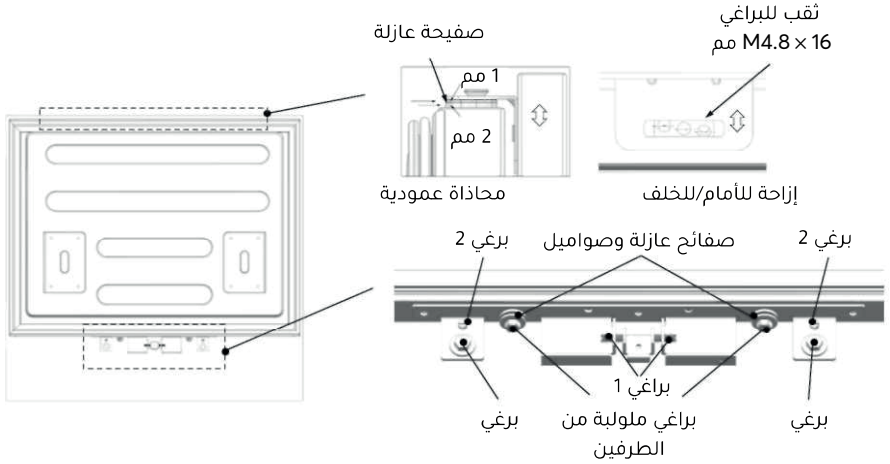


⚠ انتباه

- يوجد مغناطيس أسفل الغطاء وهو ضروري للتشغيل العادي لآلية الباب. ويمنع إزالته!
2. قم بإزالة **برغيين (2)** من عناصر التثبيت الموجودة أسفل الباب باستخدام مفك براغي كهربائي ثم انزع الغطاء.



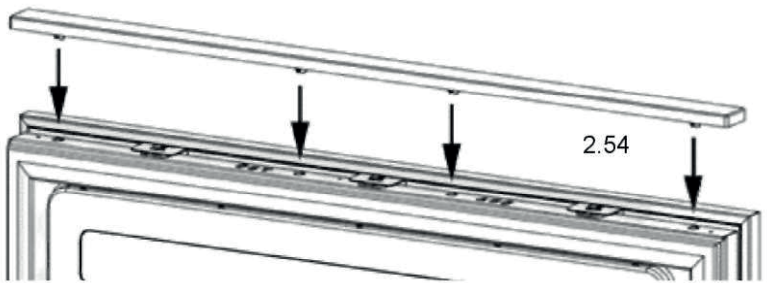
محاذاة لوحة حجرة التجميد



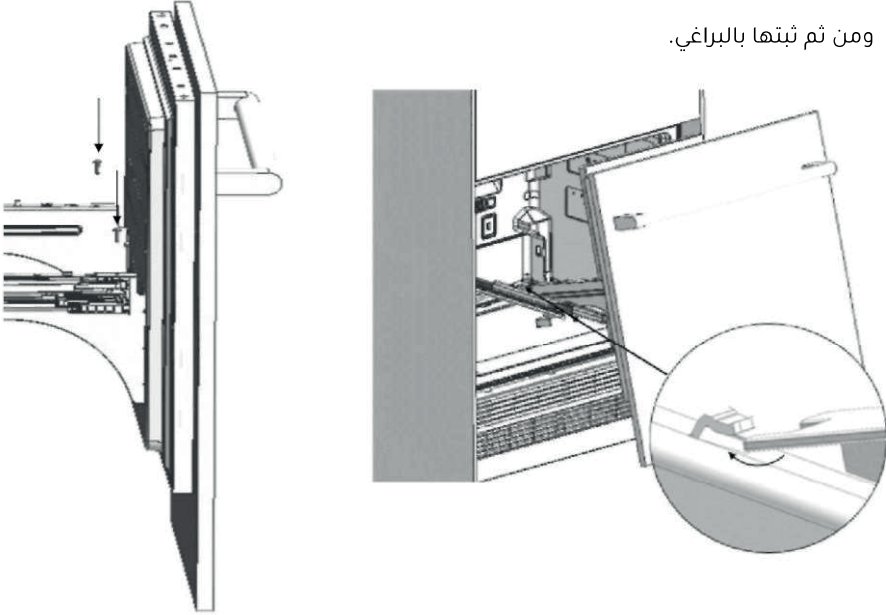
1. استخدم شريط العزل لمساواة الجزء العلوي من اللوحة.
2. استخدم **البراغي 1** (انظر الرسم التوضيحي أعلاه) لمحاذاة اللوحة أفقيًا.
3. إذا احتجت لتحريك اللوحة للأمام أو للخلف، انقل **البراغي** $M4.8 \times 16$ مم إلى إحدى الفتحات الفارغة الموجودة أعلى اللوحة.
4. أيضًا، تستخدم **البراغي 2** مع **المسامير** في الجزء السفلي للإزاحة.
5. لتثبيت اللوحة في موضعها بالأسفل، استخدم **براغي ملولبة من الطرفين** و**صفايح عازلة**

وصواميل

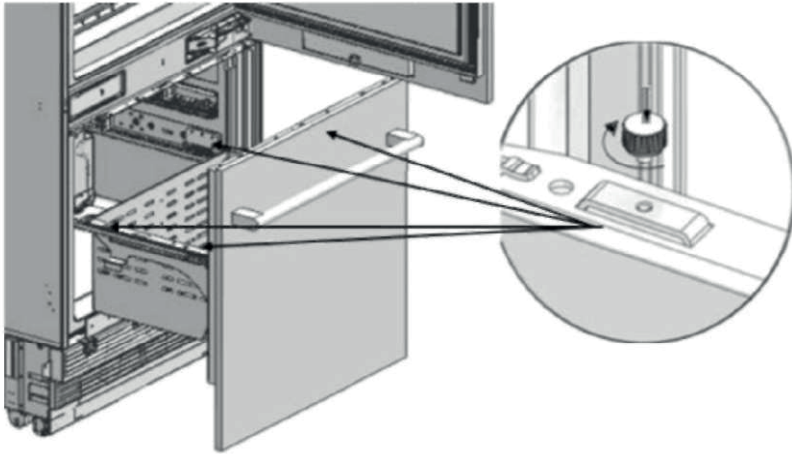
6. بعد الانتهاء من عملية التسوية، ثبت اللوح على الجزء العلوي من الدرج.



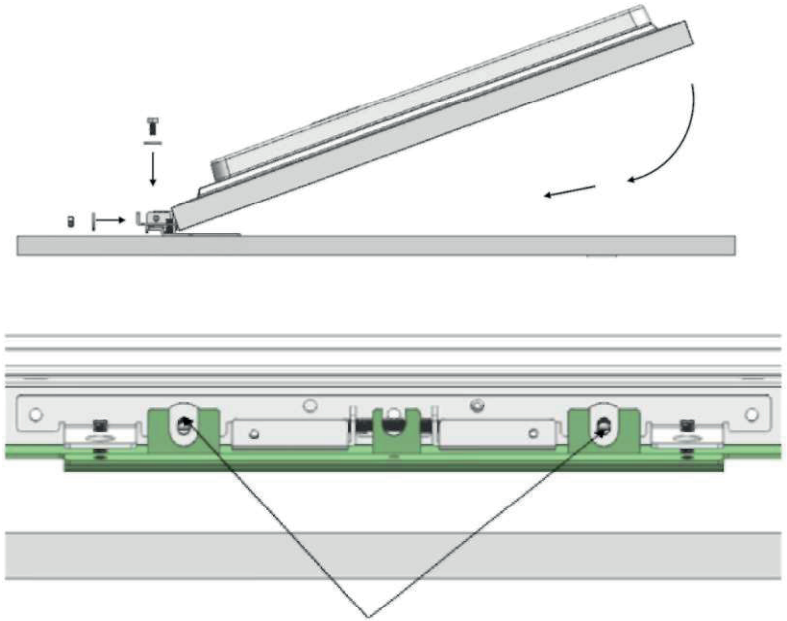
8. ضع اللوحة الأمامية المجمعة في موجهات حجرة التجميد ومن ثم ثبتها بالبراغي.



9. أدخل الصندوق المعدني في مكانه وقم بتثبيته على الموجهات باستخدام 4 براغي.

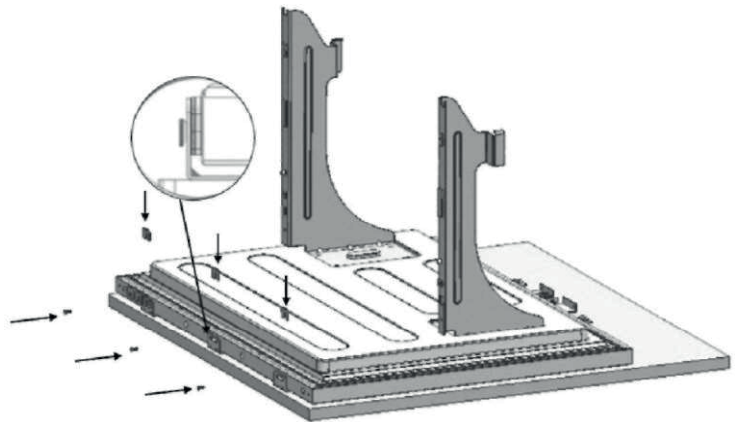


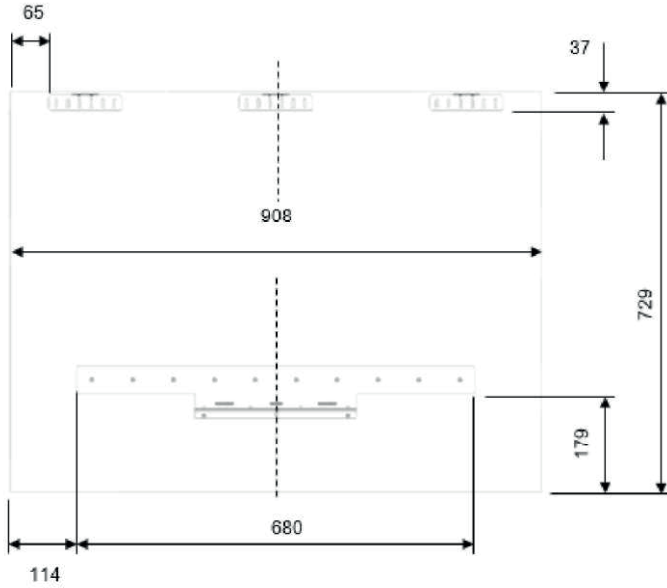
5. قم بمحاذاة اللوحة الأمامية لـ حجرة التجميد مع لوحة الأثاث، ووضعهما على سطح مستو وثابت. ثبّت البراغي في فتحات التركيب المخصصة لها.



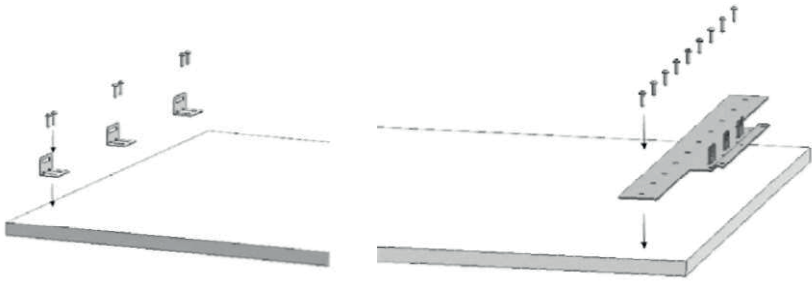
6. استخدم الصفائح العازلة المدرجة في مجموعة الشاكة لتثبيت عناصر التركيب.

7. شد عنصر التثبيت بالبراغي $M4.8 \times 16$ مم باستخدام مفك البراغي كهربائي.

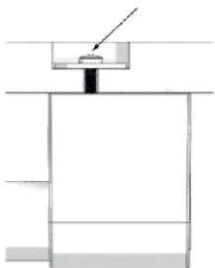




2. قم بتركيب عناصر التثبيت في الجزء السفلي من لوحة الأثاث وثبته بالبراغي. يمكنك استخدام النموذج.



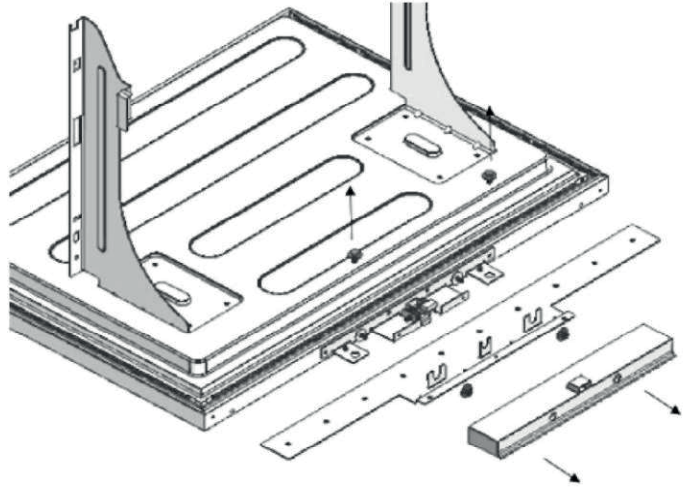
3. قم بتركيب 3 مشابك تثبيت في الجزء العلوي من لوحة الأثاث، ثم قم بتثبيت كل مشبك باثنين من البراغي (2).



4. قم بتركيب وتثبيت مقبض درج حجرة التجميد باستخدام البراغي. يجب ألا يمتد غطاء البرغي إلى ما بعد تجويف الفتحة المخصص له (انظر الرسم التوضيحي).

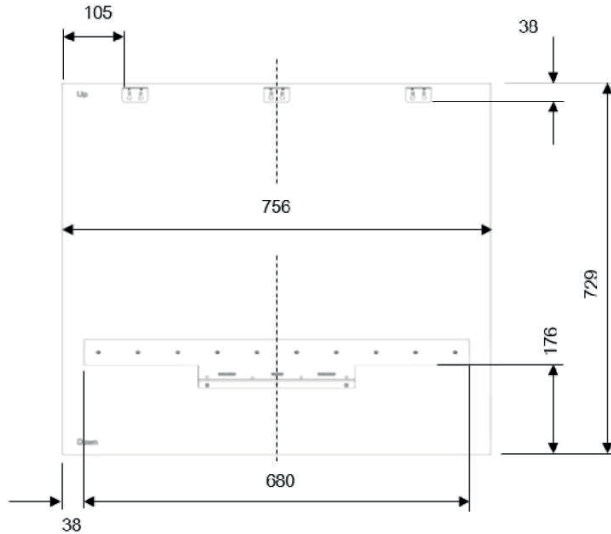
حجرة التجميد

1. فك الأغطية وأدوات التثبيت وقم بإزالتها من أعلى اللوحة الأمامية لدرج حجرة التجميد باستخدام مفك البراغي الكهربائي.



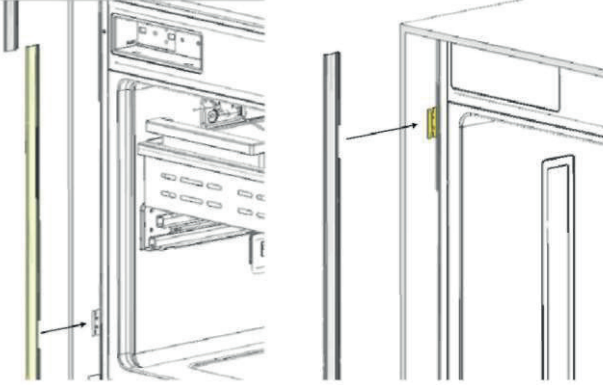
أبعاد لوحة الأثاث المخصصة لحجرة التجميد

MBI453MaxPro

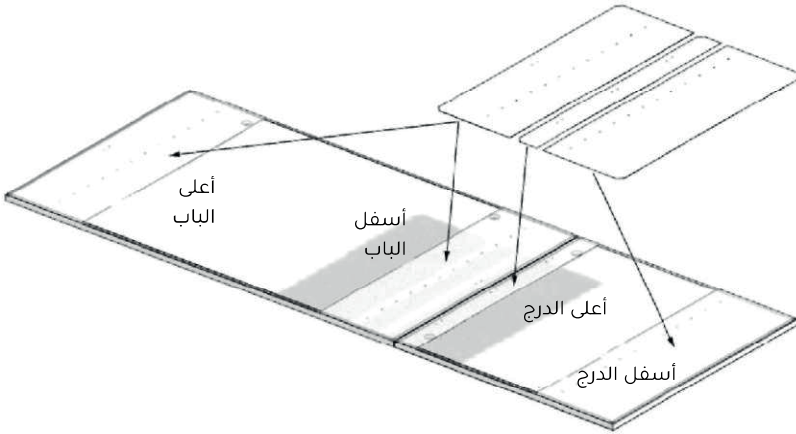


تركيب شرائط العزل وألواح الأثاث

1. ثبّت شرائط العزل على الجانبين وأعلى الثلاجة. يجب أن تتطابق الفجوات المخصصة لشرائط العزل مع موضع المشابك.

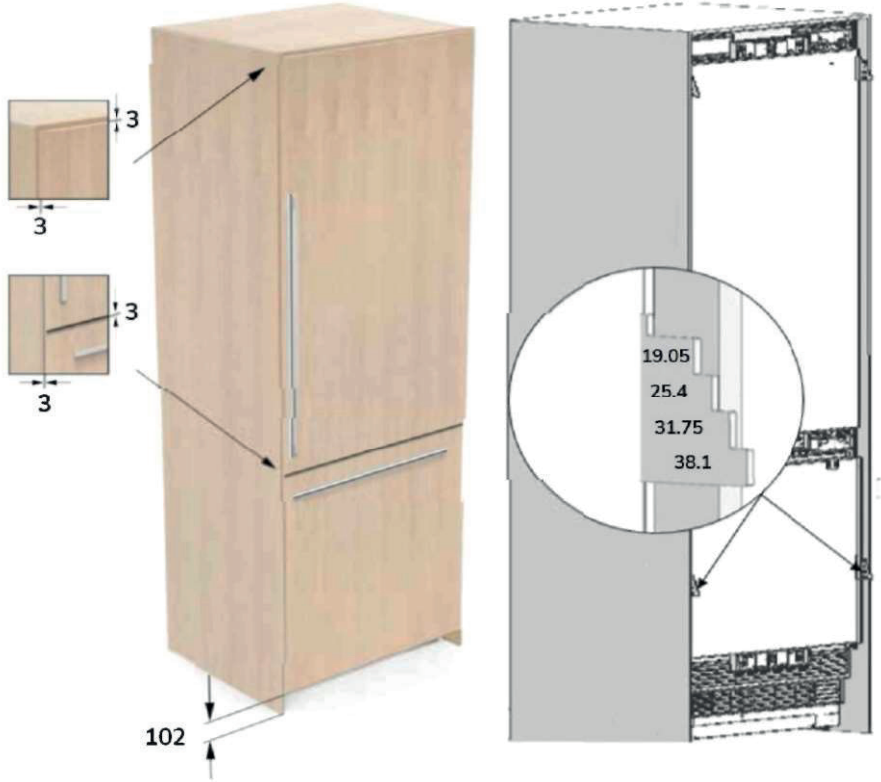


2. باستخدام النودج المدرج ضمن مجموعة الثلاجة، وضع علامات على ألواح الأثاث التي سيتم تركيبها على الجزء الأمامي من الثلاجة.



⚠ انتباه

يبلغ الحد الأقصى لوزن لوحة حجرة التبريد - 16.2 كجم، ولوحة حجرة التجميد - 9 كجم.



6. ثبت الثلاجة بمكان تركيبها باستخدام البراغي $M4 \times 12$ مم. في حالة تعذر تركيب البراغي في الفتحات الموجودة في حجرة التبريد في الثلاجة، فيمكنك توسيعها بحذر باستخدام المثقاب.
7. أعد تركيب شبكات التهوية في قاعدة الثلاجة. إذا احتجت لتثبيت قاعدة زخرفية، فيمكنك تحريك الشبكة السفلية للأمام أو للخلف قليلاً.



يُسمح بإزاحة لا تزيد عن **23 مم** من الموضع القياسي. يجب ألا تتداخل الأرضية مع الشبكة.

3. قم بوضع مشابك التثبيت (2 في الأعلى و3 و

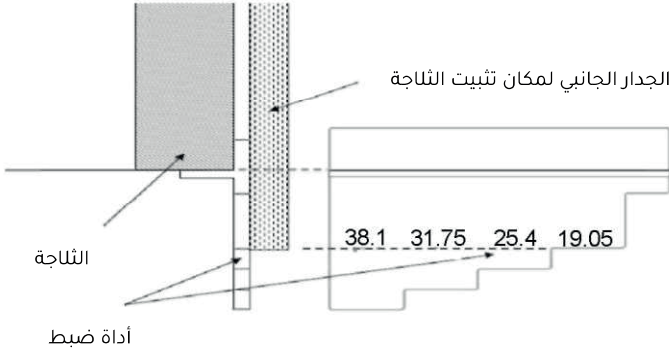
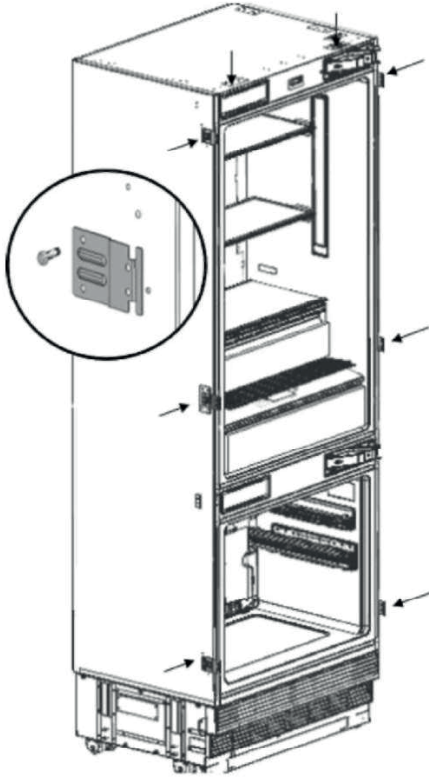
على كل من الجدارين الأيسر والأيمن) ومن ثم
ثبتها بالبراغي M4 × 14 مم.

4. ادفع الثلاجة بحذر إلى مكان تركيبها. إذا شعرت
بمقاومة، فتتحقق من أرجل الثلاجة بحثًا عن
ارتخاء بها و من ثم شدّهما.

5. ضع اللوحة الأمامية لـحجرة التجميد مؤقتًا
بمكانها و قم بمحاذاة موضع الثلاجة في مكان
تثبيتها:

- بالنسبة للطرازات التي لا تتوفر فيها لوحات
زخرفية، يجب أن تتم محاذاة الجزء الأمامي مع
حواف مكان تثبيت الثلاجة.

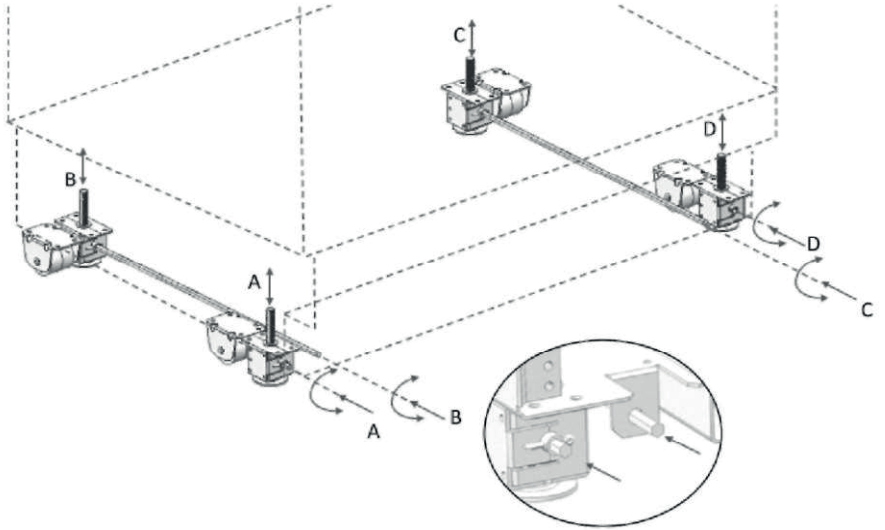
- في حالة تركيب ألواح زخرفية على الثلاجة،
فاستخدم أداة الضبط المضمنة في مجموعة
الثلاجة: فهي ستساعد في محاذاة الثلاجة
وفقًا لسماكة الألواح.



ضبط ارتفاع أرجل الثلاجة

يمكن تعديل ارتفاع الأرجل في حدود **97-137 مم**. اضبط أرجل الثلاجة باستخدام مفك براغي وريشة مفك مقاس **¼ بوصة**:

1. ارفع الجزء الأمامي من الثلاجة لمنعها من السقوط أثناء الضبط.
2. لزيادة ارتفاع أرجل الثلاجة، أدر عناصر التثبيت في اتجاه عقارب الساعة، أما لخفض الارتفاع فأدرها بعكس اتجاه عقارب الساعة.



3. بعد الانتهاء من عملية ضبط ارتفاع أرجل الثلاجة تأكد من ثباتها.

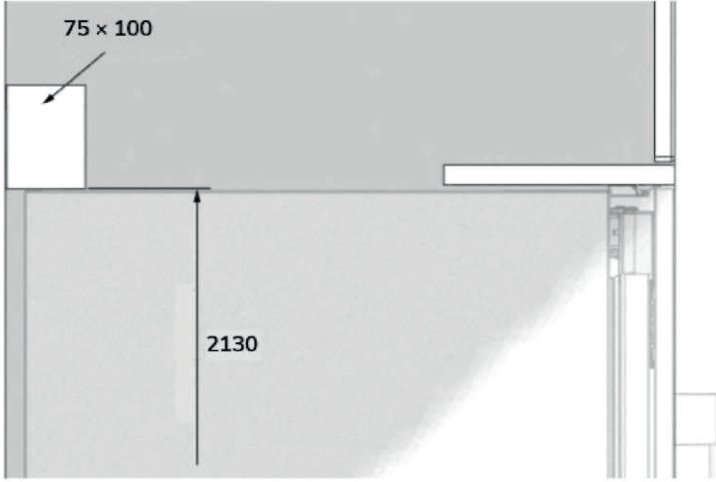
التركيب

1. لتجنب إتلاف كابل الطاقة أثناء التركيب، يمكنك تعليقه على خطاف أو حبل.
2. قم بتوصيل الثلاجة بمنفذ الطاقة لتشغيل الإضاءة الخلفية والتحقق بهذا الشكل من توصيل الطاقة.

إذا لم تكن متأكدًا من أن التثبيت آمن بدرجة كافية، فاستخدم طريقة التثبيت التالية.

التثبيت باستخدام العوارض

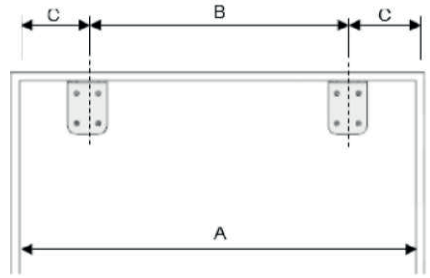
- يجب أن تلتصق العوارض بشكل وثيق بالثلاجة، ولكن يجب ألا يتجاوز عرض سطح التلامس **50.8 مم**.
- الحد الأدنى لأبعاد للعارضة: **100 × 75 مم**. يعتمد ارتفاع العارضة على المسافة بين الجزء العلوي من الثلاجة والجزء العلوي من مكان تركيبها.



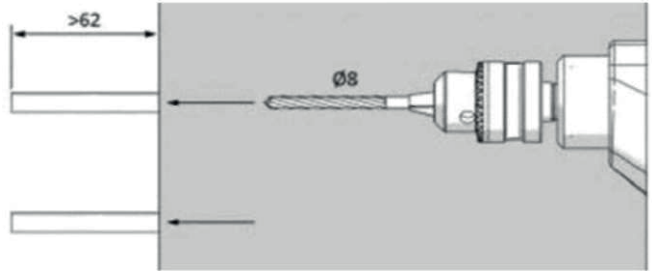
1. اختر البراغي المناسبة لتثبيت العوارض.
2. ضع علامات للعوارض على الحائط.
3. ثبت العوارض بالبراغي.

3. استخدم شريط قياس لوضع علامات لمشابك التثبيت على الحائط (انظر الرسم التوضيحي والجدول أدناه).

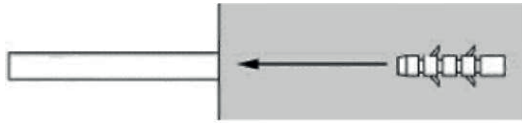
المسافة، مم	MBI 453 Max Pro	MBI 558 Max Pro	MBI 552FD Max Pro
A	762	914	914
B	600	600	600
C	81	157	157



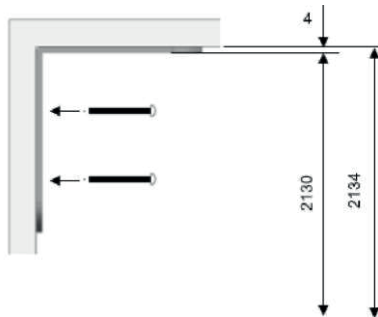
4. باستخدام مثقاب وريشة ثقب مقاس 8 مم، قم بعمل ثقب للمسامير حسب العلامات الموجودة في الخطوة 3.



5. استخدم مطرقة لتثبيت المسامير في الحائط.



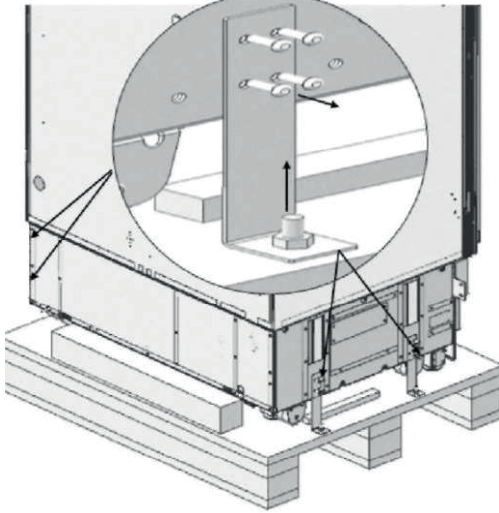
6. ثبت كل مشبك بالحائط باستخدام 4 براغي.





الثلاجة ثقيلة جدًا ولا يمكنك حملها وحدك دون مساعدة شخص آخر!

2. انزع مشبك التثبيت الموجود في قاعدة الثلاجة والتي تثبته على المنصة باستخدام مفك البراغي الكهربائي وريشة مفك متصالبة.



3. قم بإمالة الجهاز بحذر واستخدم عربة لنقله من منصة التحميل ووضعه على الأرض.

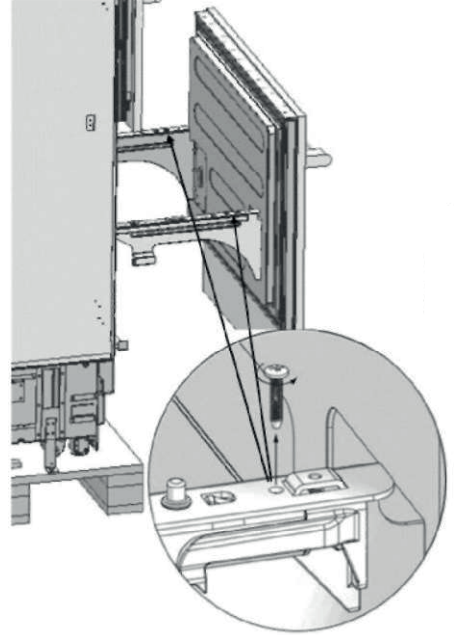
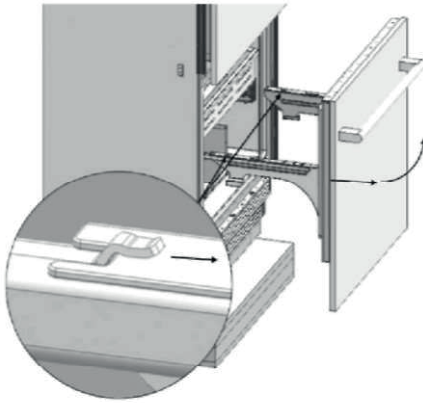
التركيب والتوصيل

يرجى اتباع التعليمات الواردة في هذا الدليل بدقة. ويوصى أيضًا بمراجعة لوائح الخدمة الفنية المحلية والوطنية.

تركيب مشابك التثبيت على الحائط

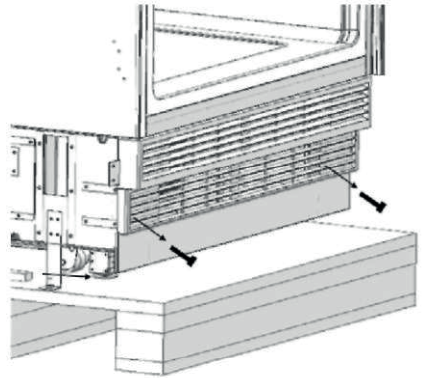
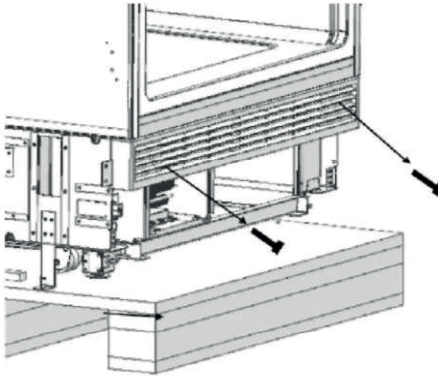
1. تأكد من عدم وجود أسلاك كهربائية في المنطقة التي تم تركيب مشابك التثبيت.
2. ارتد نظارات وقفازات واقية.

4. اسحب الدرج نحوك لإزالته من المزالج.



إعداد قاعدة الشلابة

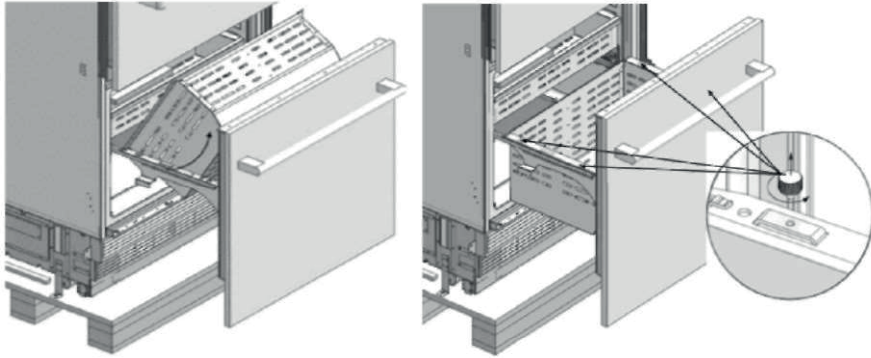
1. فك اثنين (2) من البراغي من شبكة التهوية السفلية أولاً ثم من شبكة التهوية العلوية لإزالتها، باستخدام مفك البراغي الكهربائي.



2	4	4	بلاستيك أكريلونتريل بوتادين ستايرين (ABS)	19	أغطية مشابك تثبيت مخصصة لموضع تركيب الشاجرة
4	8	8	م4 × 12 مم	20	براغي تثبيت لوحة الأثاث
2	4	4	T1.0، فولاذ مقاوم للصدأ	21	مشابك تثبيت لوحة الأثاث
4	8	8	م4 × 14 مم	22	براغي لمشابك تثبيت لوحة الأثاث
34	30	30	م4 × 14 مم	23	براغي تثبيت لوحة الأثاث
3	3	-	T1.0، فولاذ مقاوم للصدأ	24	مشابك تثبيت الجزء العلوي من درج حجرة التجميد

إخراج درج حجرة التجميد

1. فك البراغي الأربعة (4) المثبتة في الفتحات يدويًا كما هو موضح في الرسم التوضيحي.



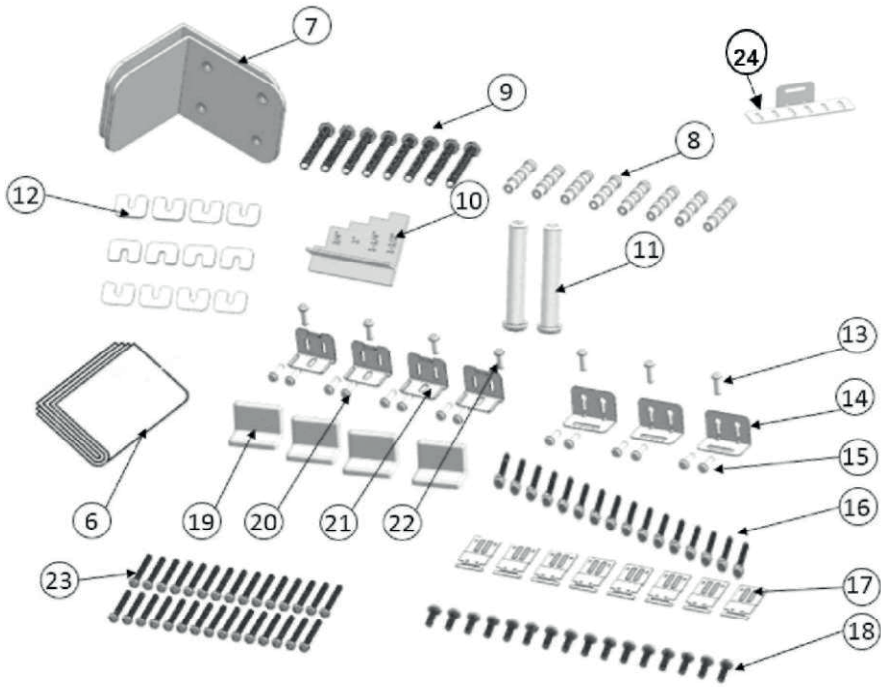
2. أخرج الصندوق المعدني الداخلي.

3. فك البرغيين (2) (انظر الرسم التوضيحي أدناه) اللذين يصلان القضبان باللوحة الأمامية

باستخدام مفك البراغي الكهربائي.

الكمية			الخصائص	النوع	الرقم
MBI	MBI	MBI			
552FD	558	453			
Max Pro	Max Pro	Max Pro			
1	1	1	-	نموذج لتركيب ألواح الأثاث	6
2	2	2	T4.0، طلاء من الزنك	مشابك تثبيت	7
8	8	8	-	مسامير	8
8	8	8	M8 × 60 مم	مسامير القوس	9
1	1	1	بولي ستايرين	أداة ضبط	10
-	2	2	فولاذ مقاوم للصدأ فولاذ	عناصر تثبيت الباب	11
9	9	9	بلاستيك أكريلونتريل بوتادين ستايرين (ABS)	صفائح عازلة مخصصة لدرج حجرة التجميد	12
3	3	3	M4.8 × 16 مم	براغي علوية لدرج حجرة التجميد	13
-	-	3	T1.0، فولاذ مقاوم للصدأ	مشابك تثبيت الجزء العلوي من درج حجرة التجميد	14
18	18	6	M4 × 12 مم	براغي علوية لدرج حجرة التجميد	15
16	16	16	M4 × 12 مم	براغي مشابك تثبيت مخصصة لموضع تركيب الثلاجة	16
8	8	8	T1.0، طلاء من الزنك	مشابك تثبيت مخصصة لموضع تركيب الثلاجة	17
16	16	16	M4 × 14 مم	براغي مشابك تثبيت مخصصة لموضع تركيب الثلاجة	18

4. أخرج مجموعة التثبيت من حجرة التجميد وتأكد من اكتمالها وسلامتها:



الكمية			الخصائص	النوع	الرقم
MBI552FD MaxPro	MBI558 MaxPro	MBI453 MaxPro			
2	2	2	بولي كلوريد الفينيل، الطول 617 مم	غطاء جانبي مخصص لحجرة التبريد	1
2	2	2	بولي كلوريد الفينيل، الطول 259 مم		
4	2	2	بولي كلوريد الفينيل، الطول 1136 مم	غطاء جانبي مخصص لباب حجرة التبريد	2
2	2	2	بولي كلوريد الفينيل، الطول 556 مم	غطاء جانبي مخصص لدُرج حجرة التجميد	3
1	1	1	بولي كلوريد الفينيل، الطول 762 مم بولي كلوريد الفينيل، الطول 914 مم	غطاء للجزء العلوي من الثلاجة	4
1	1	1	بلاستيك أكريلونتريل بوتادين ستايرين (ABS)	غطاء للجزء العلوي من دُرج حجرة التجميد	5

التحضير لعملية التركيب

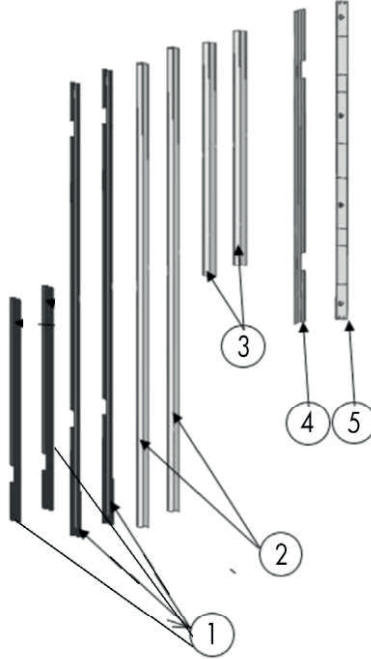
الإخراج من علبة التغليف

1. قص علبة التغليف على طول الخط المنقط بسكين قرطاسية.
2. انزع علبة التغليف وعوازل التعبئة.



تحذير

- للحفاظ على سلامتك، مینع إزالة الشريط الواقي من الباب العلوي للثلاجة حتى تقوم بتثبيت الثلاجة في المكان المخصص لها.
3. انزع شرائط العزل المثبتة على الجدار الخلفي للثلاجة وتأكد من اكتمالها وسلامتها:



المتطلبات الخاصة بالأثاث

- يجب أن تكون الخزانة التي سيتم تركيب الثلاجة فيها ثابتة على الأرض.
- يجب أن تكون جدران الخزانة التي سيتم تركيب الثلاجة فيها مستوية **ولا يقل سمكها عن 16 مم**. استخدم مستوى لضبط التوازن.
- الحد الأدنى لسمك لوحة الأثاث الزخرفية التي سيتم تركيبها على أبواب الثلاجة هو **19 مم**.
- من الضروري ترك فجوات حول الثلاجة للتهوية.
- أبعاد منافذ تركيب الثلاجة محددة في الجدول أدناه. يعتمد ارتفاع الثلاجة على مقدار ضبط الأرجل، والطول القياسي هو 2134 مم.

الطرز	MBI453MaxPro	MBI558MaxPro	MBI552FDMaxPro
الارتفاع	1269-2129 مم	1269-2129 مم	1269-2129 مم
العرض	762 مم	914 مم	914 مم
العمق	635 مم	635 مم	635 مم

- إذا كان منفذ الطاقة الكهربائية موجودين إلى جانب الثلاجة، فقم بعمل ثقوب في جدران مكان تثبيت الثلاجة بارتفاع **203.2 مم** وعرض **50.8 مم** لخر كابل الطاقة.

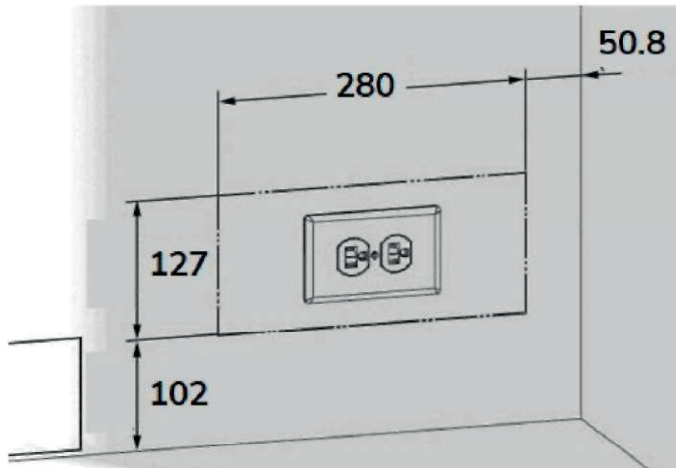
قائمة الأدوات اللازمة لعملية التركيب والتوصيل

- | | |
|---------------------------------------|---|
| <input type="checkbox"/> مطرقة | <input type="checkbox"/> مثقاب يعمل بالبطارية/مفط براغي كهربائي |
| <input type="checkbox"/> مستوى | <input type="checkbox"/> ريشة مفك متصالبة |
| <input type="checkbox"/> شريط قياس | <input type="checkbox"/> ريشة ثقب بقطر 8 مم |
| <input type="checkbox"/> سكين قرطاسية | <input type="checkbox"/> ريشة مفك T27 |
| <input type="checkbox"/> قفازات واقية | <input type="checkbox"/> ريشة مفك T25 |
| <input type="checkbox"/> نظارات واقية | <input type="checkbox"/> ريشة مفك مقاس ¼ بوصة |
| <input type="checkbox"/> سُلّم | <input type="checkbox"/> مفتاح ربط مقاس ½ بوصة |
| <input type="checkbox"/> عربة | <input type="checkbox"/> ريشة ثقب بقطر 2.4 مم |

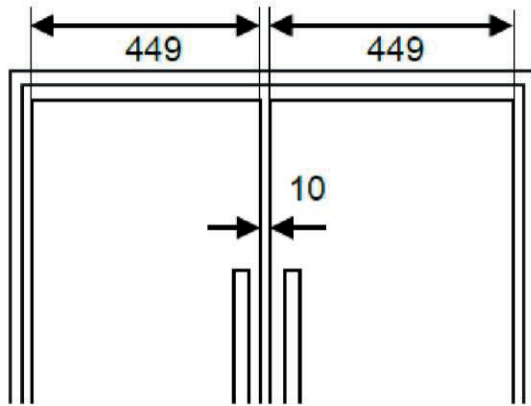
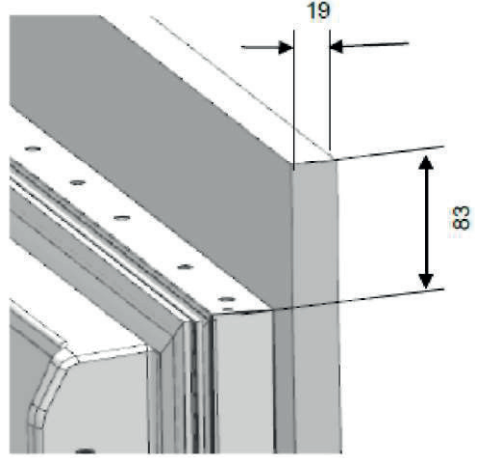
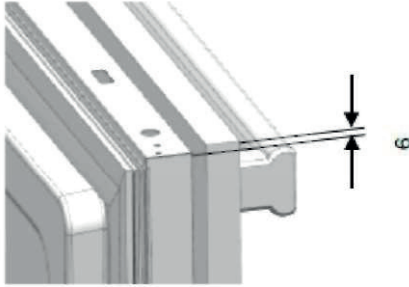
- يمنع تركيب الثلاجة على منصة أو على أي أماكن أخرى مرتفعة. ويجب أن تكون قائمة على الأرض.
- يمنع وضع عدة ثلاجات على مقربة من بعضها البعض أو بالقرب من مصادر الحرارة مثل الأفران أو السخانات. الحد الأدنى للمسافة الآمنة عن مصادر الحرارة الكهربائية هو **3 سم**. ومن مصادر حرارة الغاز (الوقود) - **30 سم**.
- يجب أن تبقى درجة حرارة الغرفة في حدود **13-43 درجة مئوية**.
- يجب أن تكون الغرفة جافة ونظيفة دائماً.
- يمنع حدوث أي تماس بين سلك الطاقة الكهربائية بالجدار الخلفي للثلاجة.
- إذا كان منفذ الطاقة الكهربائية موجوداً خلف الثلاجة، فاترك مسافة كافية بينهما لتجنب الضغط على سلك الطاقة الكهربائية.
- بعد الانتهاء من عملية التثبيت، يجب أن فتح باب الثلاجة **بزاوية 90 درجة** على الأقل.

المتطلبات الخاصة بشبكة الطاقة الكهربائية

- جهد التيار الكهربائي - **220-240 فولت**، التردد - **50-60 هرتز**.
- قم بتوصيل الثلاجة بمنفذ طاقة مؤرض.
- يمنع استخدام المحولات أو أسلاك التمديد.
- يظهر الموضع الصحيح لمنفذ الطاقة في المخطط أدناه.



تجميع وتركيب درج حجرة التجميد مع لوحة الأثاث



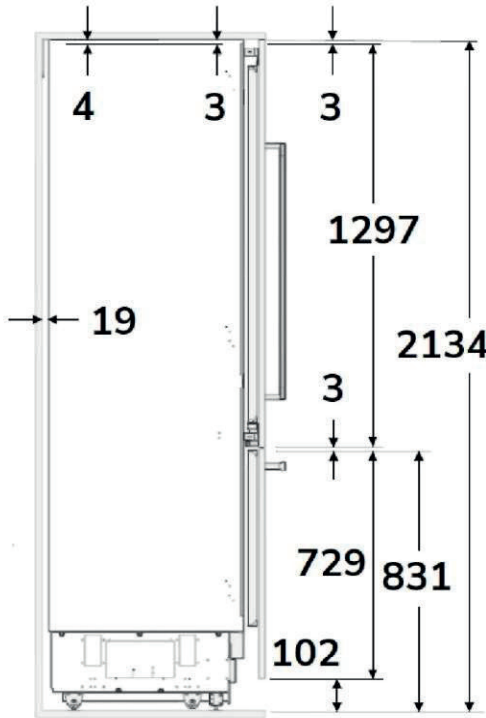
أبواب حجرة التجميد للثلاجة من الطراز MBI552FDMaxPro

متطلبات موقع التثبيت

- يمنع تثبيت الثلاجة في الهواء الطلق.
- يجب أن تتحمل الأرضية الموجودة أسفل الجهاز حمولة **لا تقل عن 544 كجم** وأن تكون مستوية. واستخدم المستوى عند التثبيت.

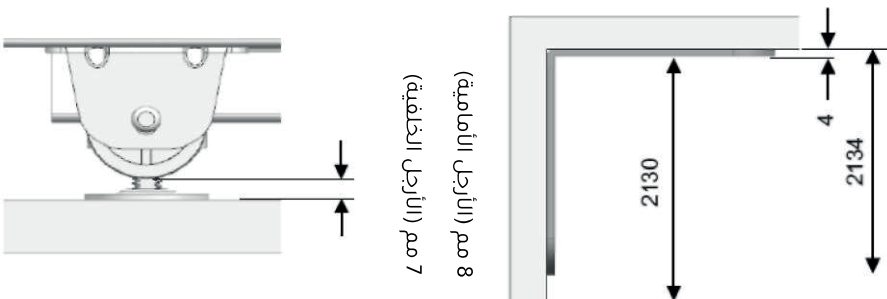
رسم تخطيطي للشحاجة في الموقع المخصص لتثبيتها

تحدد قيمة قياسية للارتفاع. ويمكن تغييرها عن طريق ضبط أرجل الشحاجة. في هذا القسم والأقسام اللاحقة يشار إلى الأبعاد في المليمتر. وتكون الأبعاد في المخططات والرسومات تصميمية فقط وقد تختلف عن الأبعاد الفعلية.



الحد الأدنى لضبط ارتفاع أرجل الشحاجة

موضع مشابك التثبيت



إرشادات التركيب والتوصيل

يجب أن يقوم بعملية التركيب والتوصيل متخصص مؤهل. ستكون هناك حاجة لاستخدام نظارات وقفازات واقية لتنفيذ هذا العمل.



يحتوي نظام التبريد في الجهاز على مادة التبريد R600a، والتي قد تشتعل في حالة التعامل الخاطئ مع الشلّاجة. ثبت الشلّاجة في وضع عمودي وانتظر لمدة **4-6 ساعات على الأقل** قبل توصيلها بمنفذ الطاقة الكهربائية. ويعتبر هذا الأمر مهمًا بشكل خاص في حالة جرى نقل الجهاز بشكل أفقي.

اقرأ التعليمات بعناية قبل البدء بعملية التركيب.

- أن يكون مكان التثبيت ذو أبعاد مناسبة.
- سيتم الحفاظ على التجاوب المخصصة للتهوية حول الشلّاجة.
- يجب أن تتوافق معلمات الشبكة الكهربائية مع تلك المحددة في هذا الدليل.
- أثناء التركيب والتشغيل، سيكون من الممكن دائمًا قطع إمداد الجهاز بالكهرباء بسرعة في حالات الطوارئ.
- المنفذ الذي تتصل به الشلّاجة مؤرض بشكل صحيح.

أبعاد الشلّاجات

الطرز	MBI453MaxPro	MBI558MaxPro	MBI552FDMaxPro
الارتفاع	2121 مم	2123 مم	2123 مم
العرض	756 مم	908 مم	908 مم
العمق عندما تكون الشلّاجة مغلقة	609 مم	592 مم	592 مم
العمق عندما يكون دُرج الشلّاجة مفتوحًا	997 مم	980 مم	980 مم
العمق عندما يكون باب الشلّاجة مفتوحًا	1398 مم	1550 مم	1067.6 مم

202	إرشادات التركيب والتوصيل
197	التحضير لعملية التركيب
191	التركيب والتوصيل
169	تغيير جهة فتح الباب



دليل المستخدم

MBI453MaxPro | MBI558MaxPro | MBI552FDMaxPro

AR ثلاجة



Made in China