

TANGO NEO

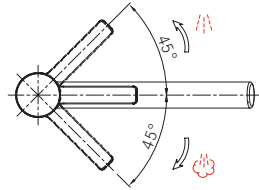
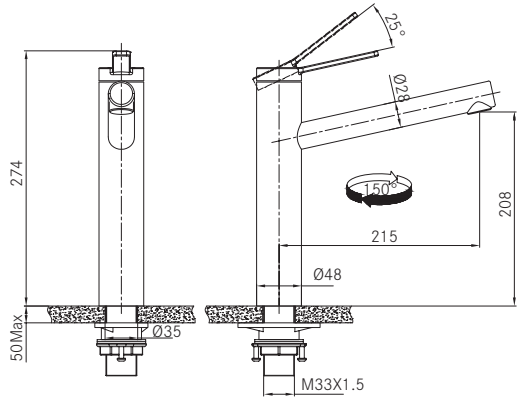
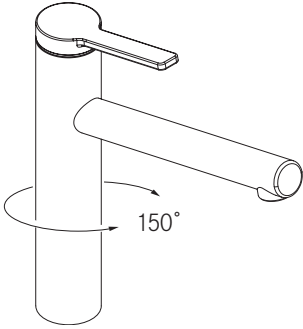
EN Installation and service manual

Kitchen Taps



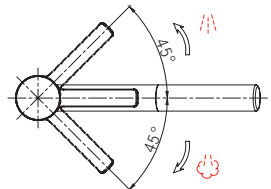
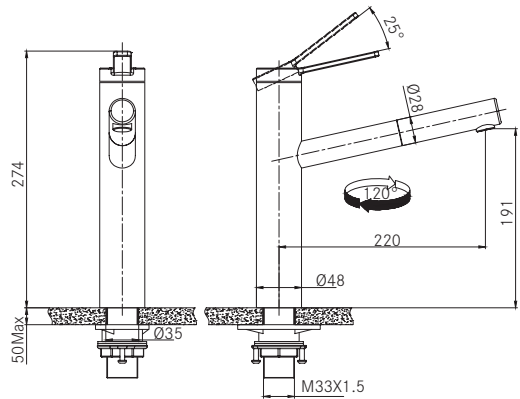
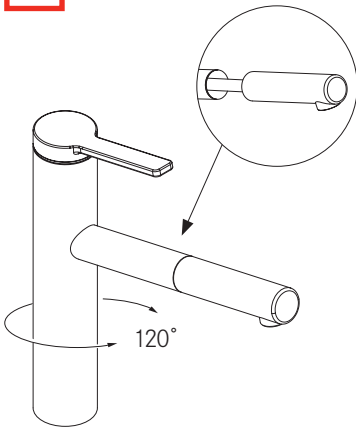
A

Tap Tango Neo Swivel Top HP SS

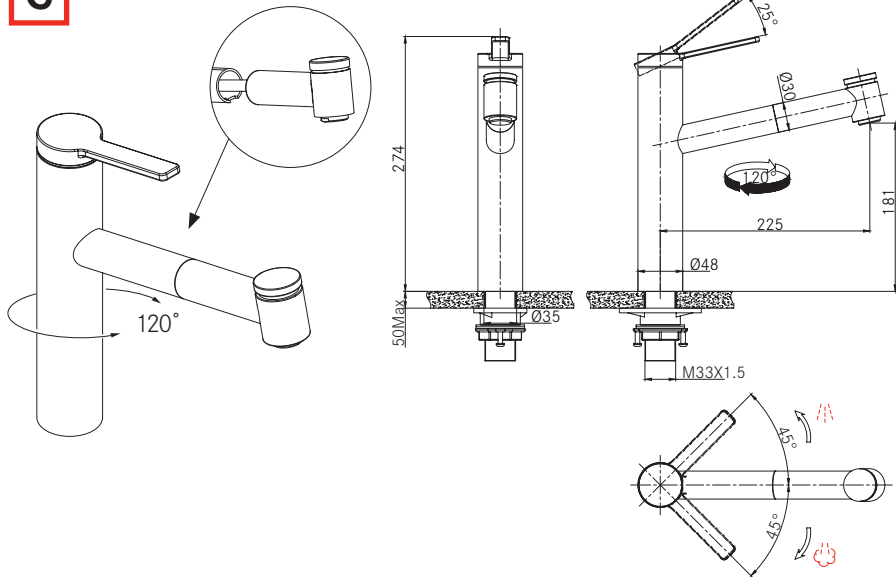


B

Tap Tango Neo Pull Out Nozzle Top HP SS

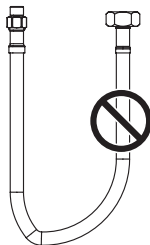
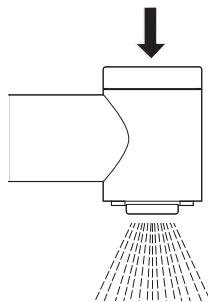
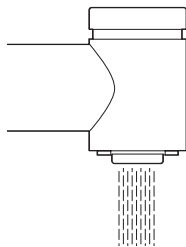


C Tap Tango Neo Pull Out Spray Top HP SS



i

C

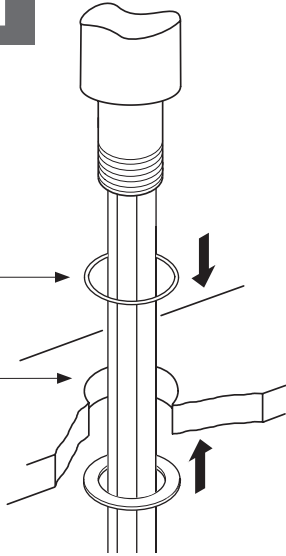




1



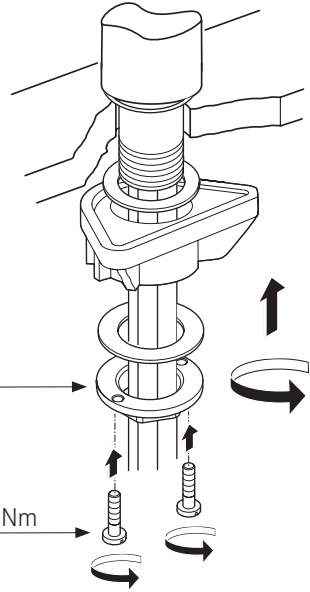
ø35 mm



2



7 Nm



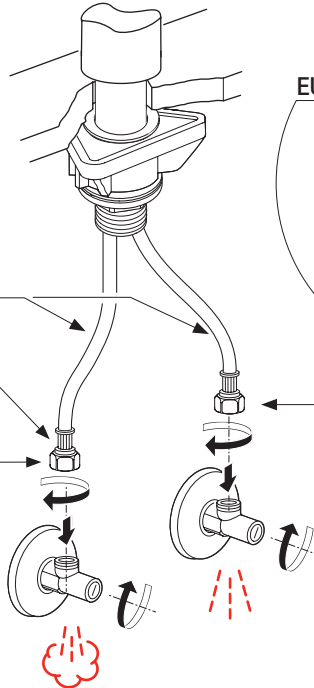
3

A

$R_{max} \geq 50 mm$



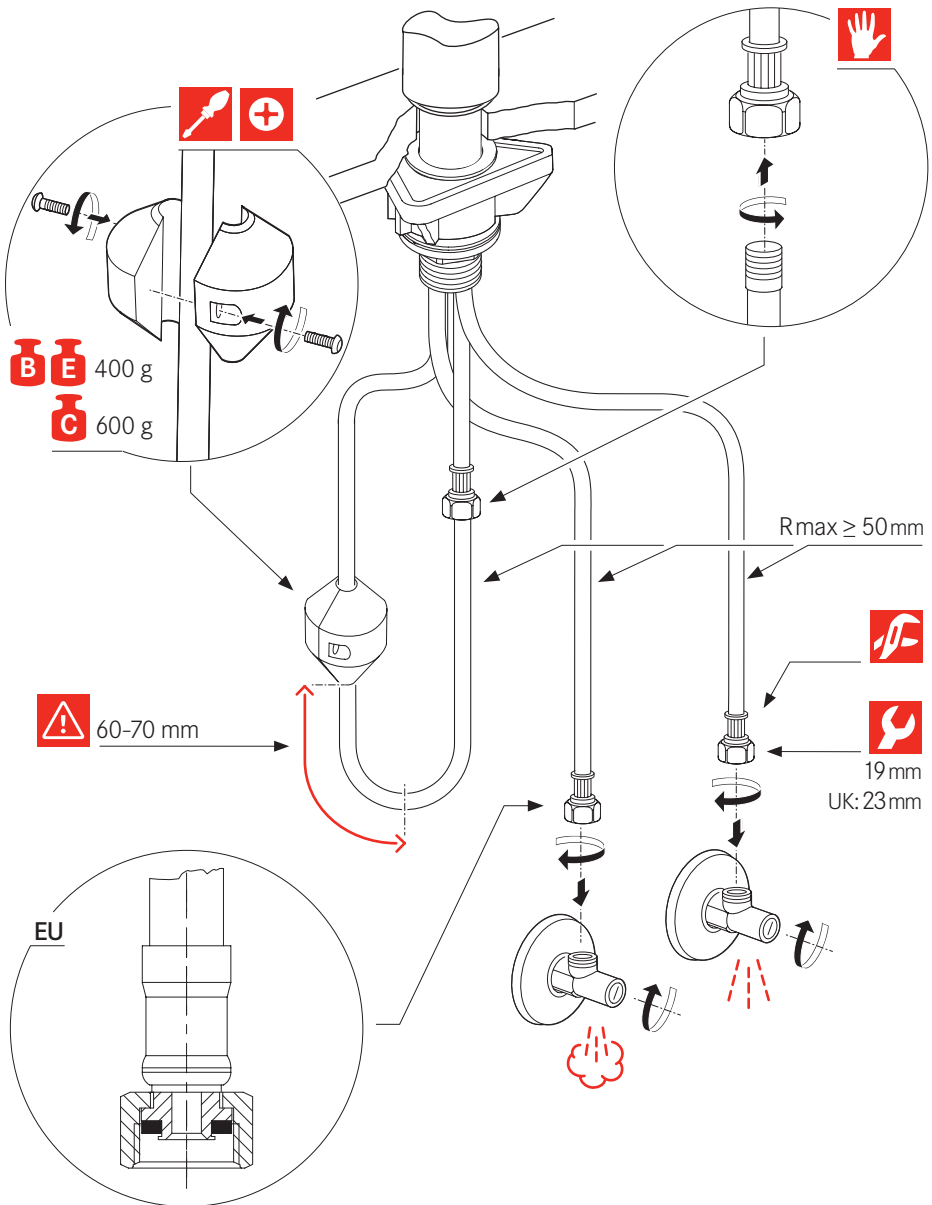
19 mm
UK: 23 mm



3

B

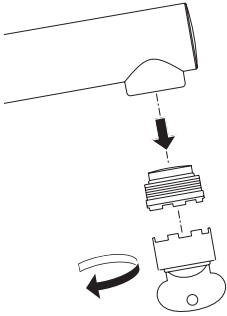
C



4

A

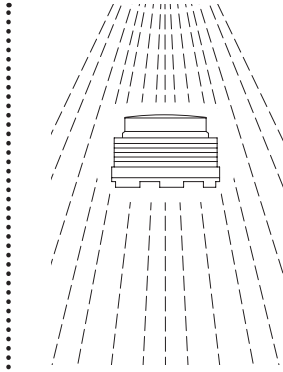
B



5

A

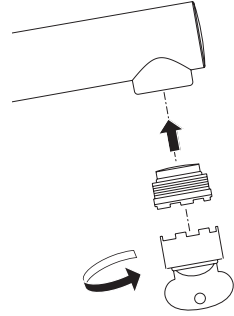
B



6

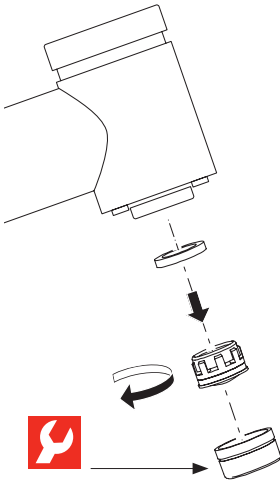
A

B



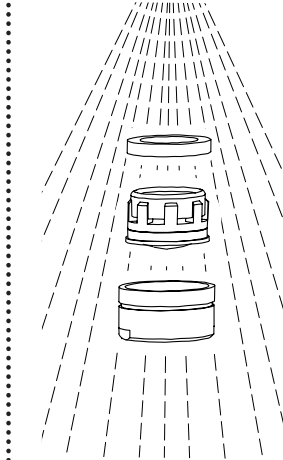
4

C



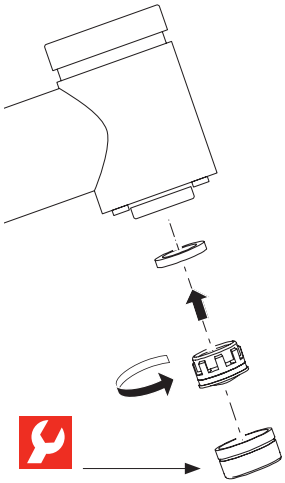
5

C



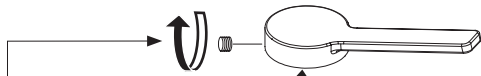
6

C





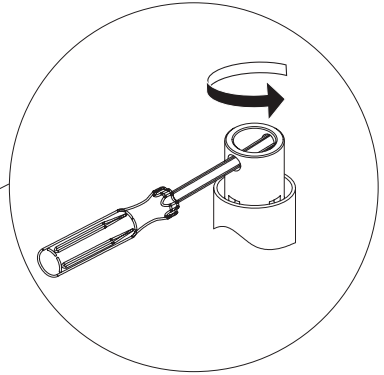
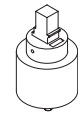
A



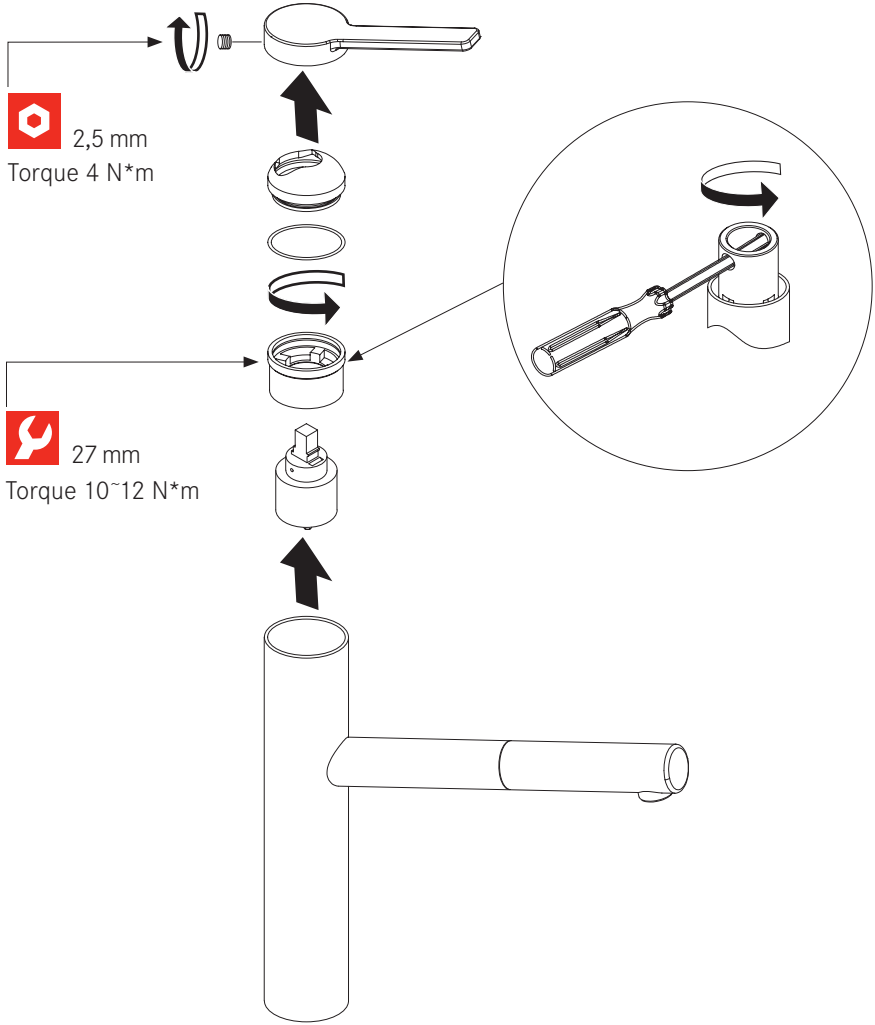
2,5 mm
Torque 4 N*m



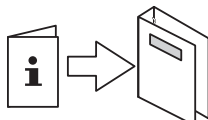
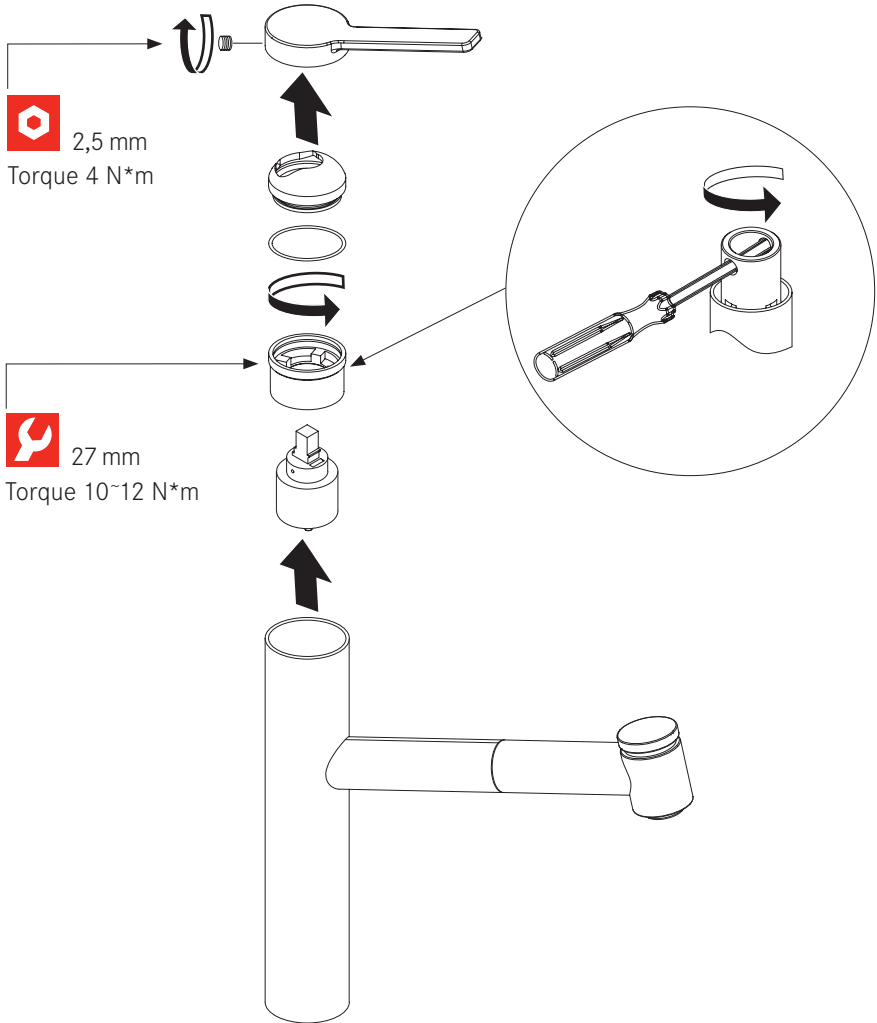
27 mm
Torque 10~12 N*m



B



C



www.franke.com



Periodic checks

- ▶ Check connection and shower hoses periodically for the following:
 - Watertightness
 - Corrosion
 - Mechanical damage
- ▶ Use original spare parts only.
- ▶ Replace damp or dripping hoses.
- ▶ Replace hoses with rusty or oxidized surfaces.
- ▶ Replace hoses that show signs of mechanical damage.



- ▶ Flush all pipes thoroughly before installation.

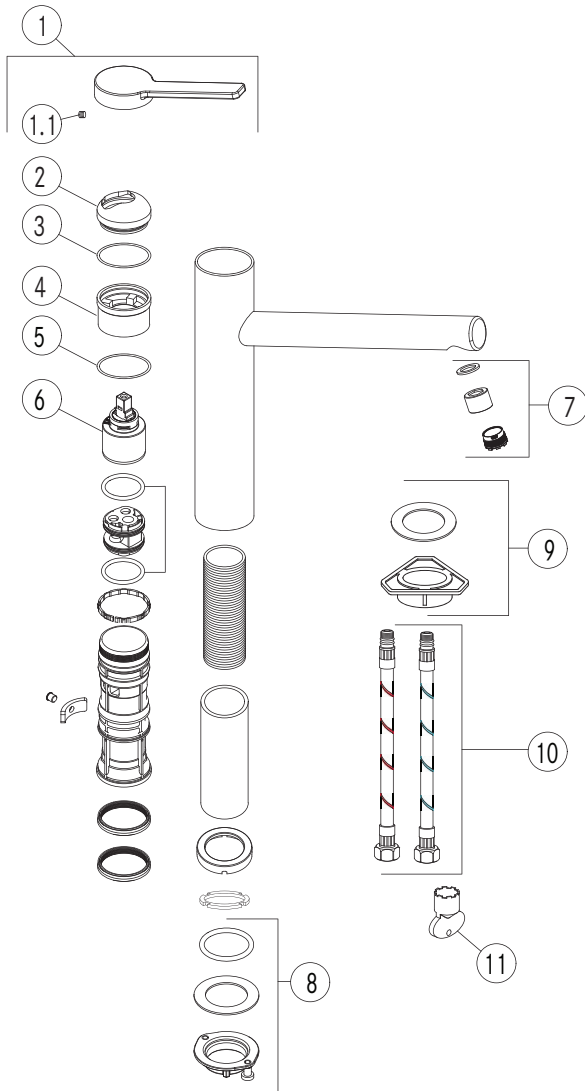
Operating data	Value		
Operating pressure (ideal)	3 bar	45 PSI	300 kPa
Operating pressure (max.)*	5 bar	70 PSI	500 kPa
Operating pressure (min.)*	1 bar	14.5 PSI	100 kPa
Water temperature (ideal)	60°C	140°F	
Water temperature (max.)	70°C	158°F	

* Equal pressure is recommended.

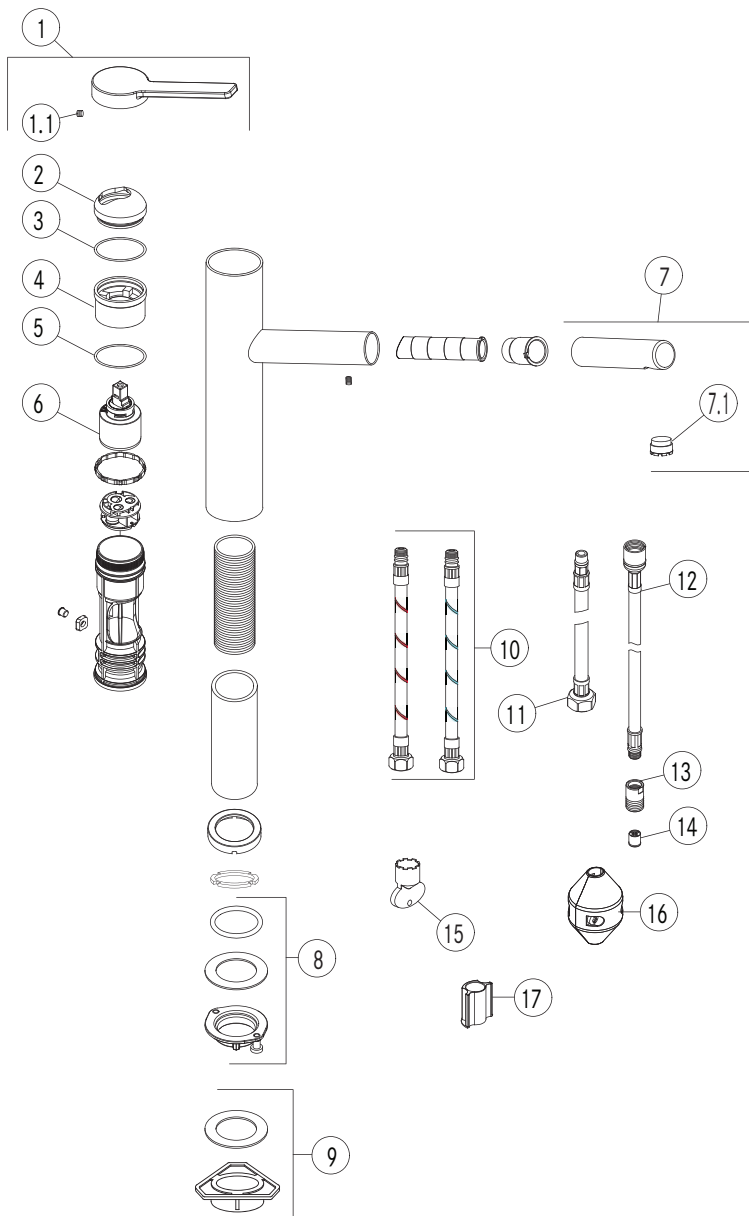


A

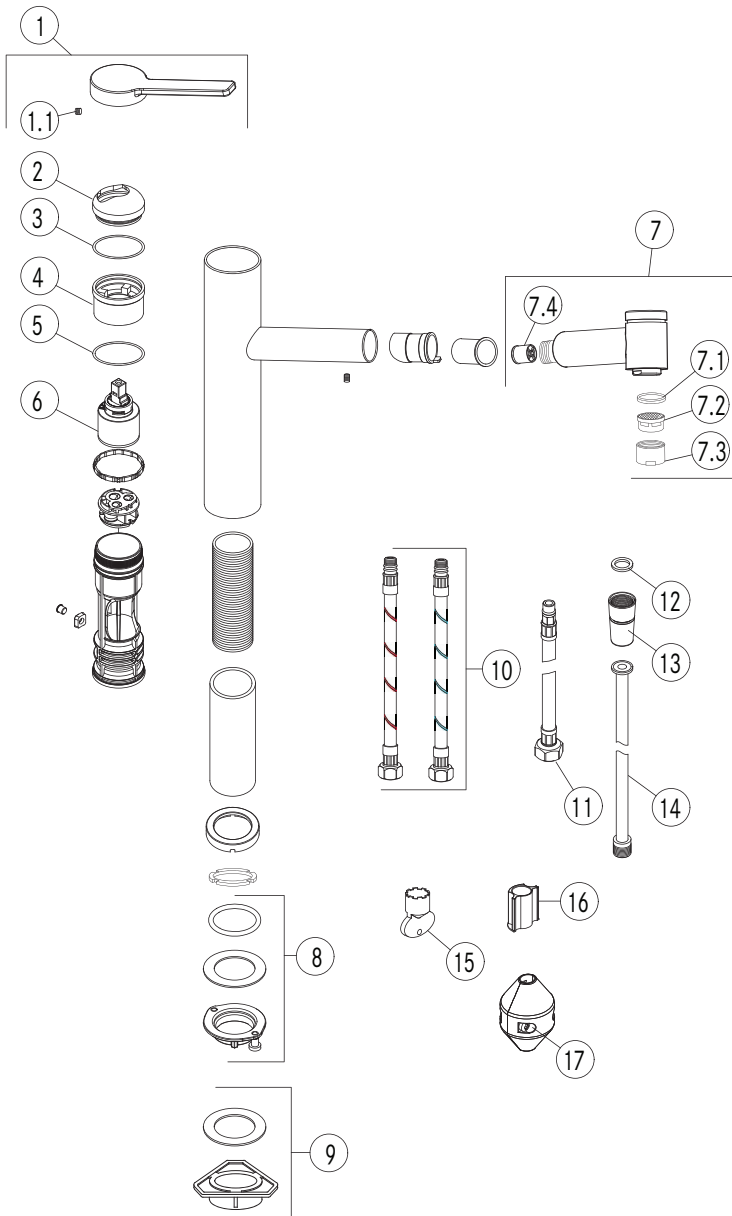
Tap Tango Neo Swivel Top HP SS



B Tap Tango Neo Pull Out Nozzle Top HP SS



C Tap Tango Neo Pull Out Spray Top HP SS



www.franke.com

United Kingdom

Franke UK Ltd.

Manchester M22 5WB

Phone +44 161 436 6280

