

FR PRESCRIPTIONS DE MONTAGE ET MODE D'EMPLOI  
CS NÁVOD NA MONTÁŽ A POUŽIVÁNÍ  
DE MONTAGE- UND GEBRAUCHSANWEISUNG  
EL ΟΔΗΓΙΕΣ ΣΥΝΑΡΜΟΛΟΓΗΣΗΣ ΚΑΙ ΧΡΗΣΗΣ  
EN INSTRUCTION ON MOUNTING AND USE  
ES MONTAJE Y MODO DE EMPLEO

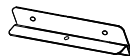
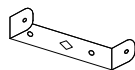
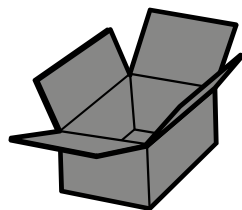
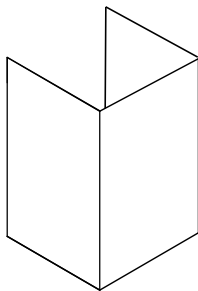
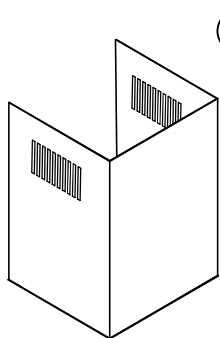
Hotte aspirante  
Digestor  
Dunstabzugshaube  
Αποροφητήρας  
Cooker Hood  
Campana extractora

DHB2654X : DHB2954X

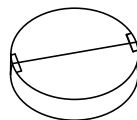
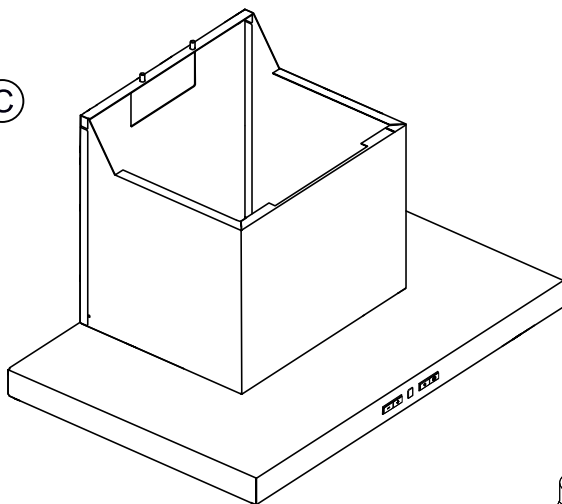
**De Dietrich** 



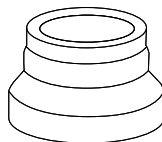




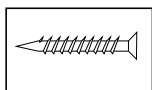
(C)



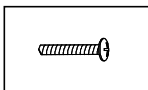
(D)



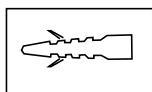
(E)



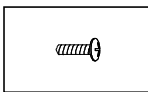
x4 (4,5 x 50)



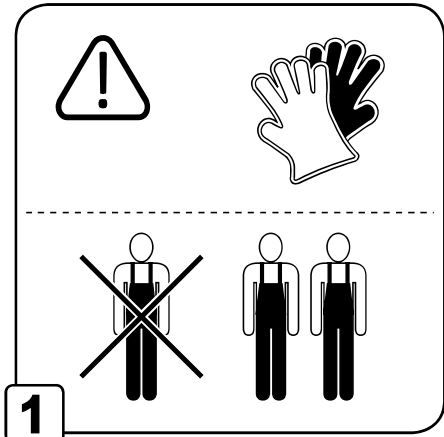
x3 (M4/16)



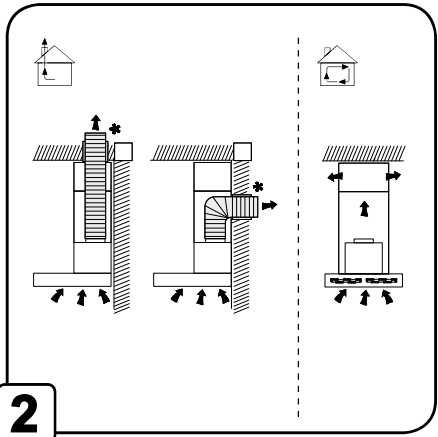
x4 (Ø8)



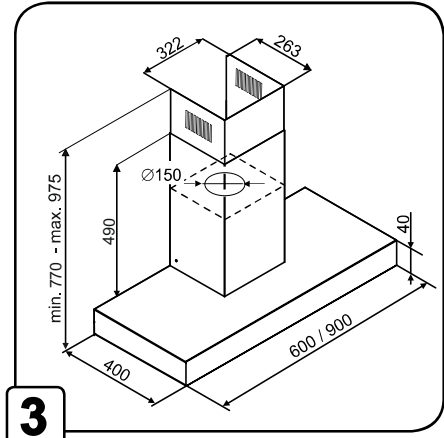
x4 (3,9 x 9,5)



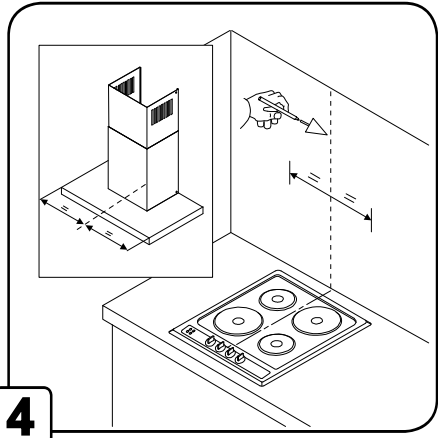
**1**



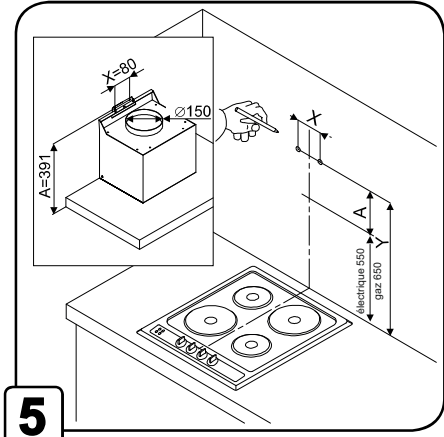
**2**



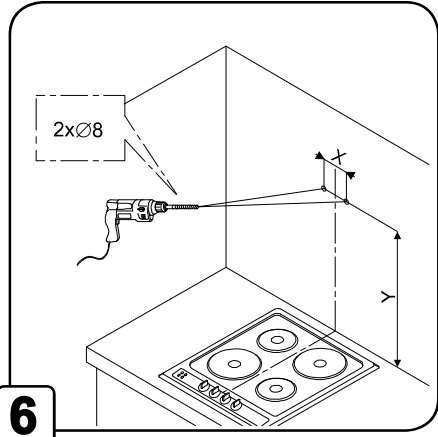
**3**



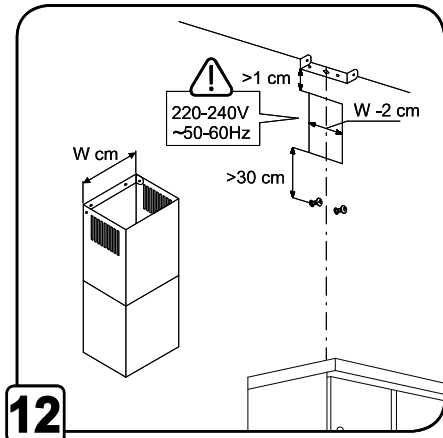
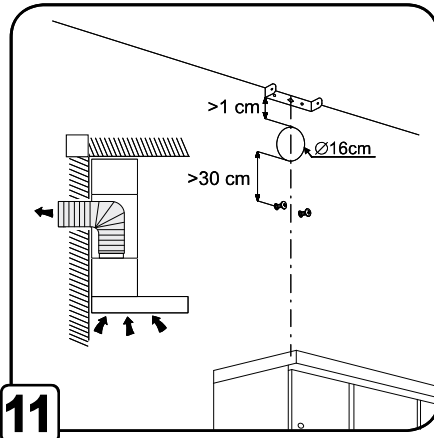
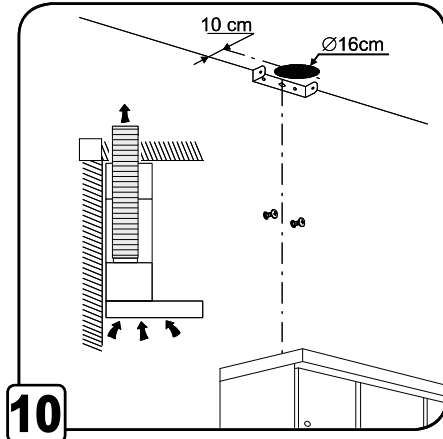
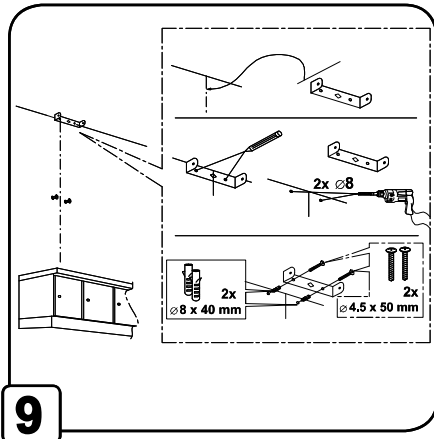
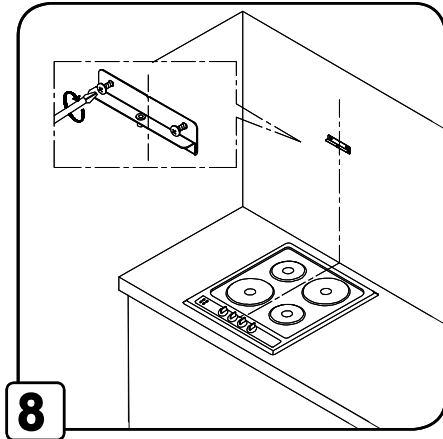
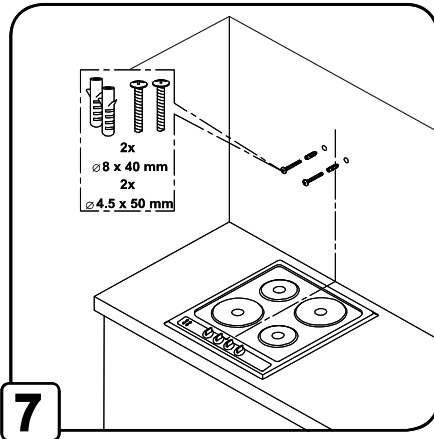
**4**

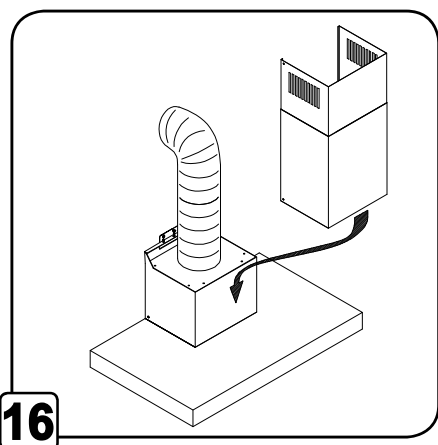
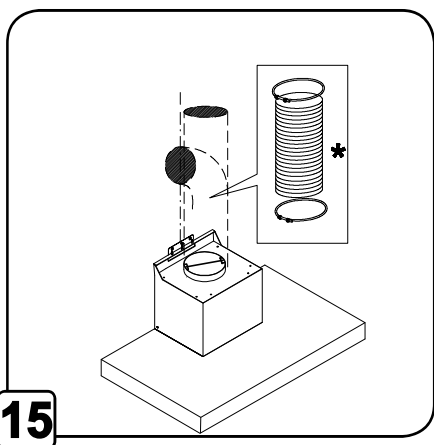
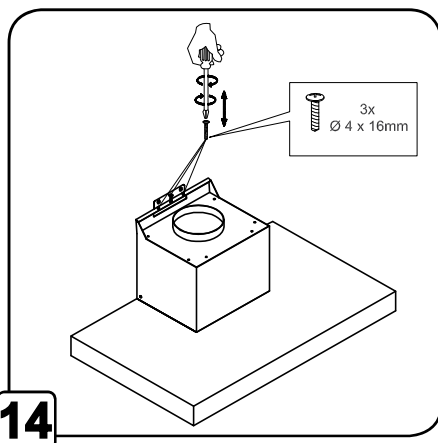
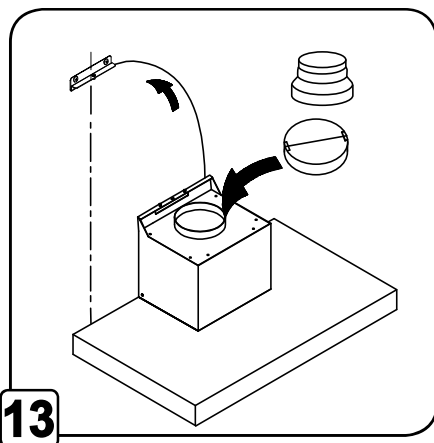


**5**

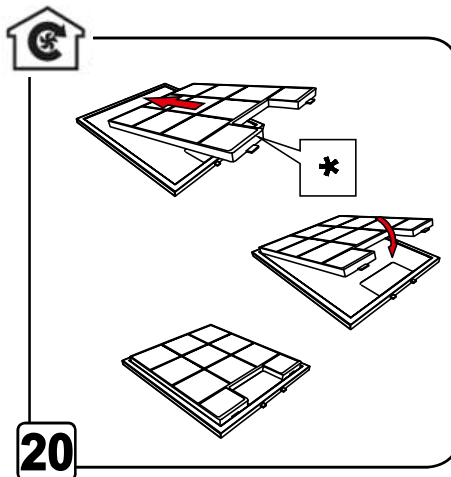
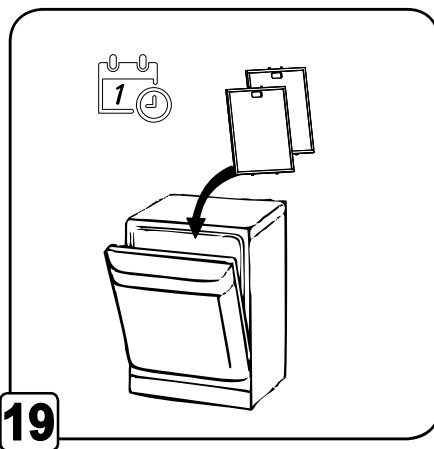
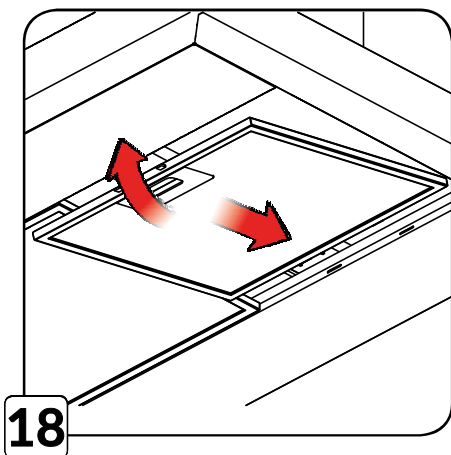
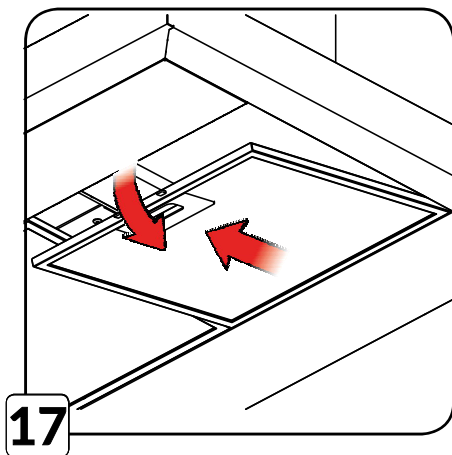


**6**





Si vous souhaitez installer votre hotte en recirculation, vous devez vous procurer un kit supplémentaire. Veuillez-voir directement avec votre revendeur ou contacter notre service après-vente qui vous guidera.



**\* Attention:** les éléments marqués par le symbole (\*) sont soit des accessoires optionnels fournis uniquement avec certains modèles, soit des éléments à acheter qui ne sont pas fournis.

*Dear valued customer,*

*To discover a De Dietrich product is to experience the range of unique emotions which only high-value items can produce.*

*The attraction is immediate, from the moment you set eyes on the product. The sheer quality of the design shines through thanks to the timeless style and outstanding finishes which make each appliance an elegant and refined little masterpiece in its own right, each in perfect harmony with the others.*

*Next, comes the irresistible urge to touch it. De Dietrich's design makes extensive use of robust and prestigious materials. The accent is placed firmly upon authenticity.*

*By combining state-of-the-art technology with top quality materials, De Dietrich produces beautifully crafted products to help you get the most from the culinary arts, a passion shared by all lovers of cooking and fine food.*

*We hope that you enjoy using this new appliance and we would love to receive your suggestions and to answer any questions you may have. Please feel free to contact our customer service department via our website.*

*To benefit from the many advantages offered by the brand, we recommend that you register your product at: [www.de-dietrich.com](http://www.de-dietrich.com).*

*Thank you for choosing a De Dietrich product.*

## **De Dietrich**

*As part of our commitment to constantly improving our products, we reserve the right to make changes to them based on advances to their technical, functional and/or aesthetic properties.*

### **Important:**

***Before installing and using your appliance, please read this Installation and Usage Guide carefully, as it will allow you to quickly familiarise yourself with its operation.***



## Contents

<b>Safety and important precautions</b> .....	<b>65</b>
<b>Instruction on mounting and use</b> .....	<b>68</b>
<b>Use</b> .....	<b>68</b>
<b>Installation</b> .....	<b>69</b>
Electrical connection.....	69
Mounting .....	69
<b>Operation</b> .....	<b>70</b>
<b>Maintenance</b> .....	<b>71</b>
Cleaning .....	71
Grease filter.....	71
Charcoal filter (filter version only).....	71
Replacing lamps.....	71
<b>Troubleshooting</b> .....	<b>72</b>
<b>After-sales service</b> .....	<b>73</b>

---

Closely follow the instructions set out in this manual. All responsibility, for any eventual inconveniences, damages or fires caused by not complying with the instructions in this manual, is declined. The extractor hood has been designed exclusively for domestic use.

**The hood can look different to that illustrated in the drawings in this booklet. The instructions for use, maintenance and installation, however, remain the same.**

- ! It is important to conserve this booklet for consultation at any moment. In the case of sale, cession or move, make sure it is together with the product.
- ! Read the instructions carefully: there is important information about installation, use and safety.
- ! Do not carry out electrical or mechanical variations on the product or on the discharge conduits.

**Note:** the elements marked with the symbol “(\*)” are optional accessories supplied only with some models or elements to purchase, not supplied.



**Caution  
WARNING!**

- ! Do not connect the appliance to the mains until the installation is fully complete.
- ! Before any cleaning or maintenance operation, disconnect hood from the mains by removing the plug or disconnecting the mains electrical supply.
- ! Always wear work gloves for all installation and maintenance operations. The appliance is not intended for use by children or persons with impaired physical, sensorial or mental faculties, or if lacking in experience or knowledge, unless they are under supervision or have been trained in the use of the appliance by a person responsible for their safety.
- ! This appliance is designed to be operated by adults, children should

---

be monitored to ensure that they do not play with the appliance.

- ! This appliance is designed to be operated by adults. Children should not be allowed to tamper with the controls or play with the appliance.
- ! Never use the hood without effectively mounted grating!
- ! The hood must NEVER be used as a support surface unless specifically indicated.
- ! The premises where the appliance is installed must be sufficiently ventilated, when the kitchen hood is used together with other gas combustion devices or other fuels.
- ! The ducting system for this appliance must not be connected to any existing ventilation system which is being used for any other purpose such as discharging exhaust fumes from appliances burning gas or other fuels.
- ! The flaming of foods beneath the hood itself is severely prohibited. The use of exposed flames is detrimental to the filters and may cause a fire risk, and must therefore be avoided in all circumstances.
- ! Any frying must be done with care in order to make sure that the oil does not overheat and ignite.
- ! Accessible parts of the hood may become hot when used with cooking appliance.
- ! With regards to the technical and safety measures to be adopted for fume discharging it is important to closely follow the regulations provided by the local authorities.
- ! The hood must be regularly cleaned on both the inside and outside (AT LEAST ONCE A MONTH).
- ! This must be completed in accordance with the maintenance instructions provided in this manual). Failure to follow the instructions provided in this user guide regarding the cleaning of the hood and filters will lead to the risk of fires.
- ! Do not use or leave the hood without the lamp correctly mounted due to the possible risk of electric shocks.

- 
- ! We will not accept any responsibility for any faults, damage or fires caused to the appliance as a result of the non-observance of the instructions included in this manual.
  - ! This appliance is marked according to the European directive
  - ! 2002/96/EC on Waste Electrical and Electronic Equipment (WEEE). By ensuring this product is disposed of correctly, you will help prevent potential negative consequences for the environment and human health, which could otherwise be caused by inappropriate waste handling of this product.
  - ! This appliance can be used by children aged under 8 and by persons with diminished physical, sensory or mental capacities, or persons without any experience or knowledge, provided that they are properly attended to or are given the instructions on how to use the appliance in complete safety and that any potential risks are anticipated.
  - ! Children must not play with this appliance. The appliance must not be cleaned and maintained by unattended children.
  - ! Warning: Failure to follow instructions for installation of screws or fasteners may result in electrical hazards.



---

The symbol on the product, or on the documents accompanying the product, indicates that this appliance may not be treated as household waste. Instead it should be taken to the appropriate collection point for the recycling of electrical and electronic equipment. Disposal must be carried out in accordance with local environmental regulations for waste disposal.

For further detailed information regarding the process, collection and recycling of this product please contact the appropriate department of your local authorities or the local department for household waste or the shop where you purchased this product.

## Use

The hood is designed to be used either for exhausting or filter version. The models with no suction motor only operate in ducting mode, and must be connected to an external suction device (not supplied).

The connecting instructions are supplied with the peripheral suction unit.



## Ducting version

In this case the fumes are conveyed outside of the building by means of a special pipe connected with the connection ring located on top of the hood. Attention!

The exhausting pipe is not supplied and must be purchased apart.

Diameter of the exhausting pipe must be equal to that of the connection ring. In the horizontal runs the exhausting pipe must be slightly slanted (about 10°) and directed upwards to vent the air easily from the room to the outside. Attention! If the hood is supplied with active charcoal filter, then it must be removed.

Connect the hood and discharge holes on the walls with a diameter equivalent to the air outlet (connection flange).

Using the tubes and discharge holes on walls with smaller dimensions will cause a diminution of the suction performance and a drastic increase in noise.

Any responsibility in the matter is therefore declined.

- ! Use a duct of the minimum indispensable length.
- ! Use a duct with as few elbows as possible (maximum elbow angle: 90°).
- ! Avoid drastic changes in the duct cross-section.
- ! Use a duct with an as smooth as possible inside.
- ! The duct must be made of certified material.

## Filter version



Active charcoal filter is needed for this and can be obtained from your usual retailer. The filter removes the grease and smells from the extracted air before sending it back into the room through the upper outlet grid.

---

## Warnings



The minimum distance between the supporting surface for the cooking equipment on the hob and the lowest part of the range hood must be not less than 55cm from electric cookers and 65cm from gas or mixed cookers.

If the instructions for installation for the gas hob specify a greater distance, this must be adhered to.

## Electrical connection



The mains power supply must correspond to the rating indicated on the plate situated inside the hood. If provided with a plug connect the hood to a socket in compliance with current regulations and positioned in an accessible area, after installation. If it not fitted with a plug (direct mains connection) or if the plug is not located in an accessible area, after installation, apply a double pole switch in accordance with standards which assures the complete disconnection of the mains under conditions relating to over-current category III, in accordance with installation instructions.

**Warning!** Before re-connecting the hood circuit to the mains supply and checking the efficient function, always check that the mains cable is correctly assembled.

The hood is provided with a special power cable; if the supply cord is damaged, it must be replaced by the manufacturer, its service agent or similarly qualified persons in order to avoid a hazard.

## Mounting

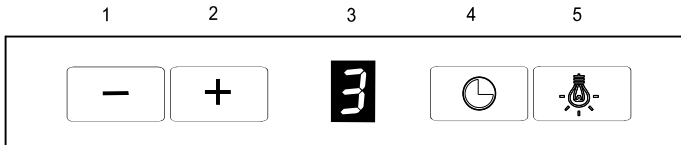
Expansion wall plugs are provided to secure the hood to most types of walls.

However, a qualified technician must verify suitability of the materials in accordance with the type of wall. The wall must be strong enough to take the weight of the hood. Do not tile, grout or silicone this appliance to the wall. Surface mounting only.

---

## Operation

Use the high suction speed in cases of concentrated kitchen vapours. It is recommended that the cooker hood suction is switched on for 5 minutes prior to cooking and to leave in operation during cooking and for another 15 minutes approximately after terminating cooking.



1. – Speed decrease
2. + Speed Increase
3. Display
4. Timer
5. ON/OFF lights

### LED dim function

By pressing the light button (5) for around 3 seconds led light starts to dim. The led light can be adjusted for 3 dim levels.

### Timer

Use off - timer to turn off the hood after a specified time. Use off timer to filter the fumes out of the air after cooking. Maximum delay time is 90 minutes. Touch „4" to cancel the off-timer at any time. The number „0" will flash on the display. Then use „1" and „2" to select the delay in the range 1-9 (multiply the number by ten to obtain delay in minutes, 1-10 minutes, 2-20 minutes... 5-50 minutes. Touch „4" again to activate the function. The off timer is set a dot will flash on by the digit on the display. Touch „4" to cancel the off - timer. Touch „1" to reduce the delay time down to zero. Touch „4" to confirm the off-timer has been cancelled.

Cancelling the off-timer does not turn off the lighting.

Speed 4 is a boost mode, after 5 minutes of operating in the boost mode, speed will be reduced to gear 3.

**Cautions:** Timer programming should be completed within 20 second, otherwise no action will be taken, and the hood will resume operations in normal mode.

---

## Maintenance

**ATTENTION!** Before performing any maintenance operation, isolate the hood from the electrical supply by switching off at the connector and removing the connector fuse. Or if the appliance has been connected through a plug and socket, then the plug must be removed from the socket.

### Cleaning

The cooker hood should be cleaned regularly (at least with the same frequency with which you carry out maintenance of the grease filters) internally and externally. Clean using the cloth dampened with neutral liquid detergent. Do not use abrasive products.

### DO NOT USE ALCOHOL!

**WARNING!:** Failure to carry out the basic cleaning recommendations of the cooker hood and replacement of the filters may cause fire risks.

Therefore, we recommend observing these instructions. The manufacturer declines all responsibility for any damage to the motor or any fire damage linked to inappropriate maintenance or failure to observe for above safety recommendations.

### Grease filter

Traps cooking grease particles. This must be cleaned once a month using non aggressive detergents, either by hand or in the dishwasher, which must be set to a low temperature and a short cycle. When washed in a dishwasher, the grease filter may discolour slightly, but this does not affect its filtering capacity.

To remove the grease filter, pull the spring release handle.

### Charcoal filter (filter version only)

It absorbs unpleasant odours caused by cooking. The saturation of the charcoal filter occurs after more or less prolonged use, depending on the type of cooking and the regularity of cleaning of the grease filter. In any case it is necessary to replace the cartridge at least every four months. The charcoal filter may NOT be washed or regenerated.

**REPLACING LAMPS !** The hood is equipped with a lighting system based on LED technology. The LED's guarantee an optimum lighting, a duration up to 10 times as long as the traditional lamps and allow to save 90 % electrical energy.

For replacement, contact the technical service.



---

## Troubleshooting

<b>SYMPTOMS</b>	<b>SOLUTIONS</b>
The hood is not working...	Ensure that: <ul style="list-style-type: none"><li>• The power is not cut off.</li><li>• A speed has been selected.</li></ul>
The hood is not operating effectively...	Ensure that: <ul style="list-style-type: none"><li>• The selected motor speed is sufficient for the quantity of smoke and vapours to be cleared.</li><li>• The kitchen is sufficiently ventilated to allow for fresh air intake.</li><li>• The air pipe circuit involves a lack of efficiency of the cooker hoods. Contact a qualified technician.</li><li>• The carbon filter is not worn (hood operating in recycling mode).</li></ul>
The hood is not working...	Ensure that: <ul style="list-style-type: none"><li>• The power is not cut off.</li><li>• The single-pole cut off device was not activated.</li></ul>

### After sales service

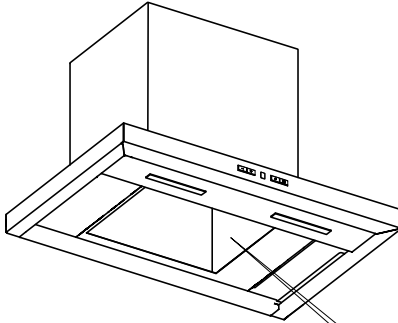
Any maintenance on your equipment should be undertaken by:

- either your dealer,
- or another qualified mechanic who is an authorized agent for the brand appliances.

When making an appointment, state the full reference of your equipment (model, type and serial number).

This information appears on the manufacturer's nameplate attached to your equipment.

## After sales service



<b>De Dietrich</b> 	
Model:	
Service code:	
Supplier code:	
Supply voltage:	220-240V- 50/60Hz
Motor power:	
Lighting:	
Power track:	
Service code - CB88326 F	
1996 CEDEX PONTOSE CEDEX	
GB Importer	
AB Distributors	
2 Green Place The Gasworks Ormeau Road	
Belfast BT7 2JB	
Made in Poland	EN 60335-2-31
  	