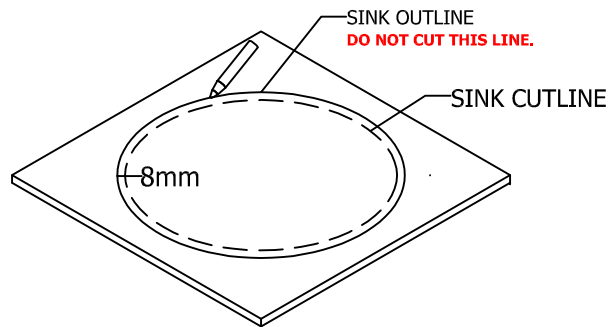
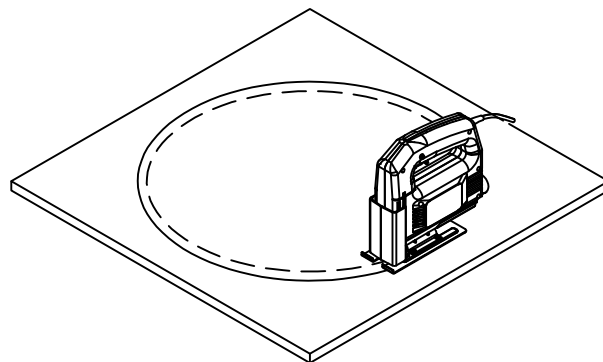


ROG 610-41 Installation Instructions.

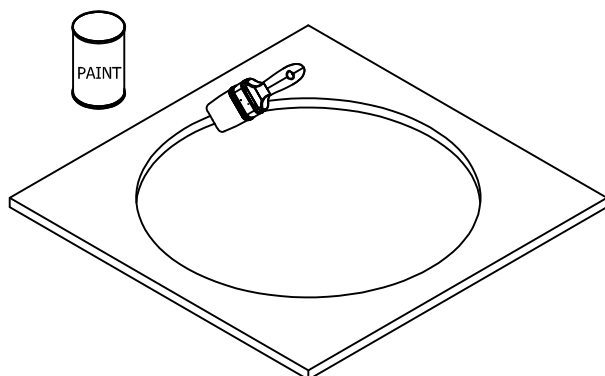
- 1 To position Sink/Basin on worktop, place upside down on Worktop and mark position on worktop. Offset the line 8mm inwards and mark cutline.



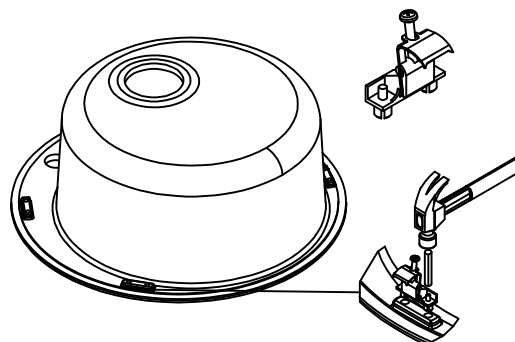
- 2 Cut the inside line on the worktop with your Saw.



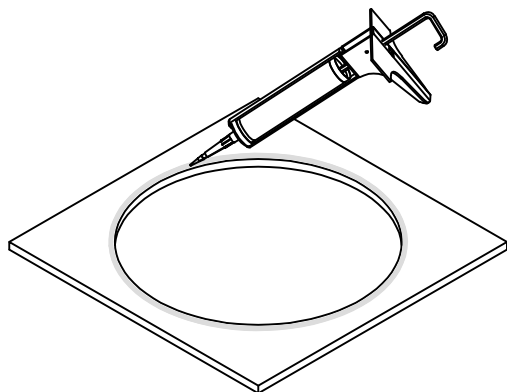
- 3 To Seal around edge of the Worktop cutout, Paint edge with enamel paint.



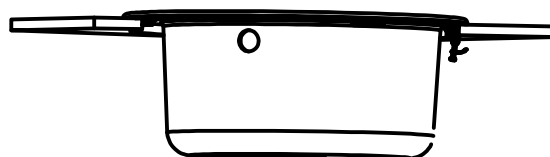
- 4 Fix Sink Clips to underside of Sink/Basin by knocking the Clip Pin into hole on the underside of Sink. Use a hammer and a length of Bar or the back of a screw driver.



- 5 Put a bead of Sealant around the top edge of cutout to seal the Sink/Basin to the Worktop and to stop water from Leaking into your cupboard.



- 6 Place Sink/Basin into Worktop, position it Correctly.



- 7 Fasten Sink Clips to underside of Worktop. Leave for 12-24 hours for Sealant to set before starting on the plumbing.

